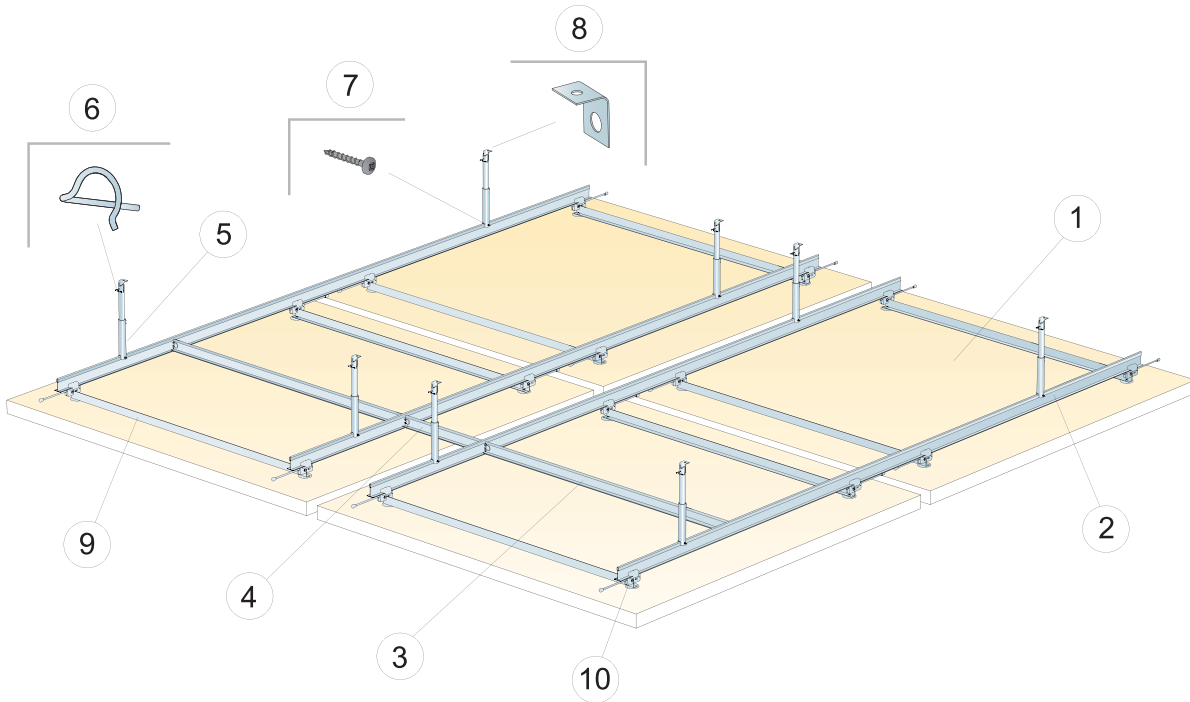


# Master<sup>™</sup> Matrix

600x1200, 600x2400, 1200x1200, 2400x1200

**M344**

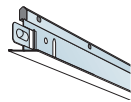


1. Master Matrix 600x1200 / 600x2400 / 1200x1200 / 2400x1200

6. Pin (included in Connect Tube hanger)



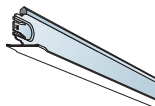
2. Connect T24 Main runner



7. Connect Installation screw MVL



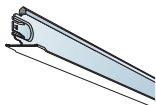
3. Connect T24 Cross tee, L=900



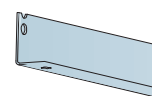
8. Connect Fixing plate C3



4. Connect T24 Cross tee, L=300



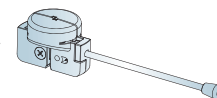
9. Connect Panel cross bar

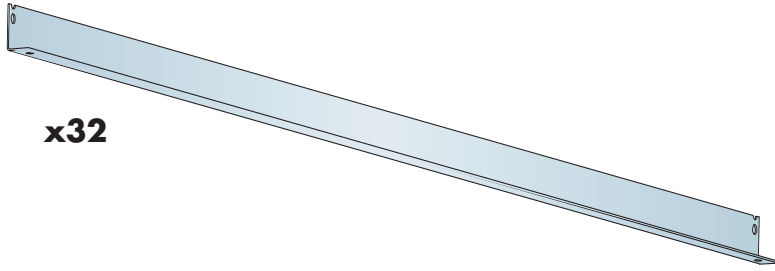


5. Connect Tube hanger



10. Connect Panel connector

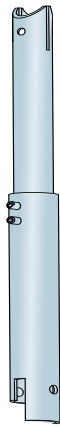




**x32**



**x64**



**x12**



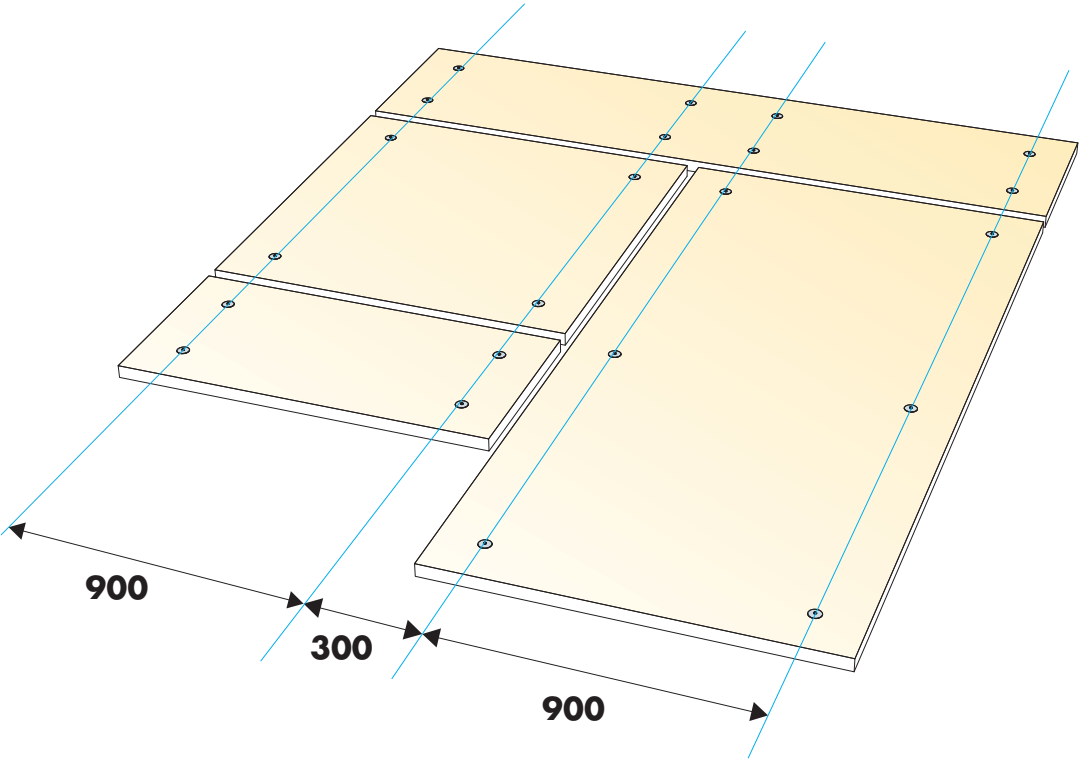
**x12**

**Ecophon**<sup>®</sup>  
SAINT-GOBAIN

A SOUND EFFECT ON PEOPLE

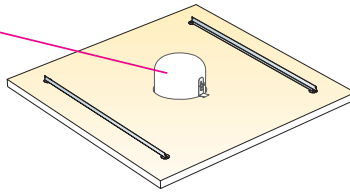
[www.ecophon.com](http://www.ecophon.com)

**Installation direction**





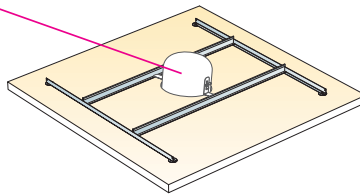
≤ 0.25 kg



→ 23

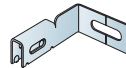


0.25-3.0 kg

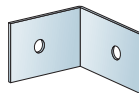


→ 27

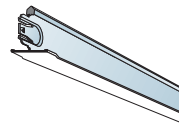
Connect Wall bracket



Connect Angle bracket



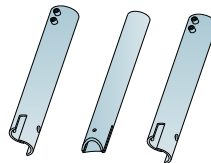
Connect T24 Cross tee, L=1200



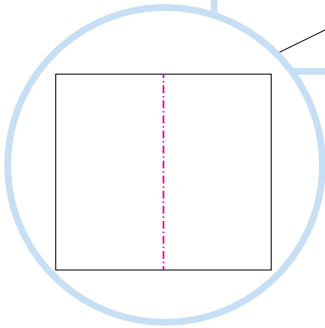
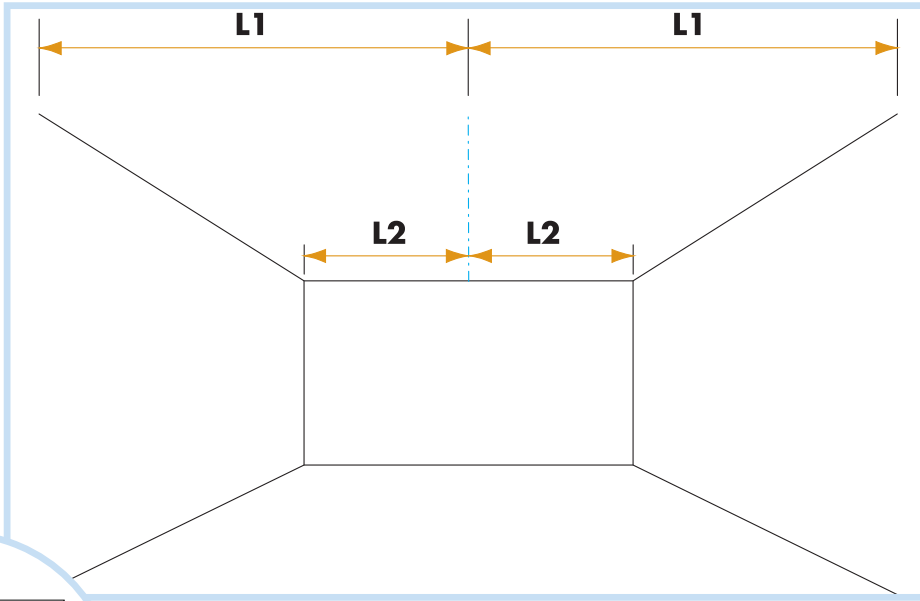
Connect Installation screw BR



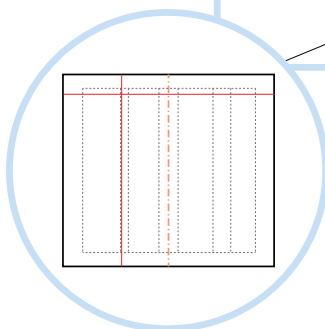
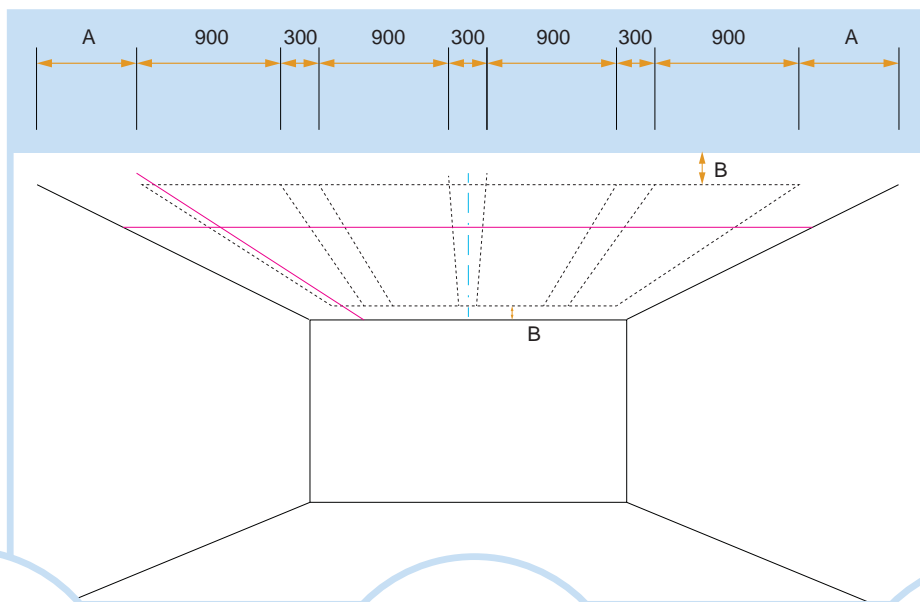
Connect Tube hanger



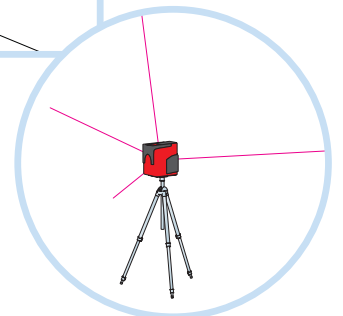
**1**



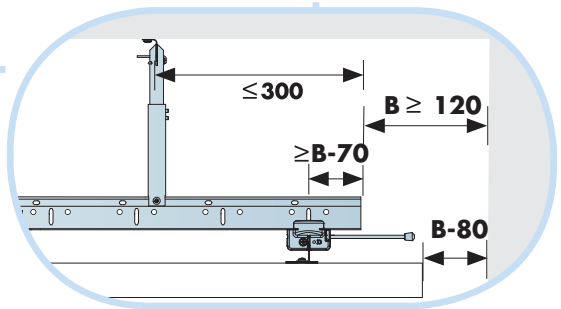
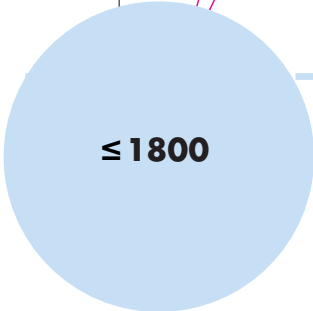
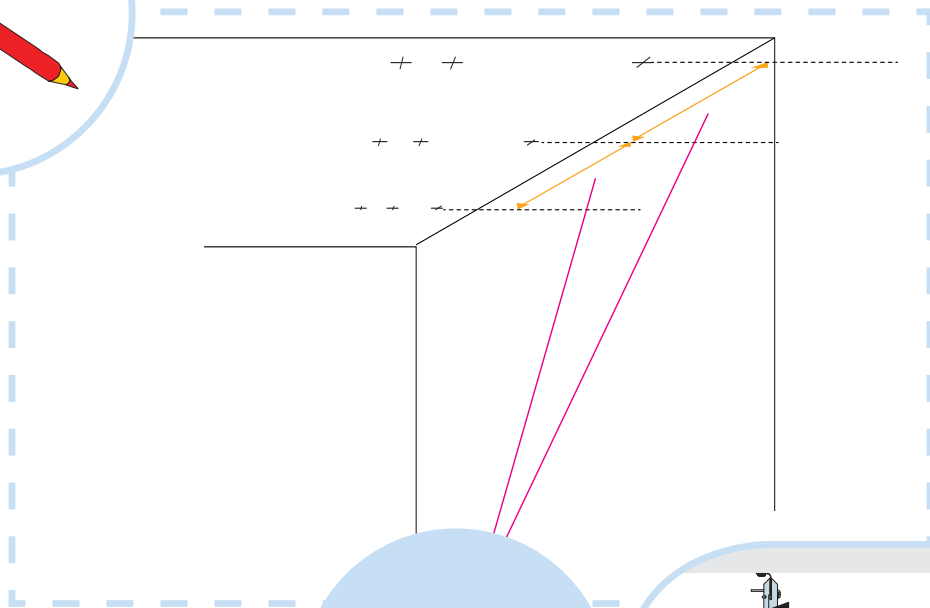
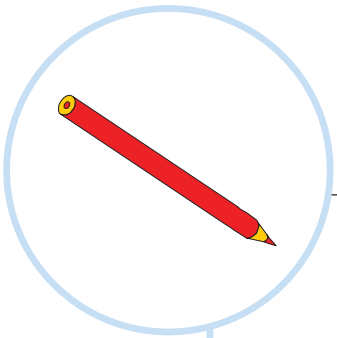
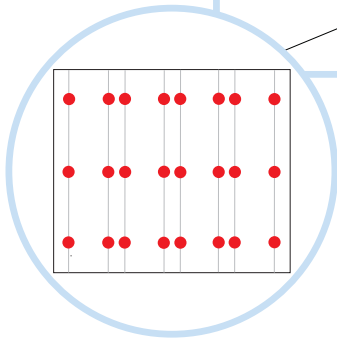
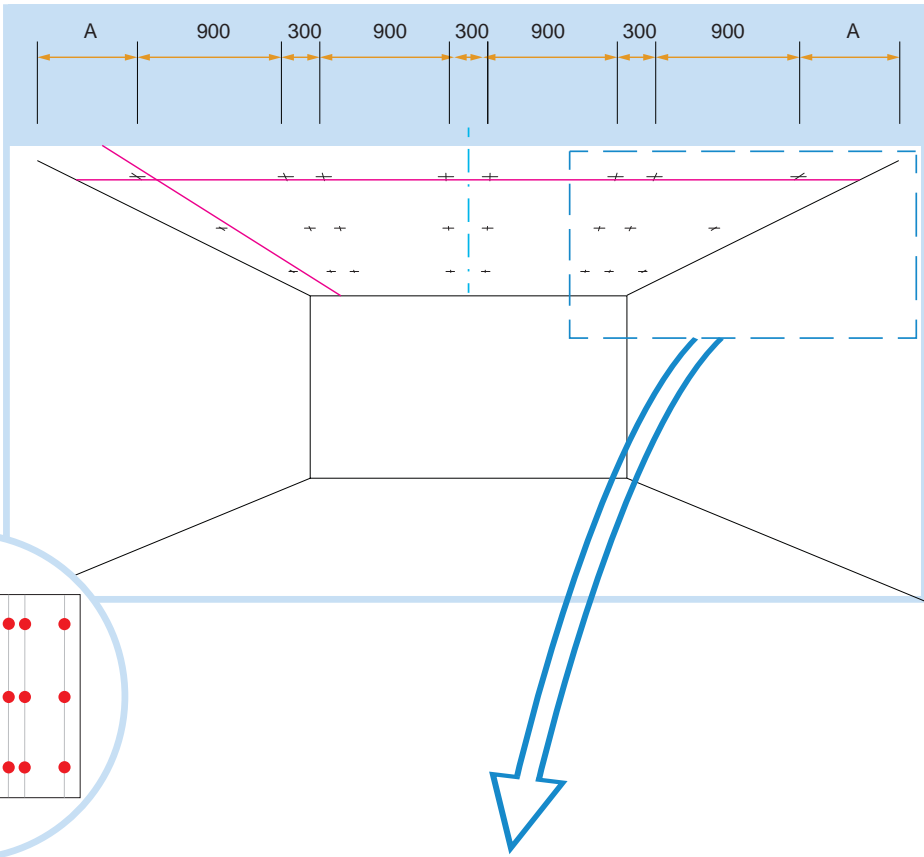
**2**

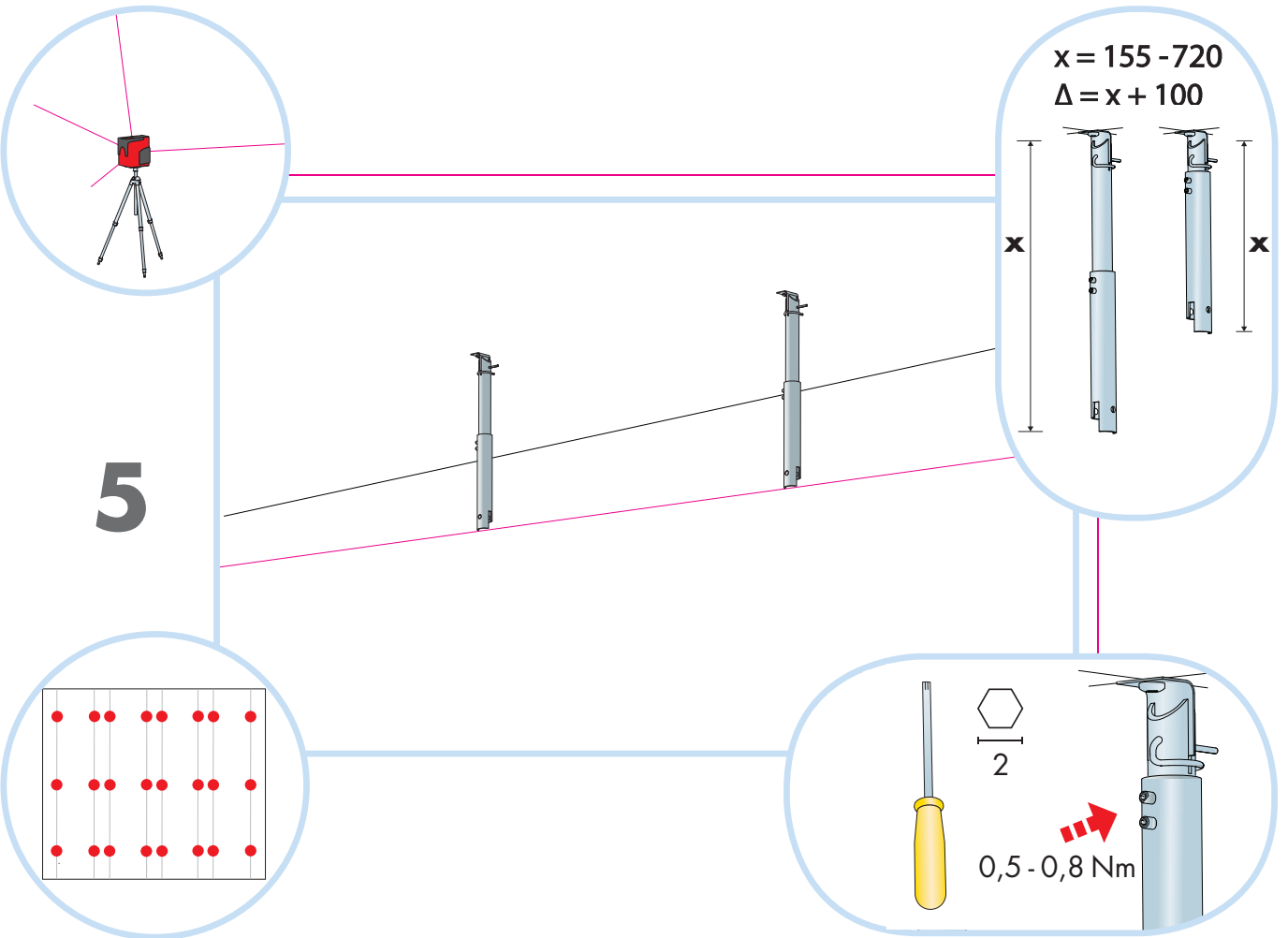
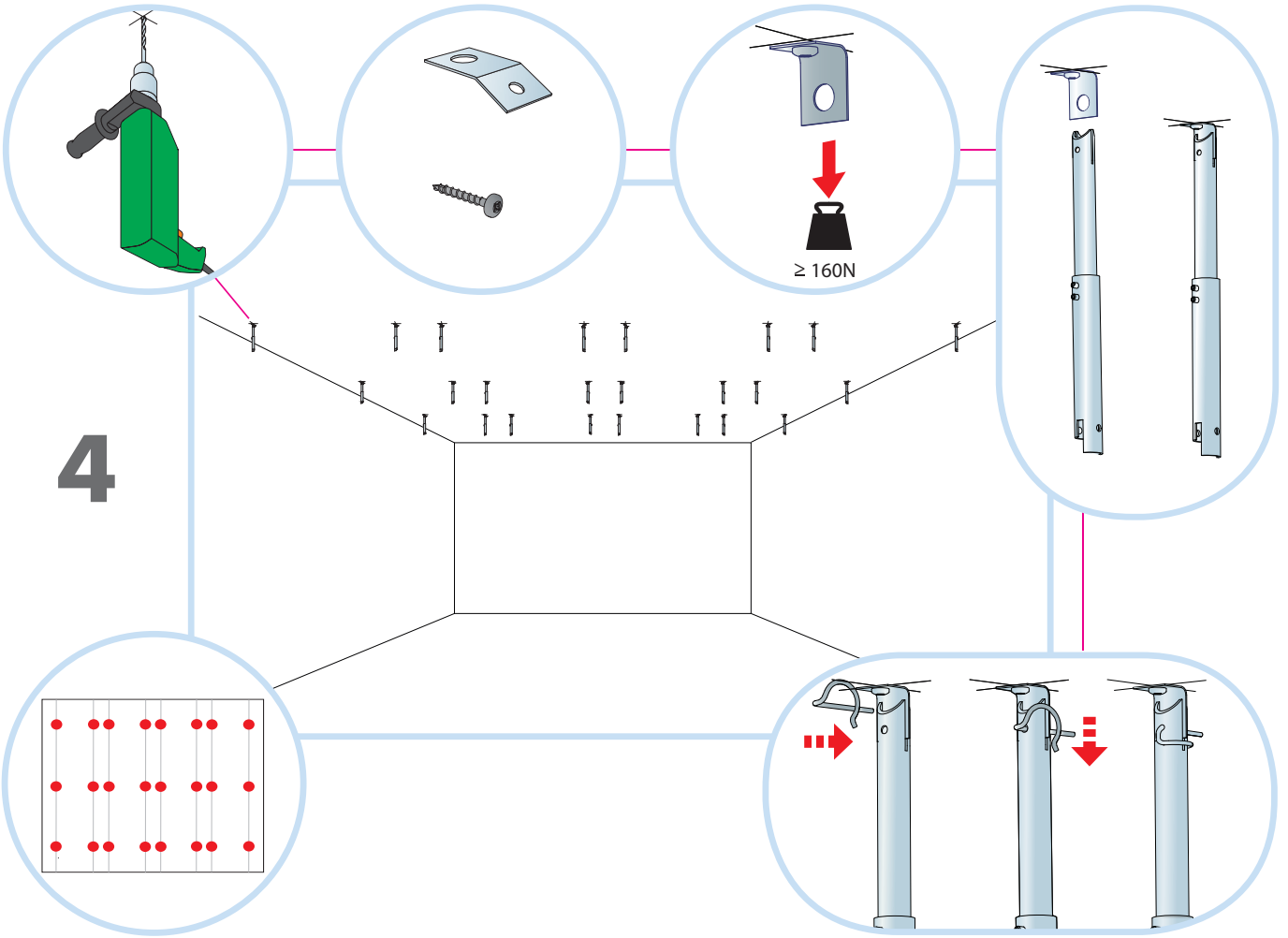


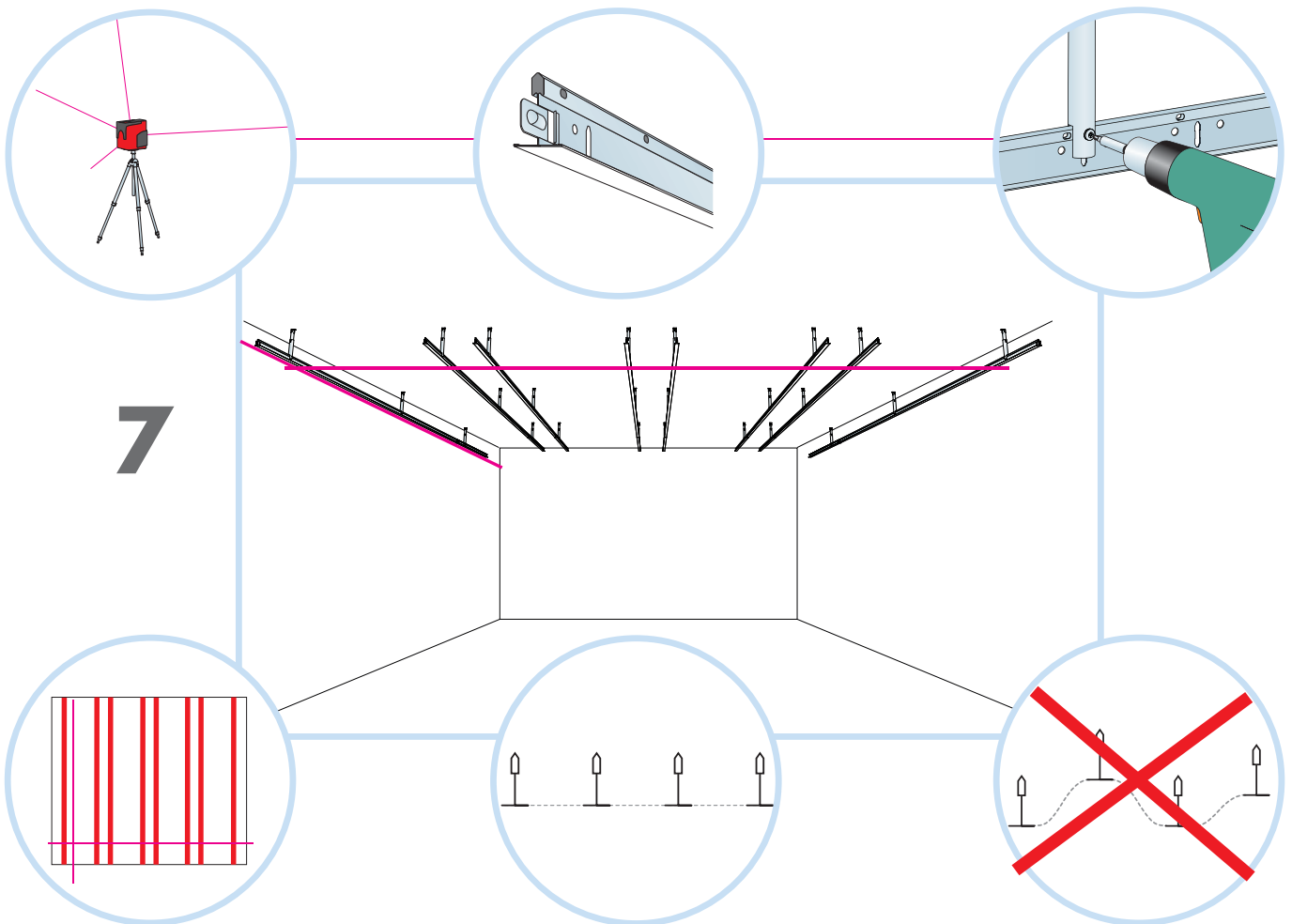
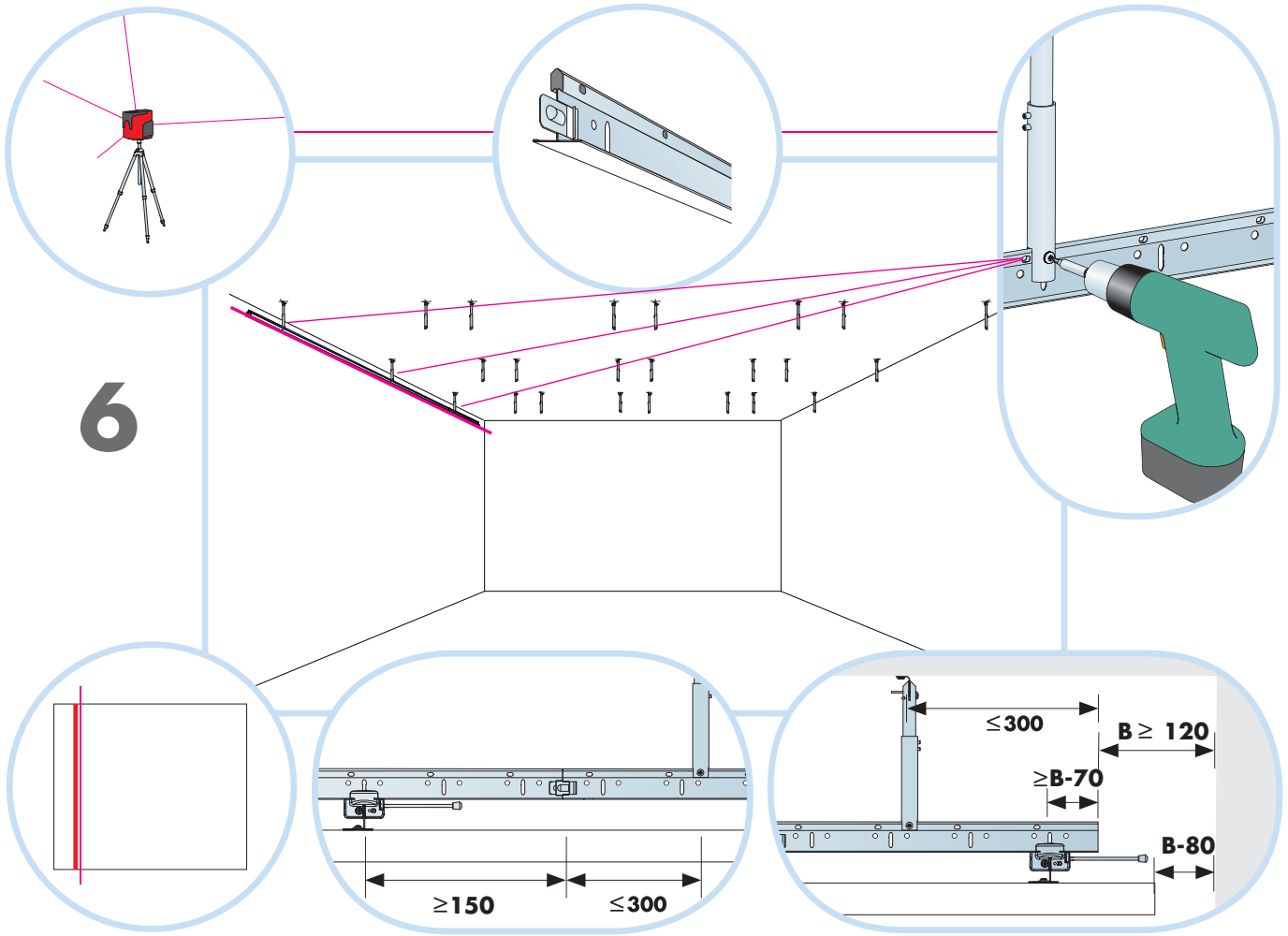
**$A \geq 170$**   
 **$B \geq 120$**



**3**

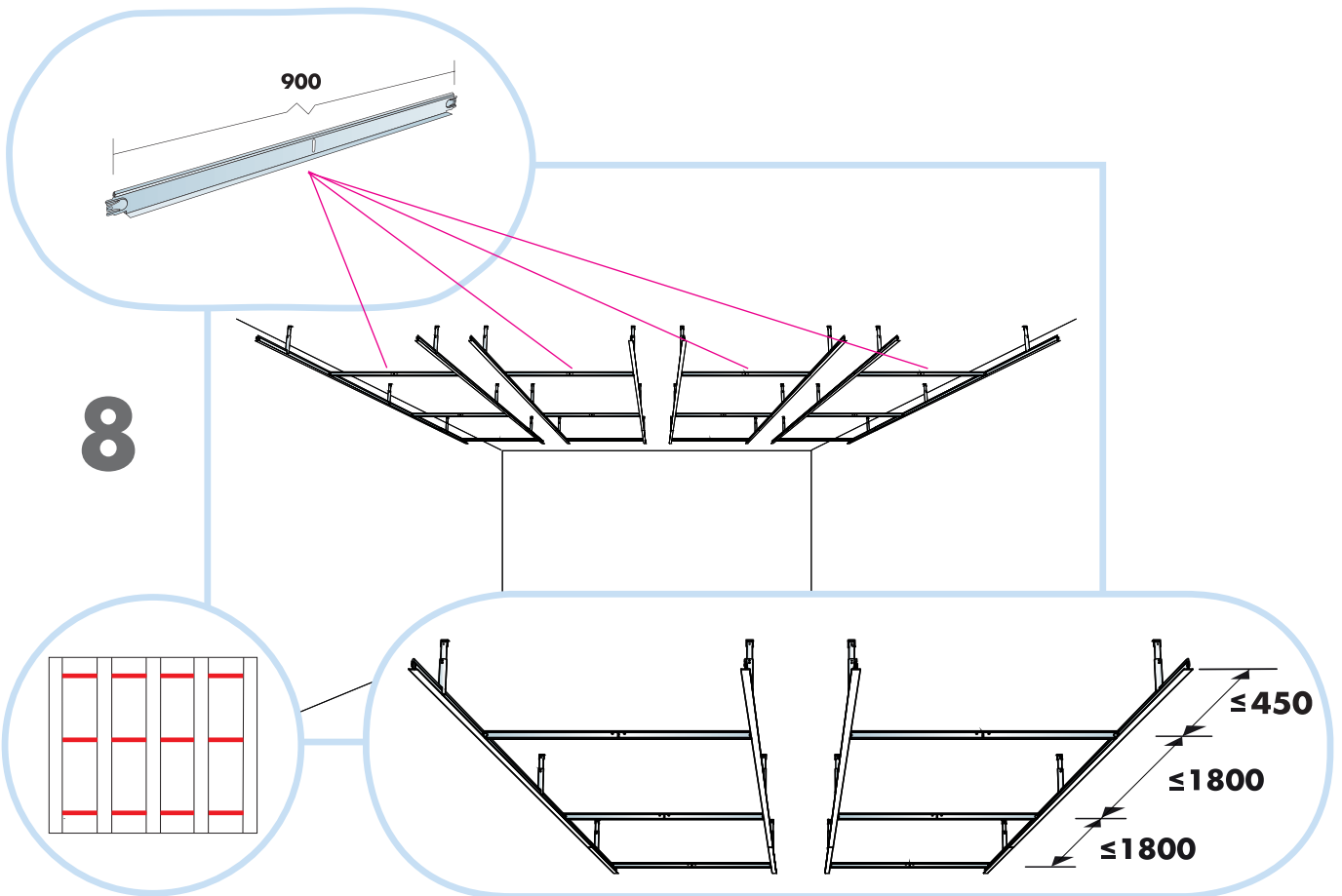
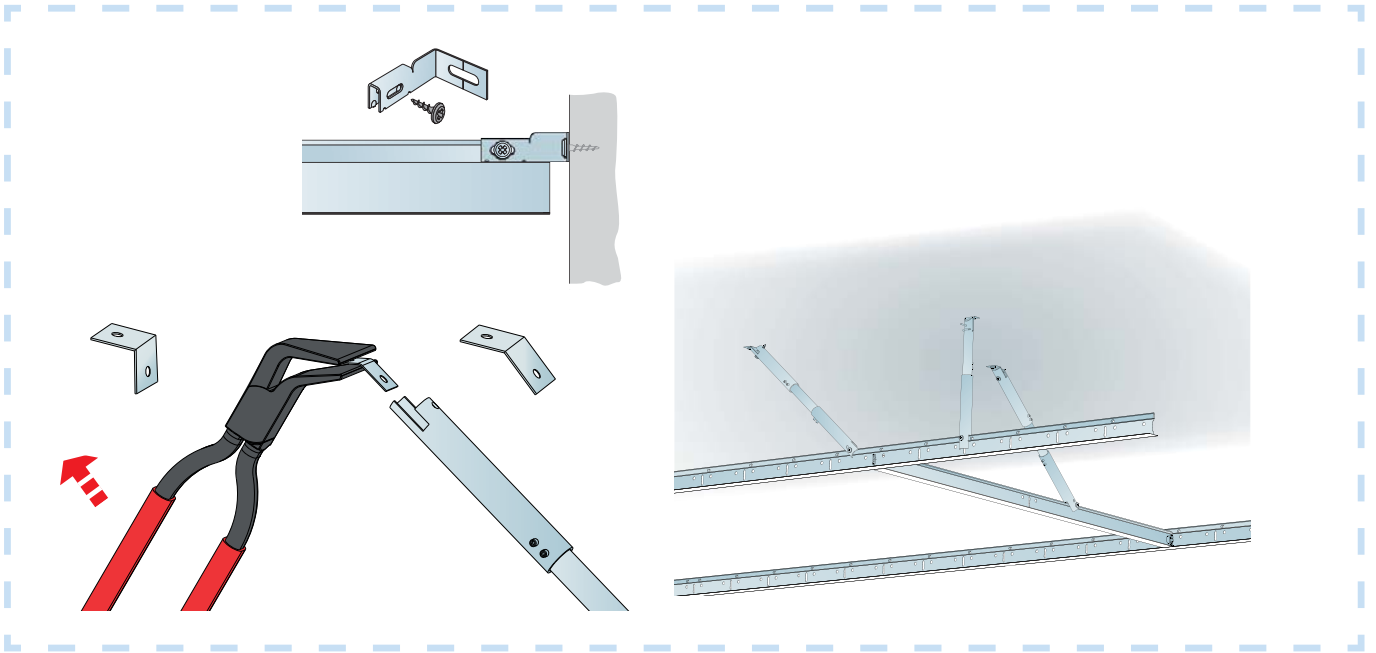








Alt

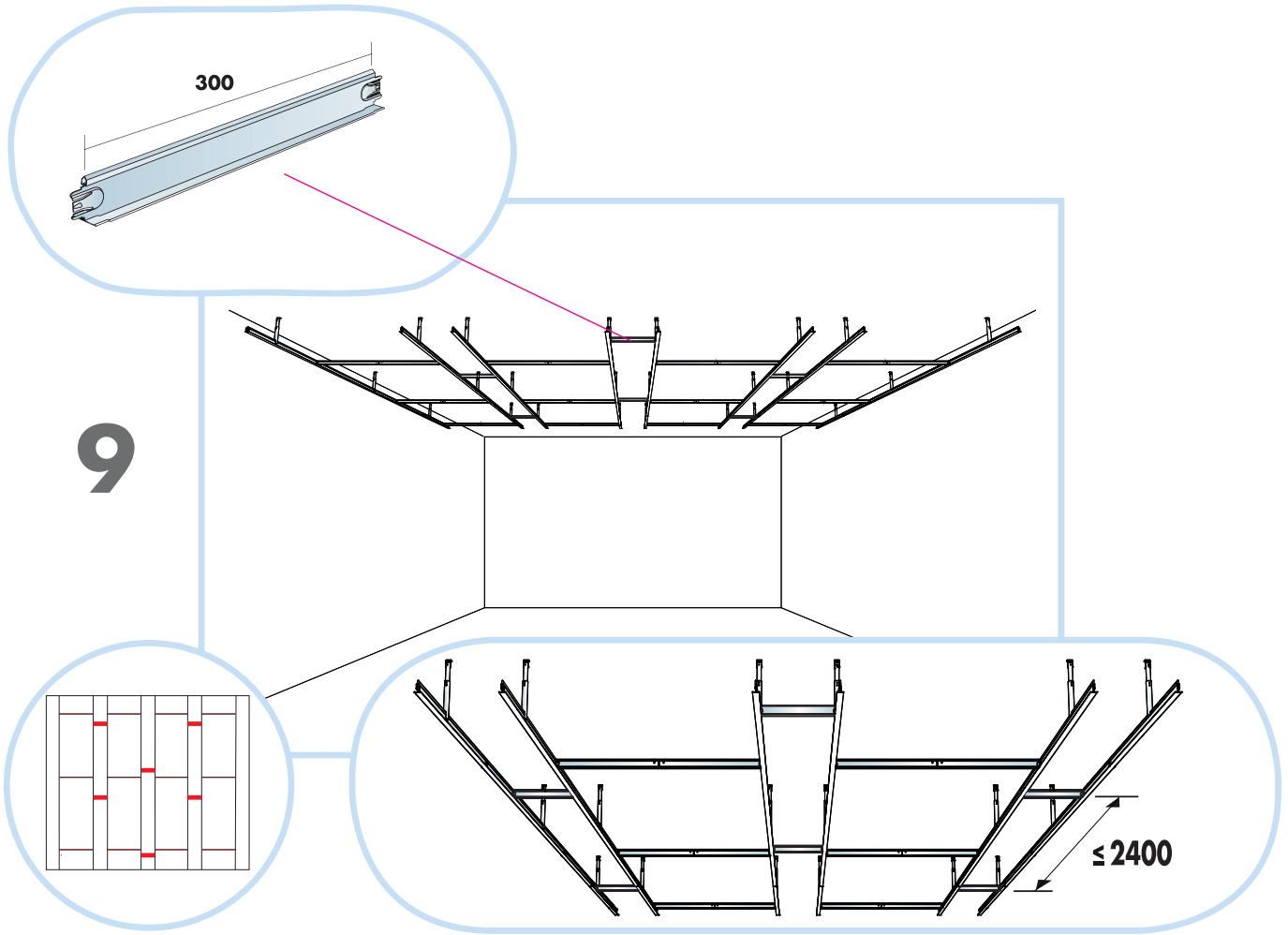


600x1200/600x2400/1200x1200

→ 9

2400x1200

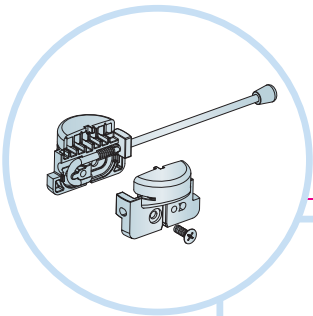
→ 19



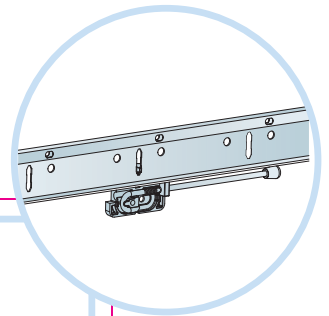
600x1200 → 10

600x2400 → 13

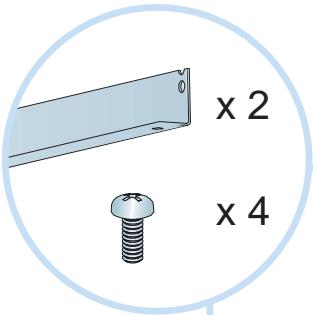
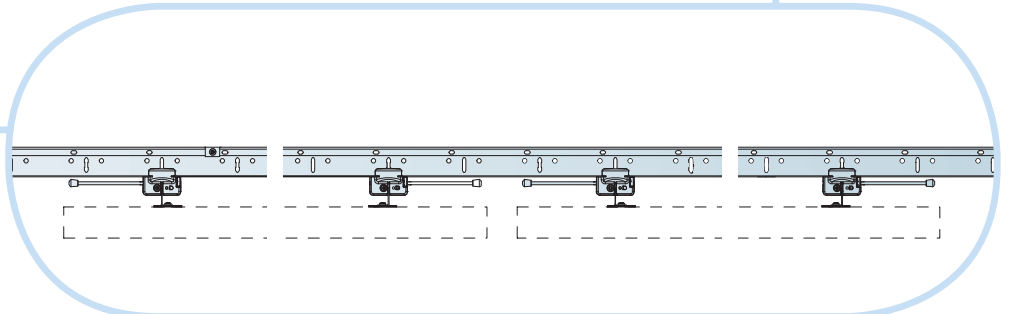
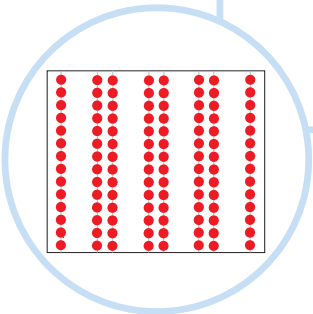
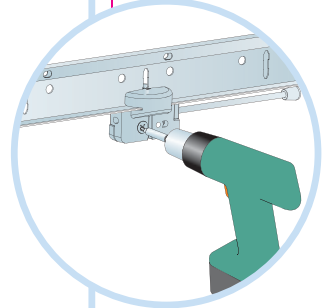
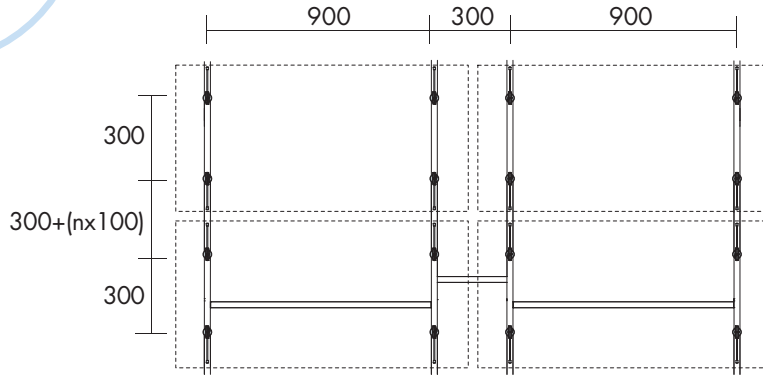
1200x1200 → 16



600x1200



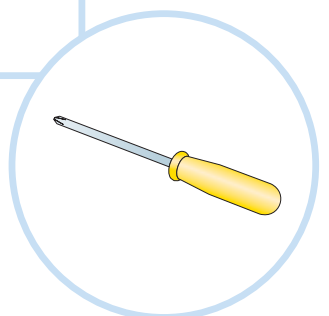
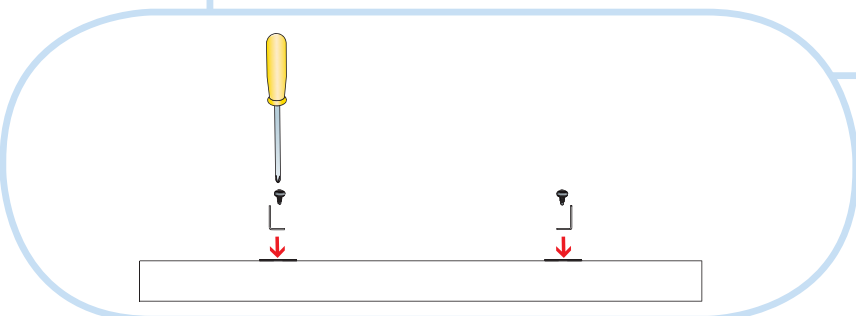
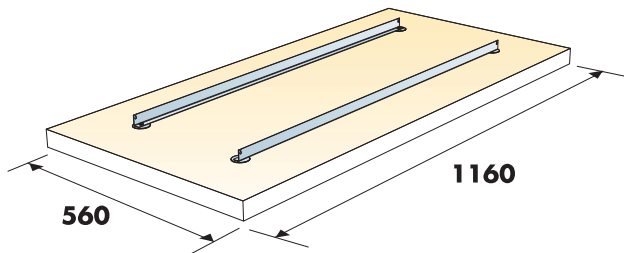
10



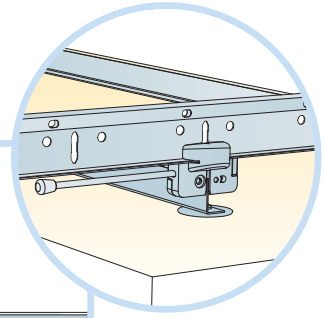
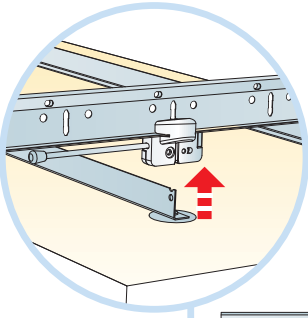
600x1200



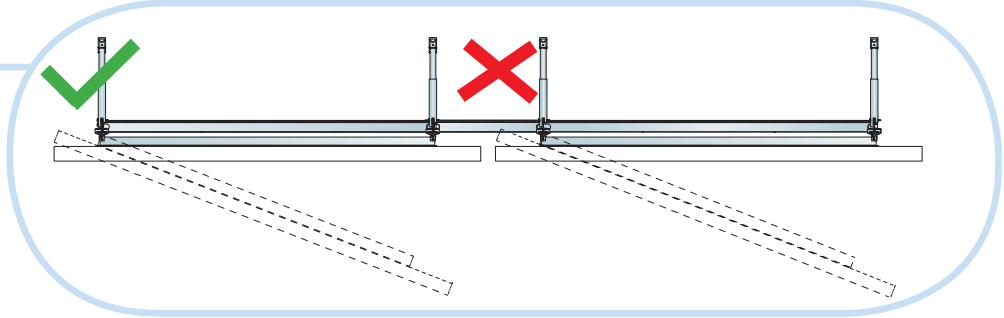
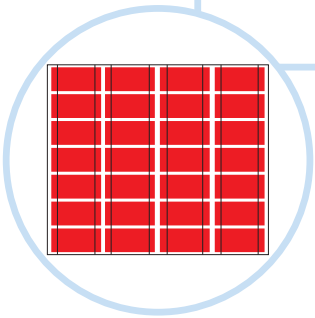
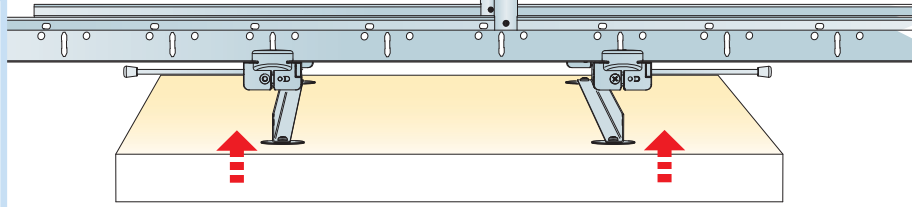
11



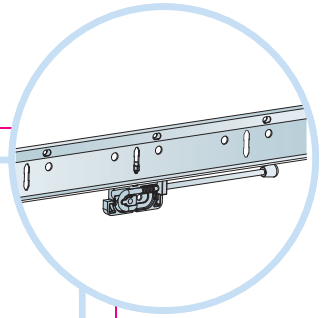
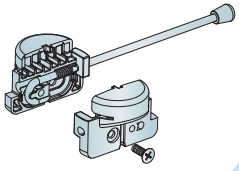
600x1200



12



600x2400

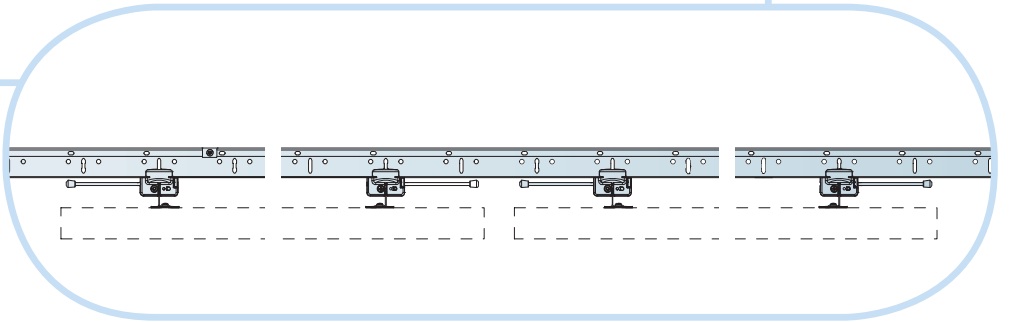
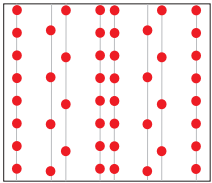
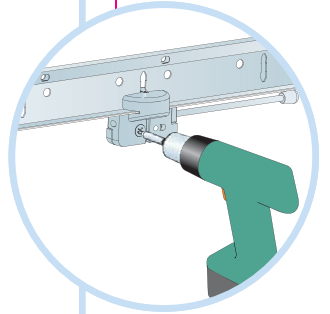
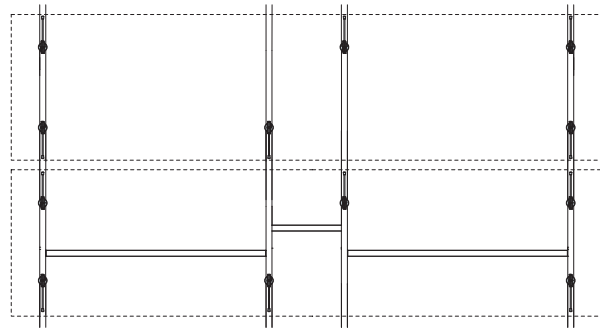


13

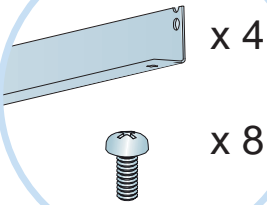
300+(nx100)

300  
300

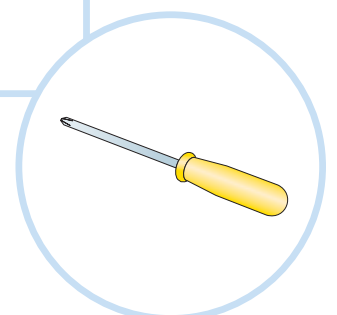
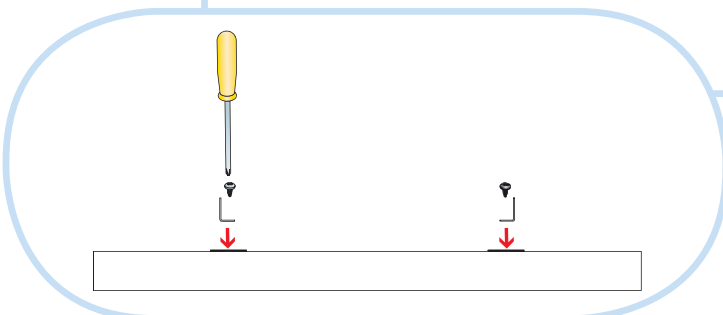
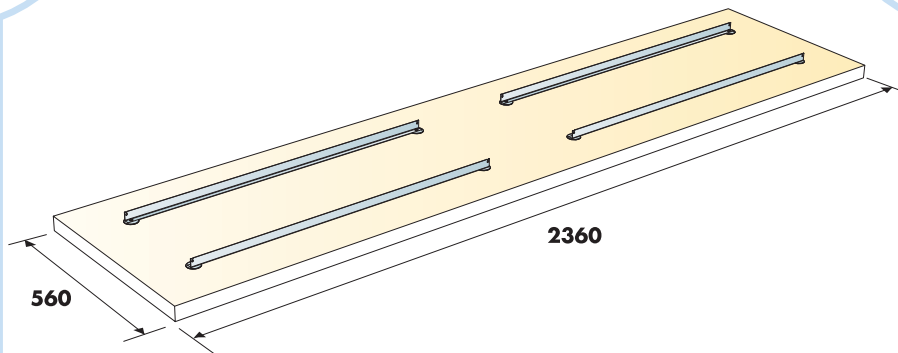
900 300 900



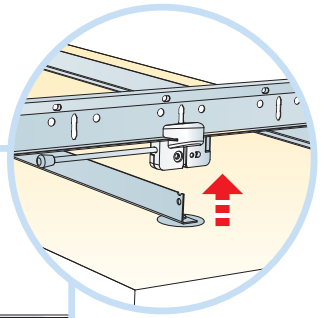
600x2400



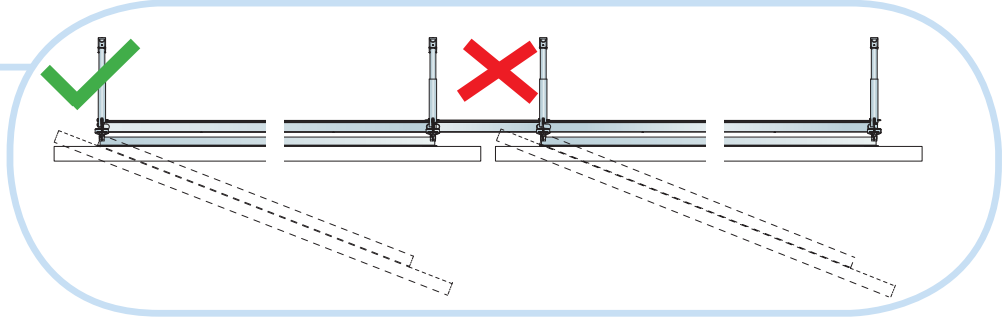
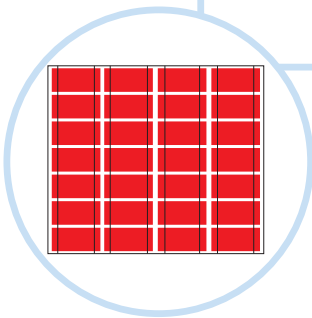
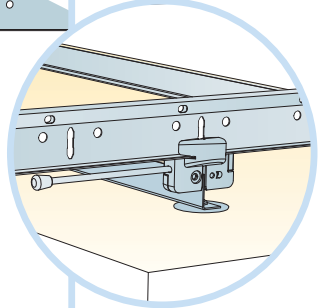
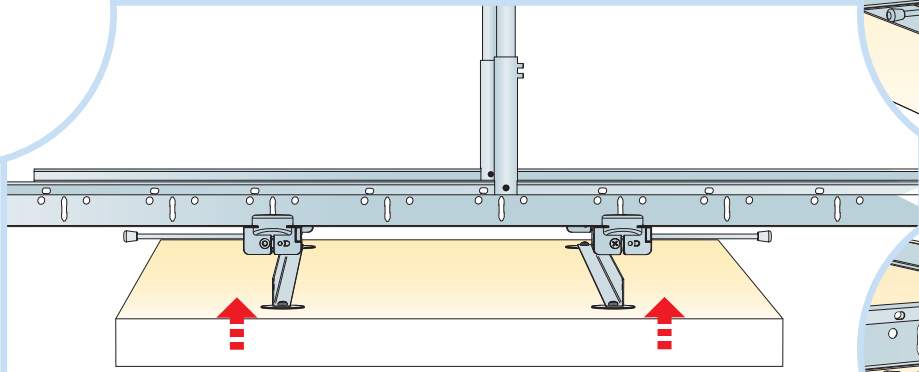
14



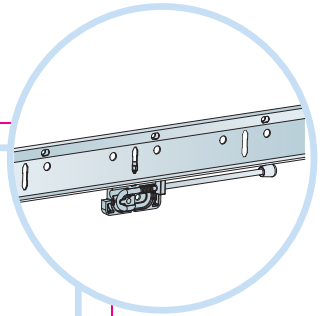
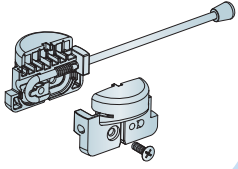
600x2400



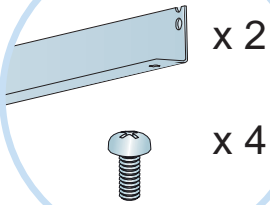
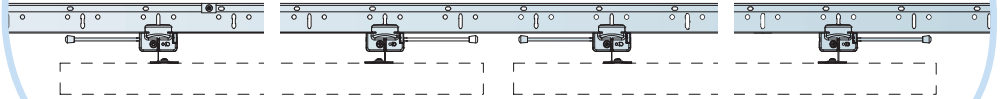
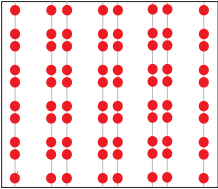
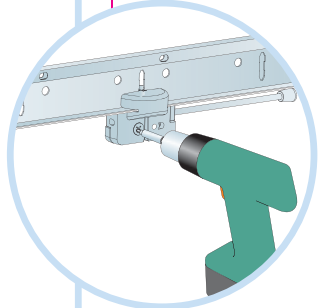
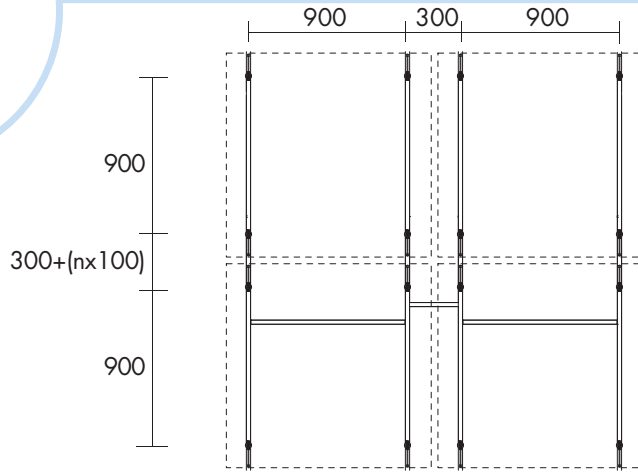
15



1200x1200



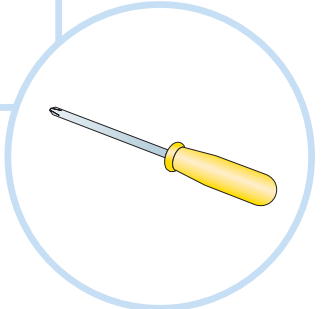
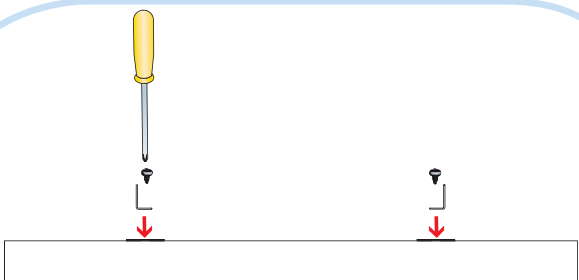
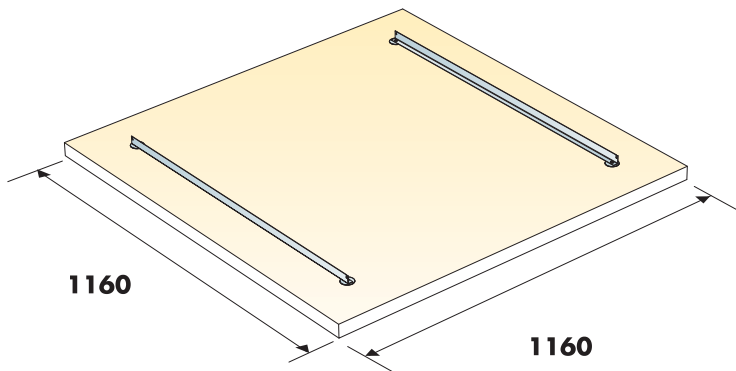
16



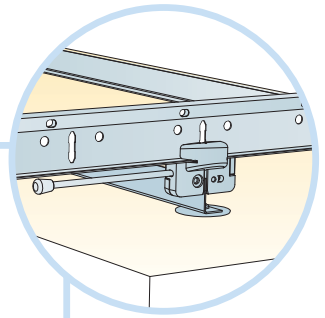
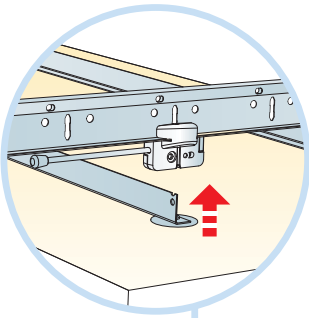
1200x1200



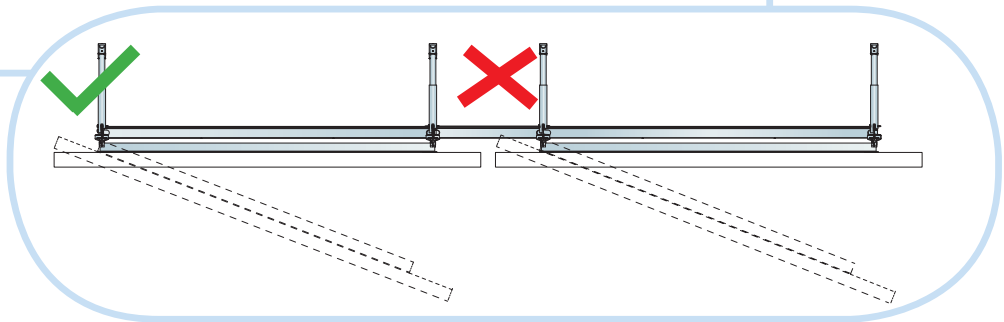
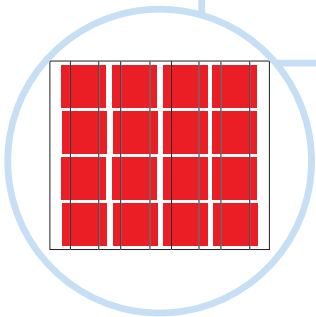
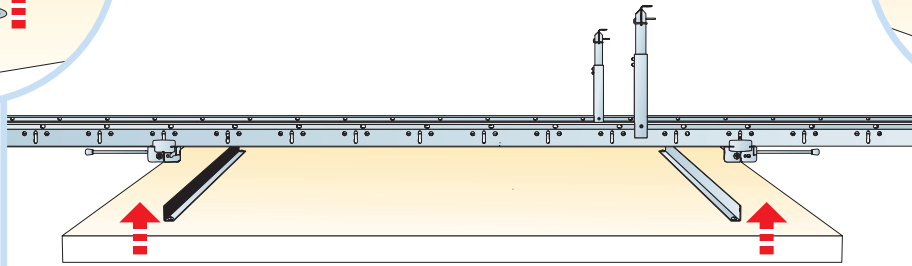
17



1200x1200



18

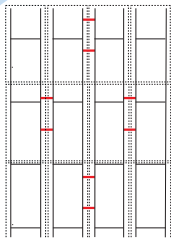
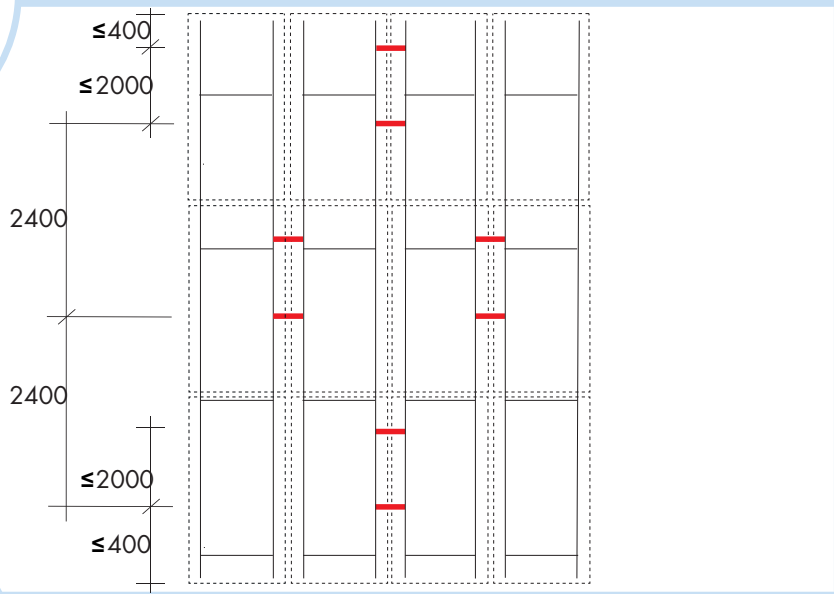




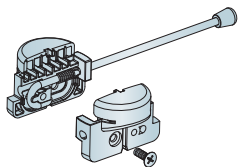
2400x1200

300

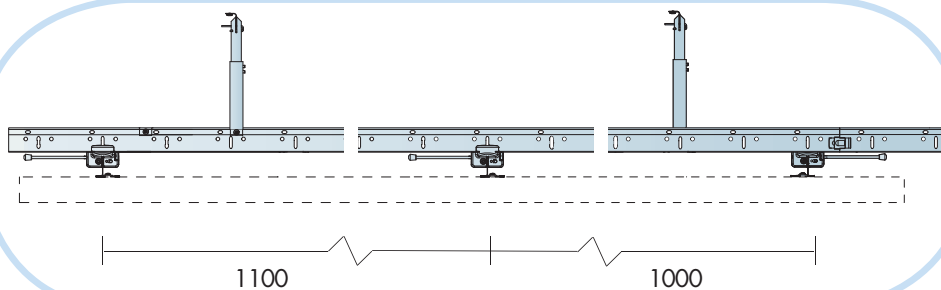
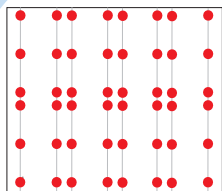
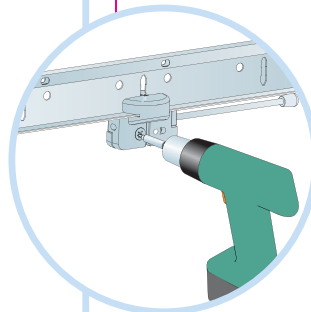
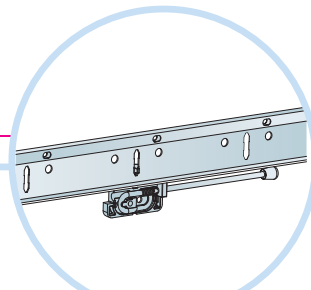
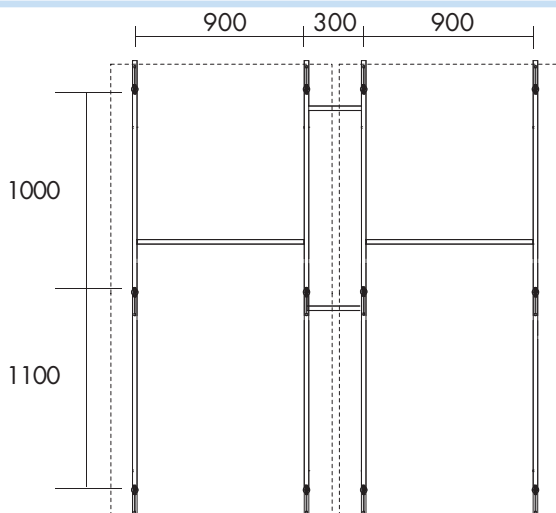
19

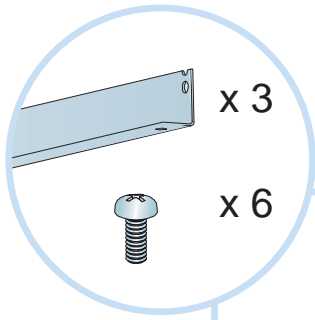


2400x1200



20

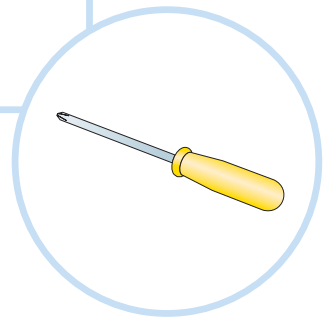
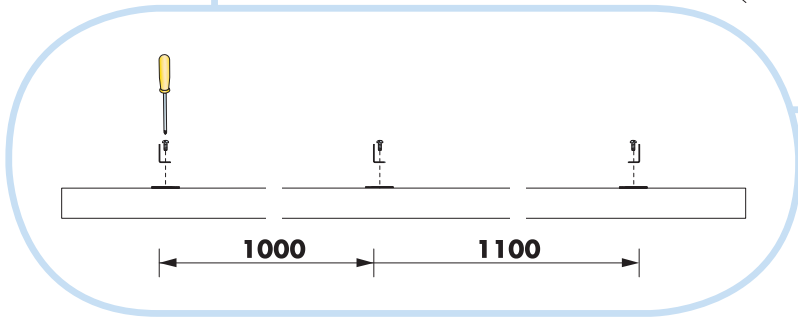
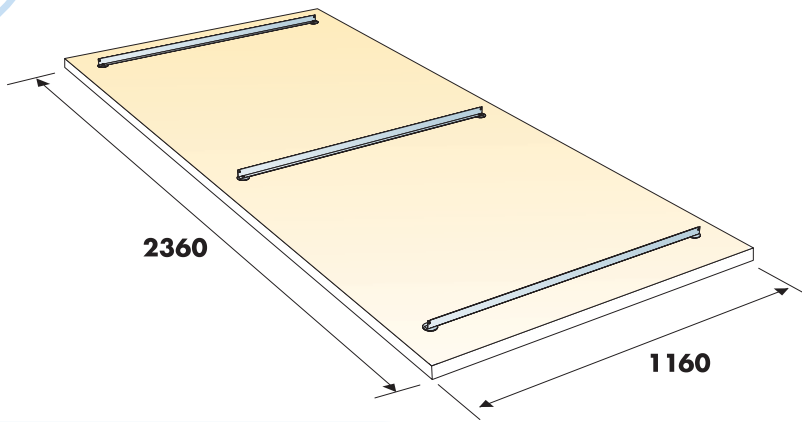




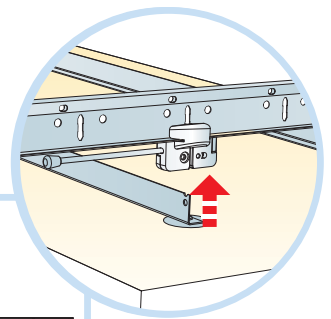
2400x1200



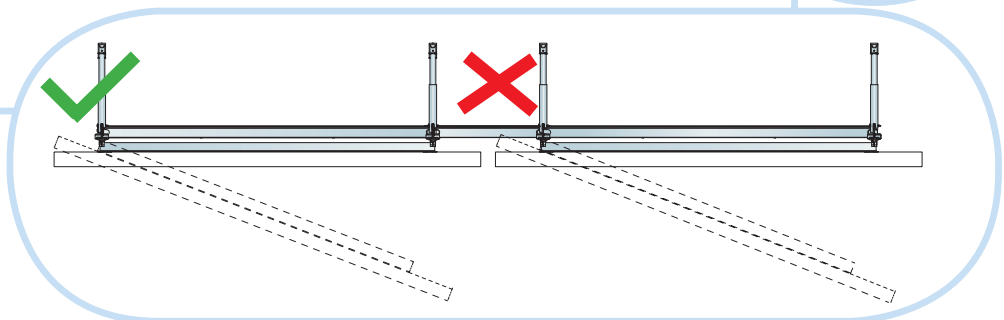
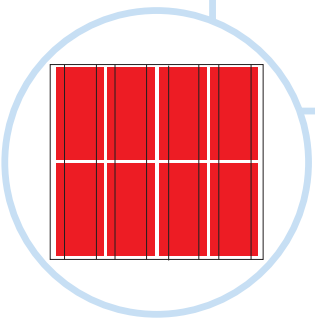
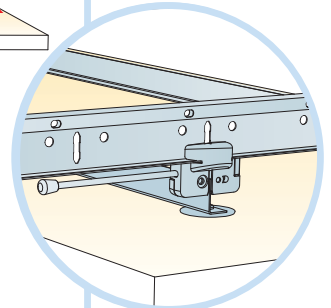
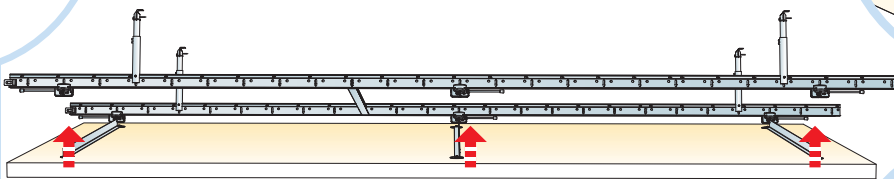
21

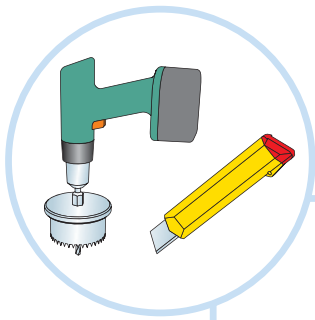


2400x1200



22



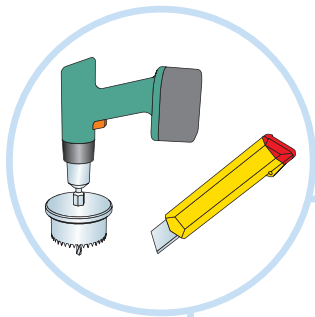
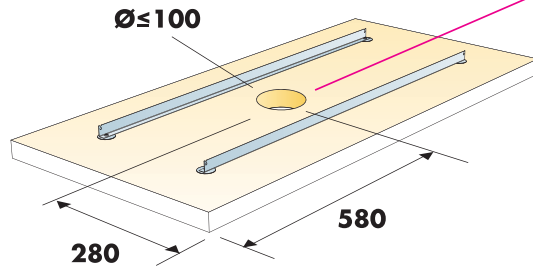


600x1200



≤0.25 kg

23

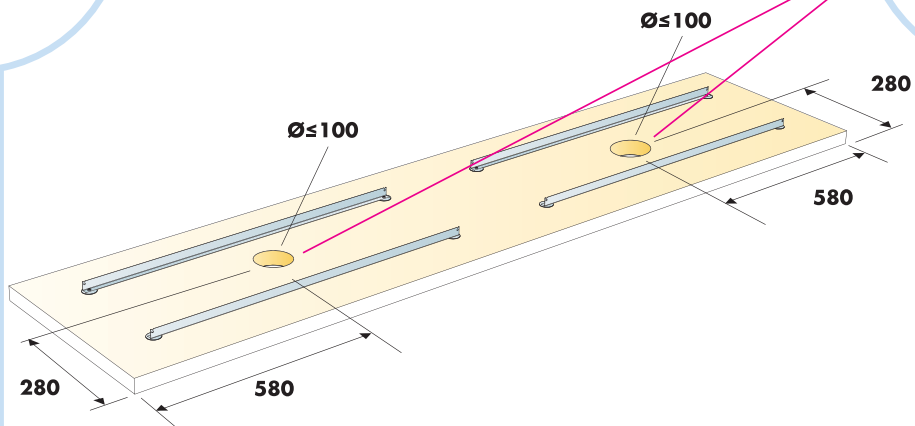


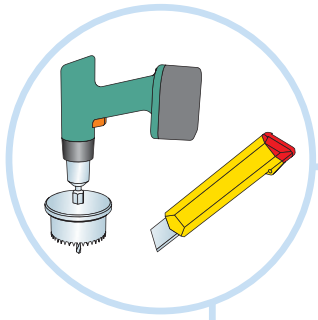
600x2400



≤0.25 kg

24



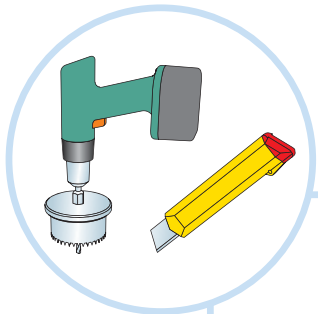
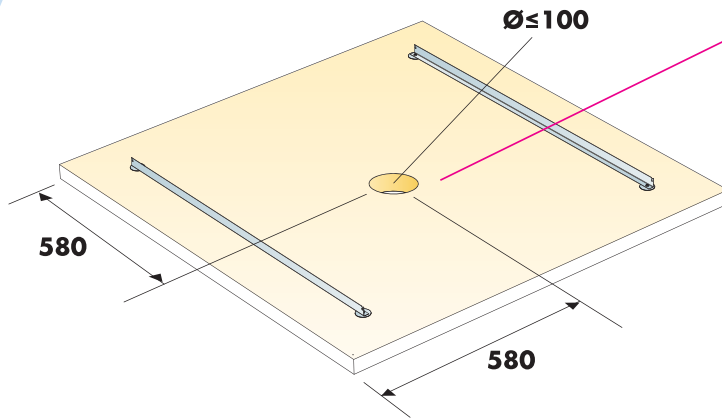


1200x1200



≤0.25 kg

25

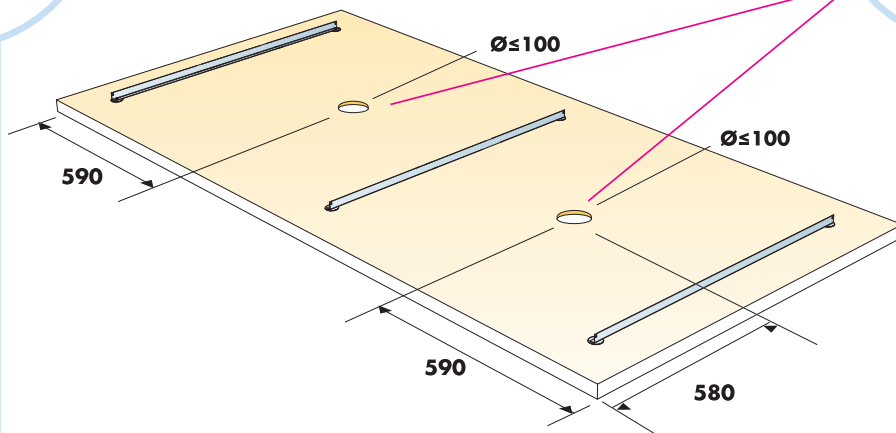


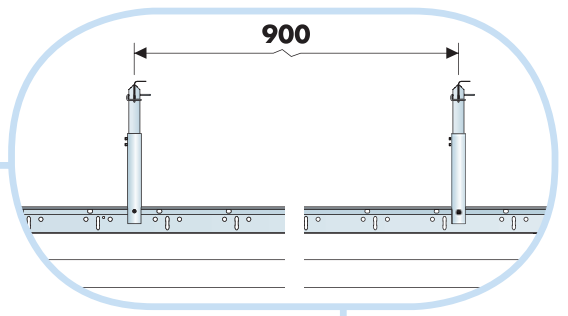
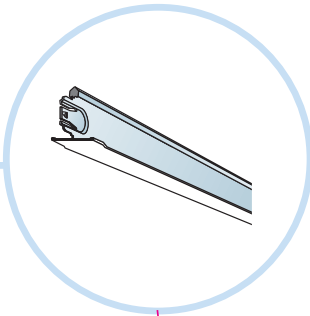
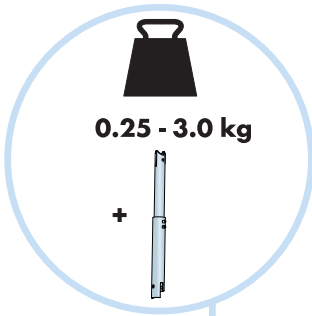
1200x2400



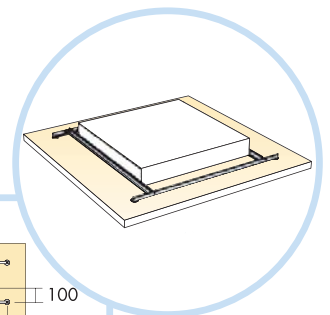
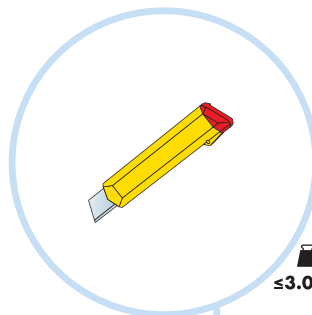
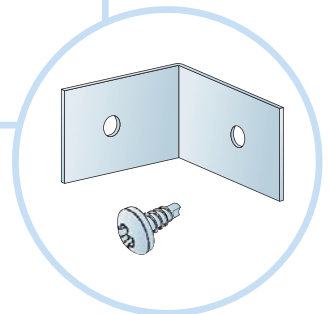
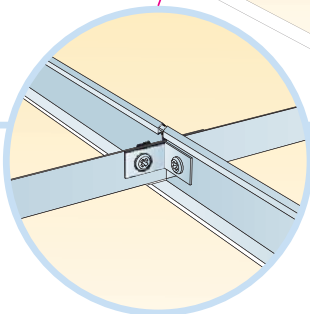
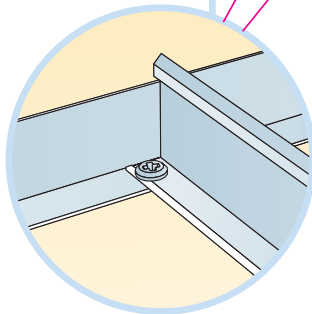
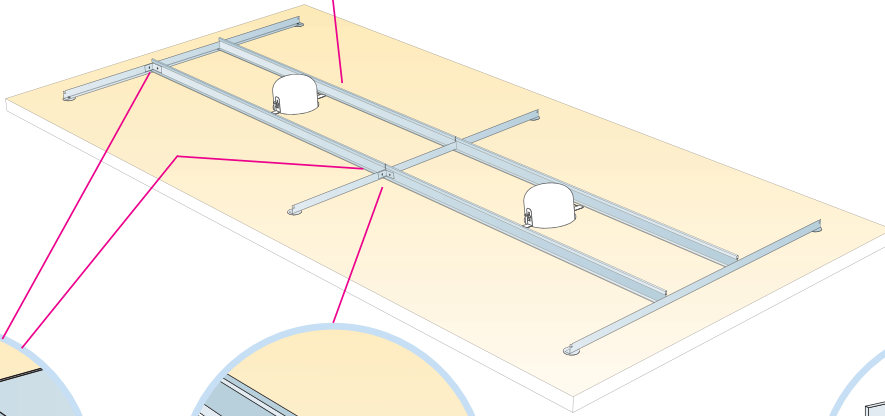
≤0.25 kg

26

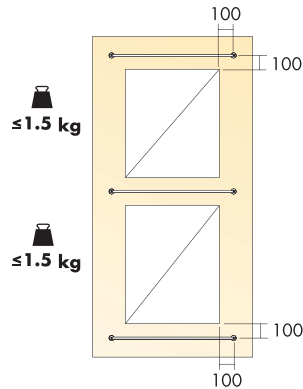
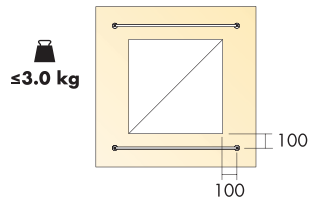
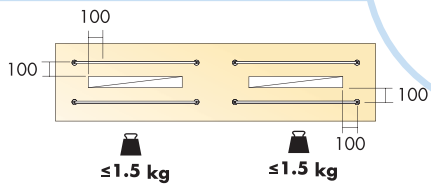
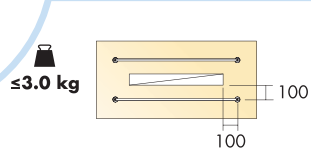


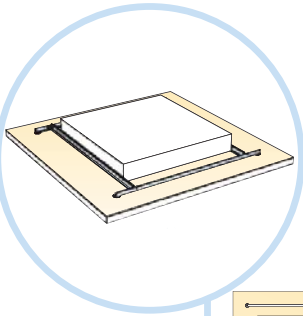


**27**

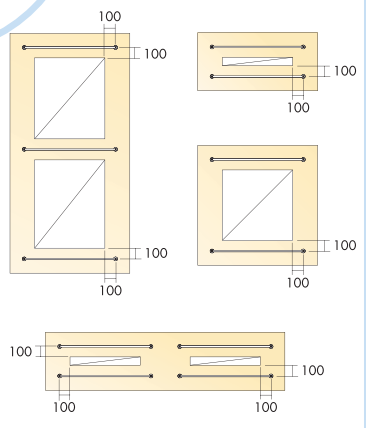


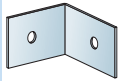

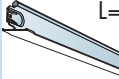
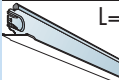
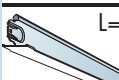
**28**

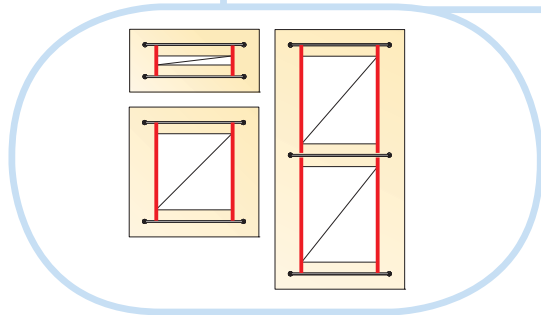




**29**



	600x1200	600x2400	1200x1200	2400x1200
	-	-	-	<b>x2</b>
	<b>x8</b>	<b>x16</b>	<b>x8</b>	<b>x16</b>
 L=300	<b>x2</b>	<b>x4</b>	-	-
 L=900	-	-	<b>x2</b>	-
 L=1200	-	-	-	<b>x4</b>



L=300 → 295  
 L=900 → 895  
 L=1200 → 995/1095