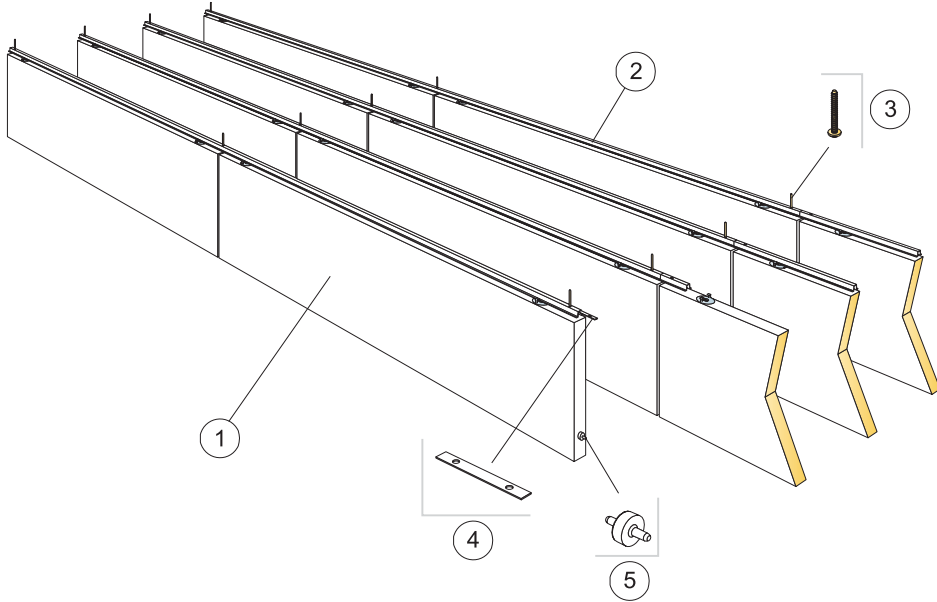
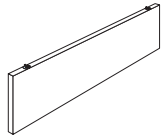


Solo Baffle anchor

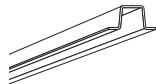
M232



1. Solo Baffle anchor
1200x300, 1200x200,
1200x600



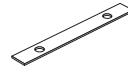
2. Connect Baffle profile
l= 2400, 2630-0361



3. Connect Anchor screw
2630-4000



4. Connect Profile connector
2631-1769



5. Connect Guiding pin
2631-1768

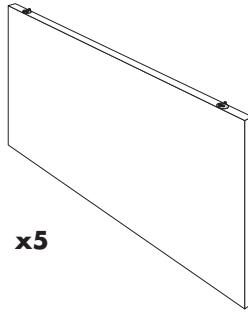




1200x600



x10



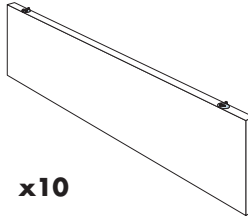
x5



1200x300



x20



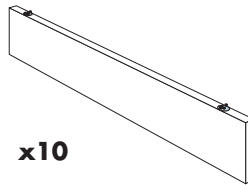
x10



1200x200



x20

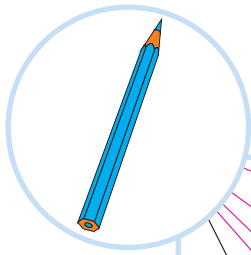


x10

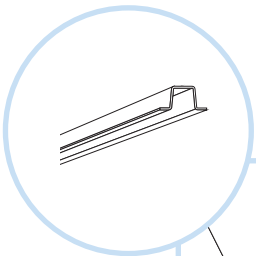
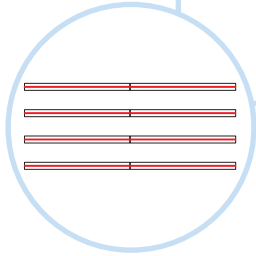
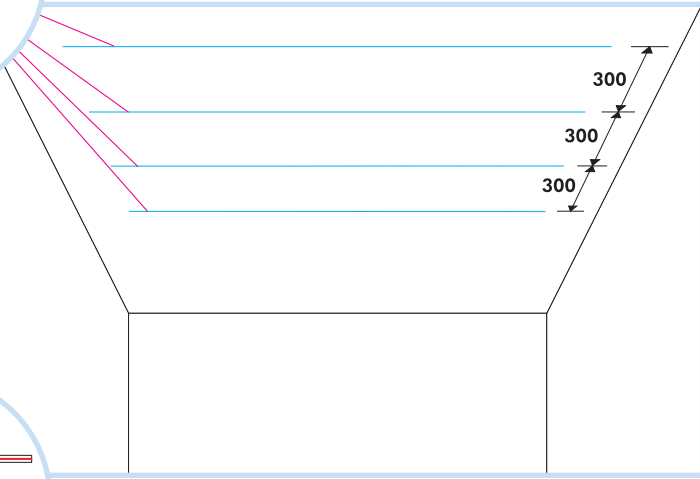
Ecophon[®]
SAINT-GOBAIN

A SOUND EFFECT ON PEOPLE

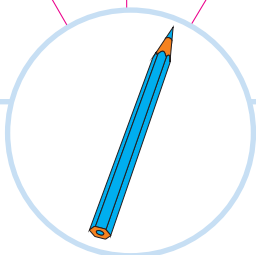
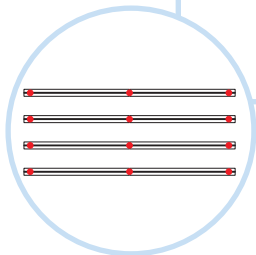
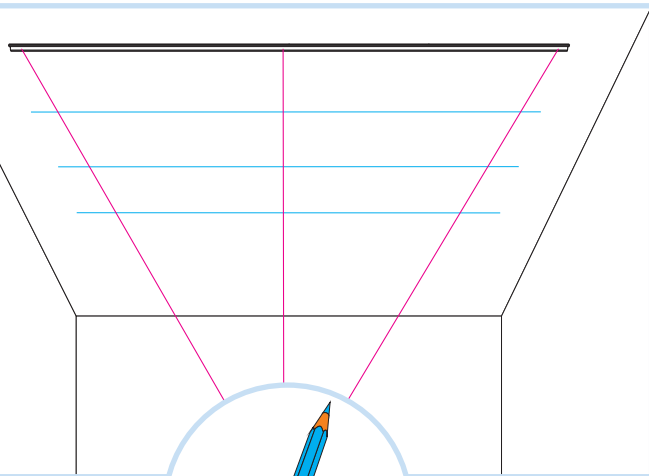
www.ecophon.com

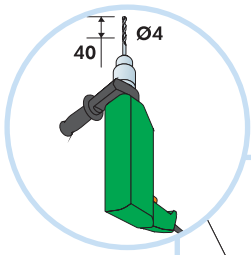


1

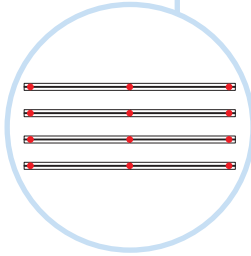
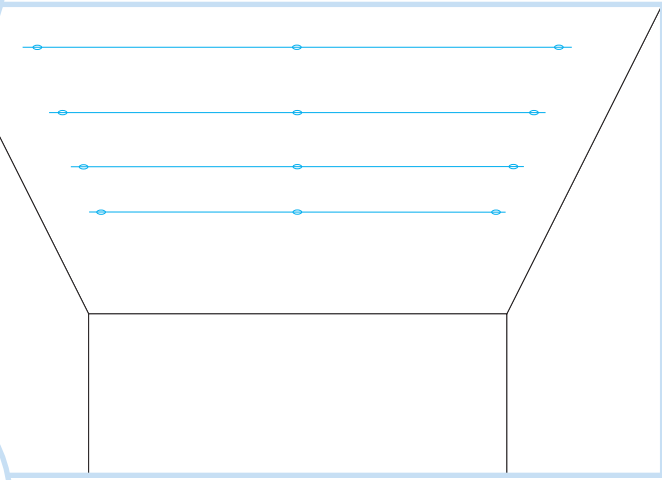


2

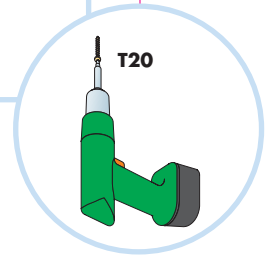
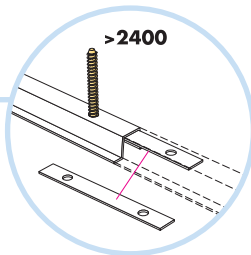
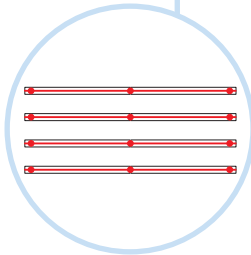
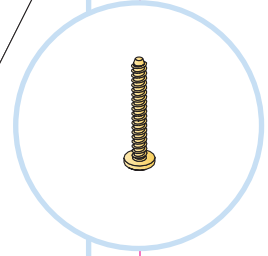
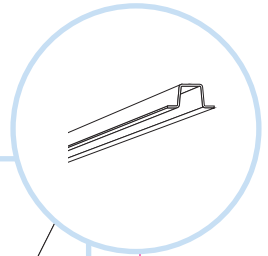
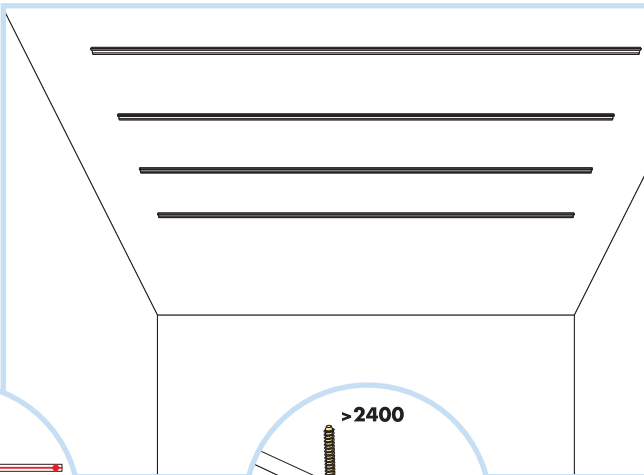


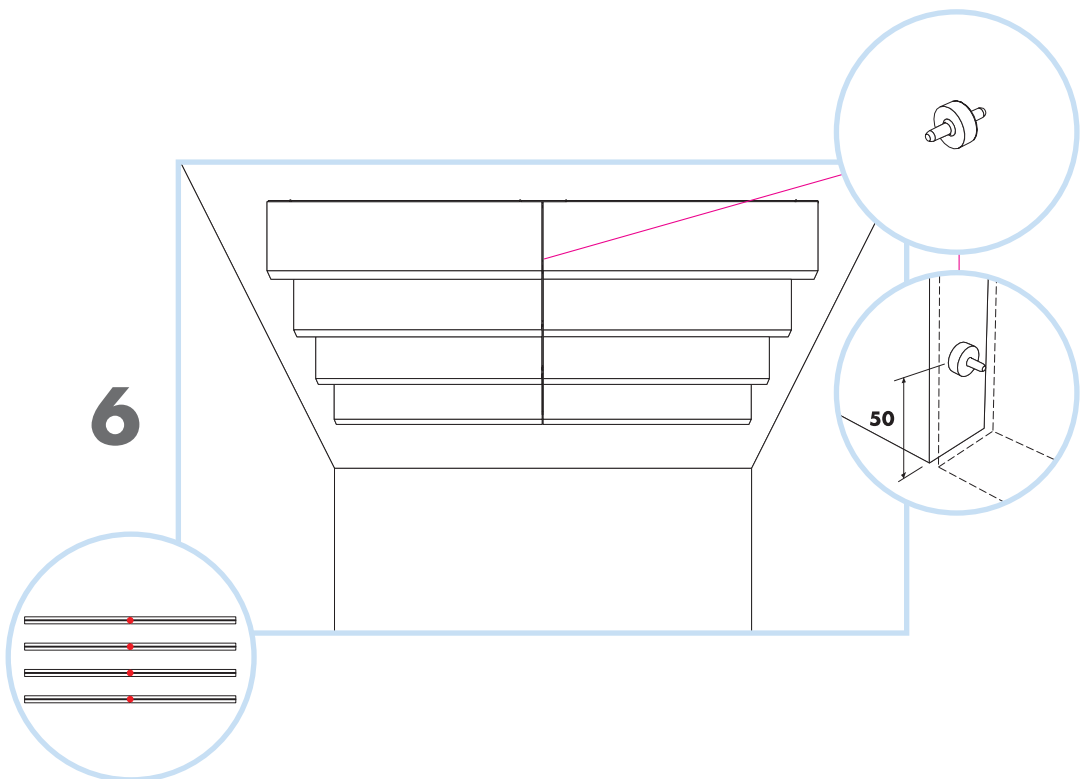
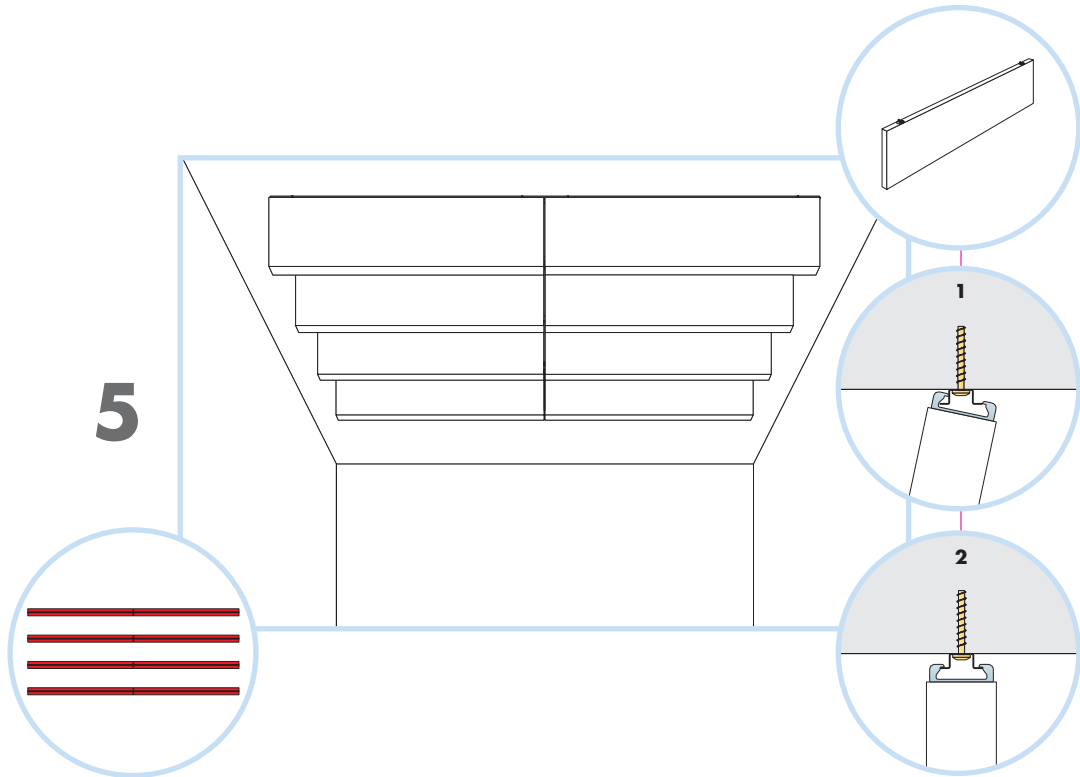


3



4





7

