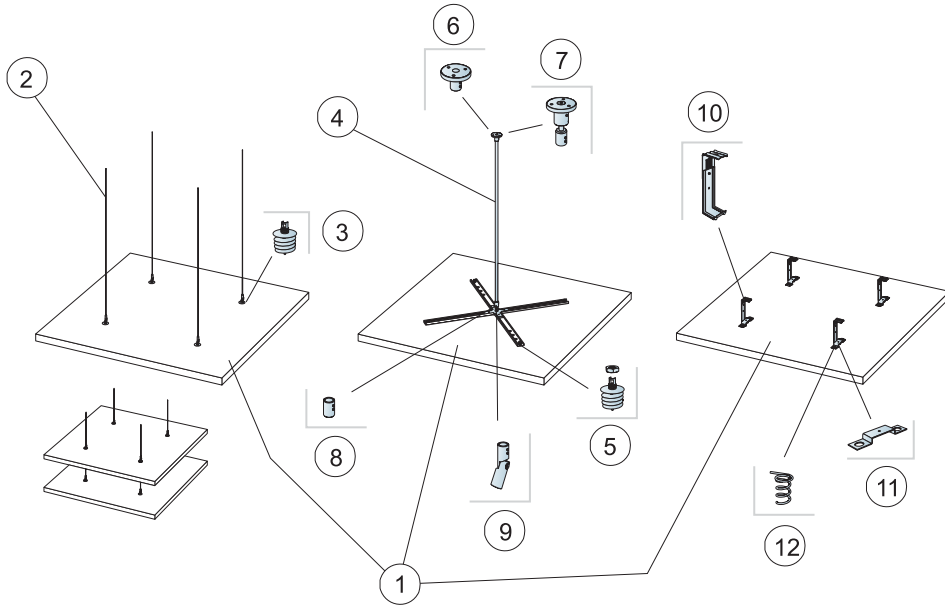
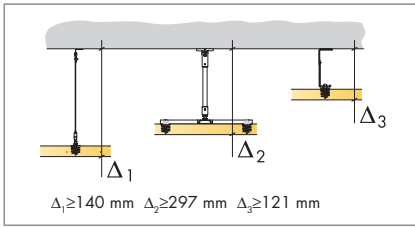


Ecophon Solo[™]
Square
1200x1200
M284



1. Ecophon Solo Square 1200x1200

2. Connect Adjustable wire hanger

3. Connect Absorber anchor

4. Connect Rigid hanger

5. Connect Absorber anchor

6. Connect Soffit fixing

7. Connect Adjust soffit fixing

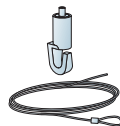
8. Connect Panel fixing

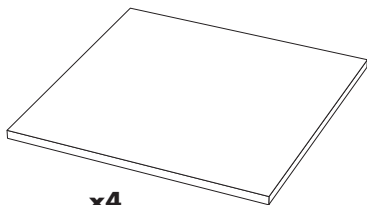
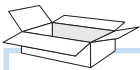
9. Connect Panel angle fixing

10. Connect Adjust bracket

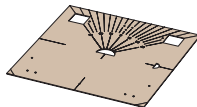
11. Connect Fixing plate

12. Connect Spiral anchor flat





x4



x1



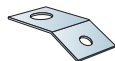
Connect Anchor screw with eye



Connect Anchor screw



Connect Installation screw MWL



Connect Fixing plate C3



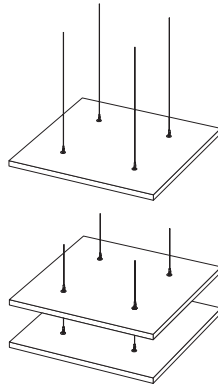
Connect Covering cup

Ecophon[®]
SAINT-GOBAIN

A SOUND EFFECT ON PEOPLE

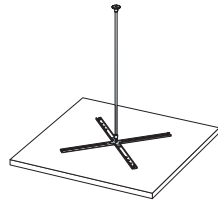
www.ecophon.com

Alt 1



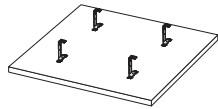
→ 1

Alt 2

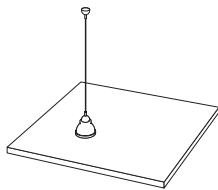


→ 11

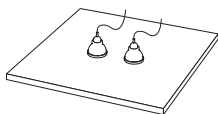
Alt 3



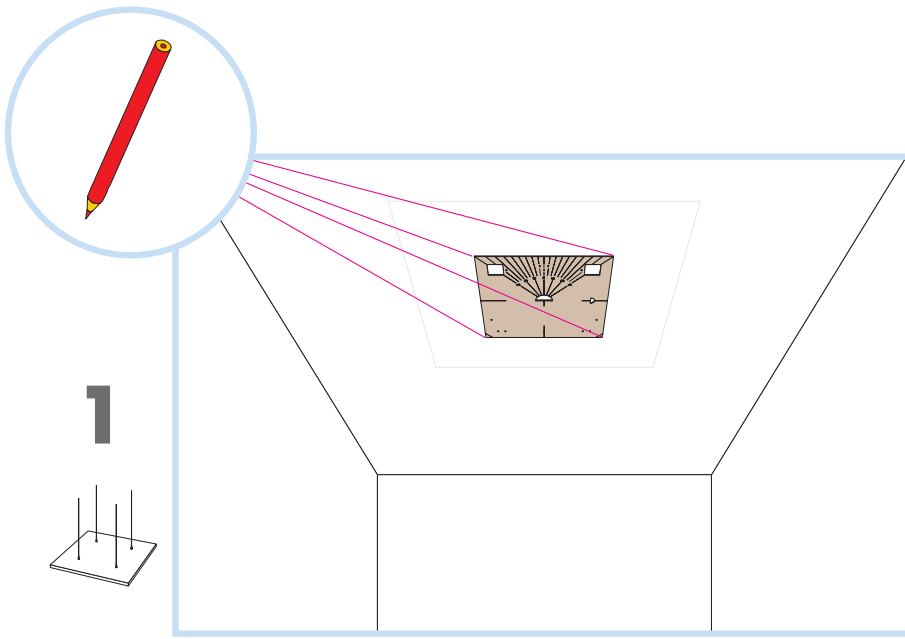
→ 21



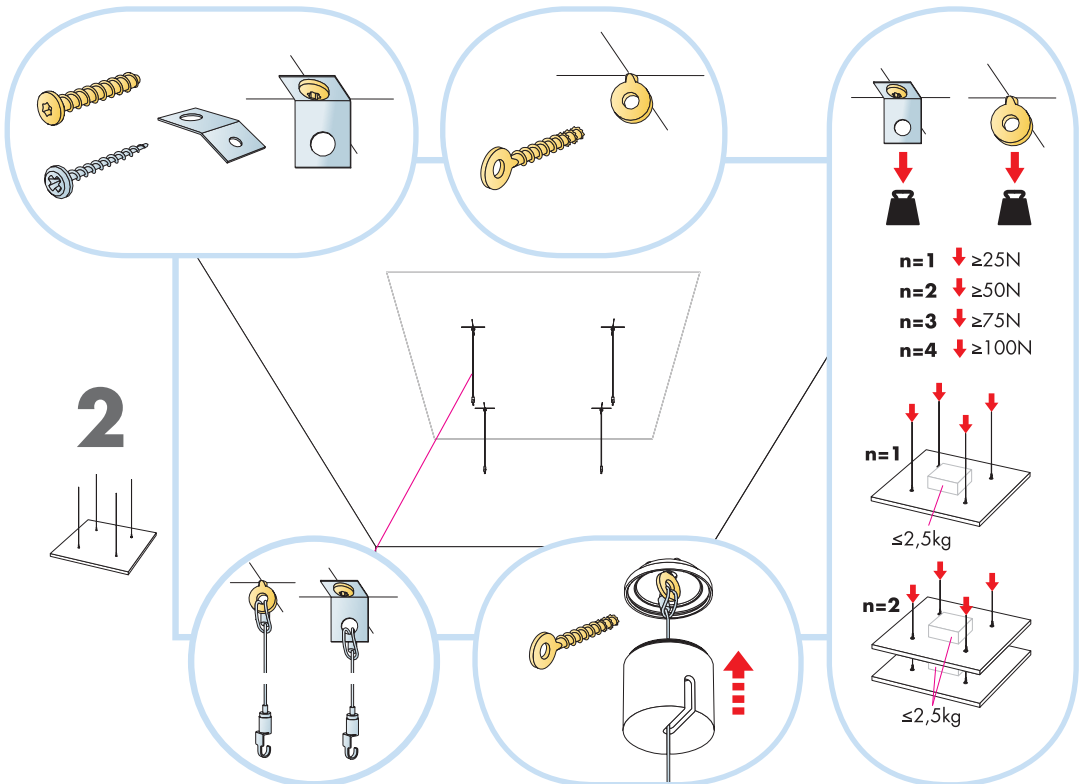
→ 27



→ 30

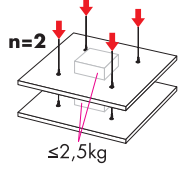
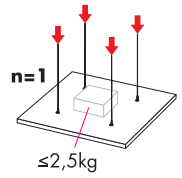


1

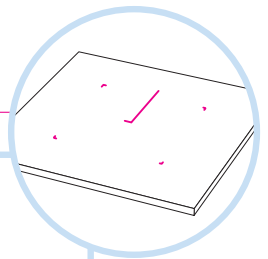
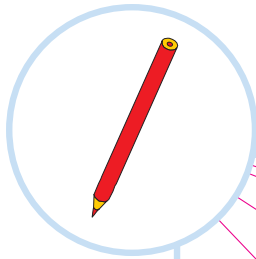
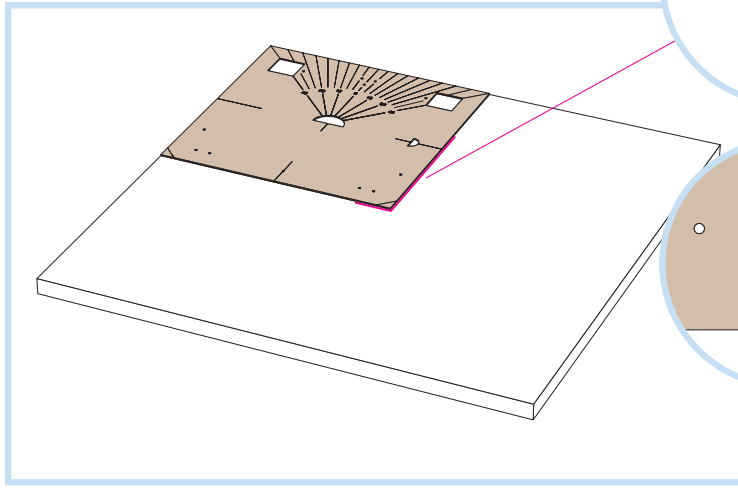



2

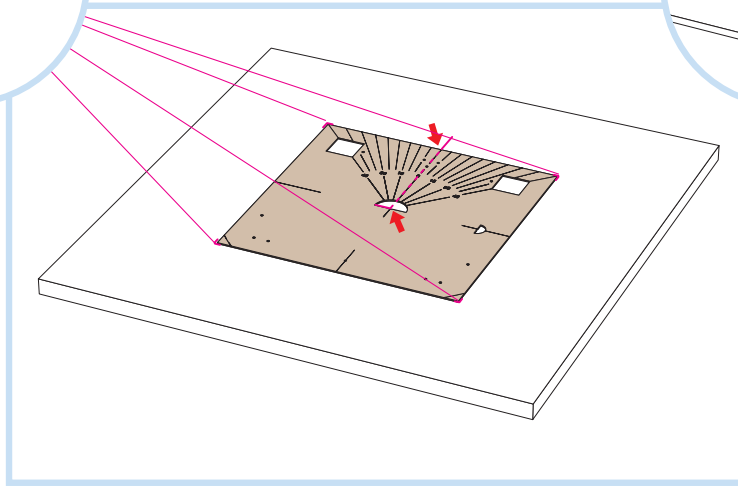
- n=1** ↓ ≥25N
- n=2** ↓ ≥50N
- n=3** ↓ ≥75N
- n=4** ↓ ≥100N

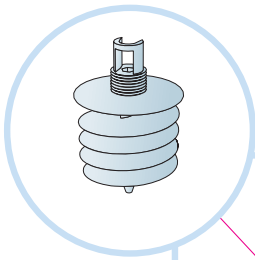


3

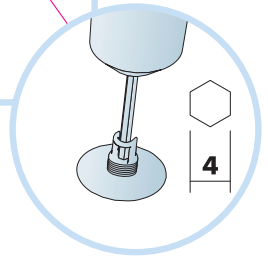
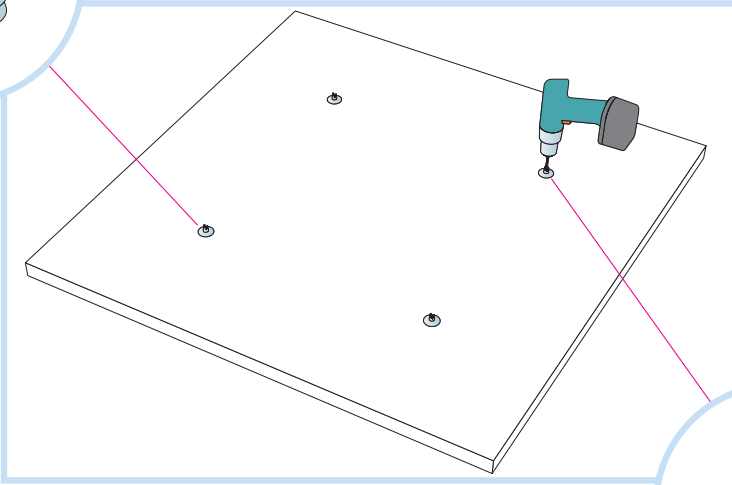


4

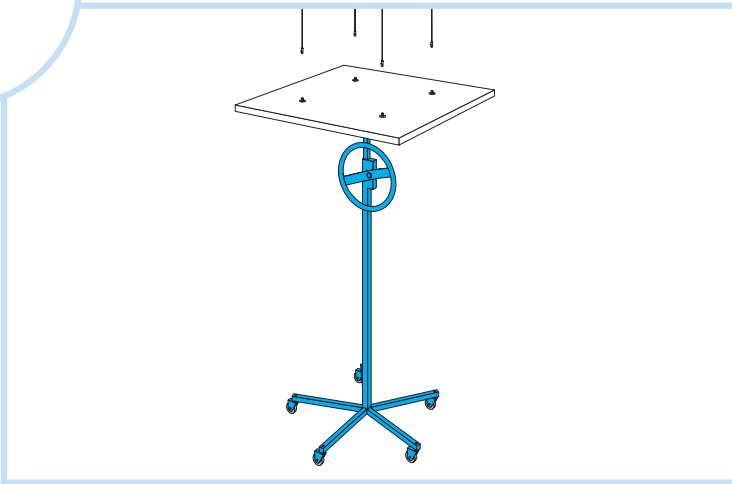


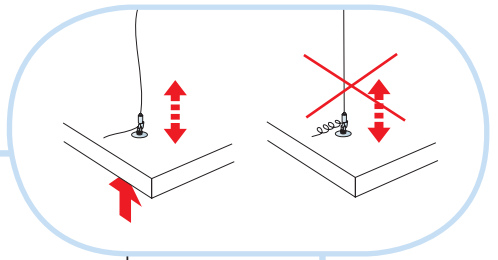
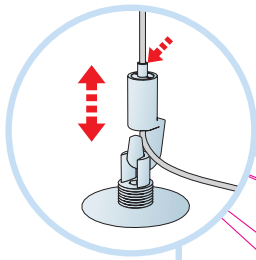


5

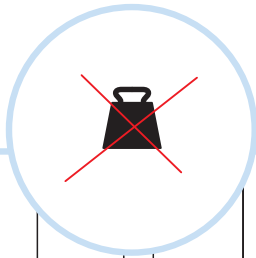
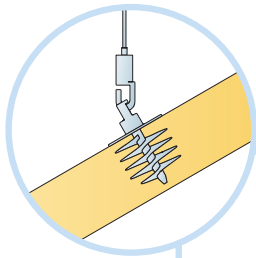
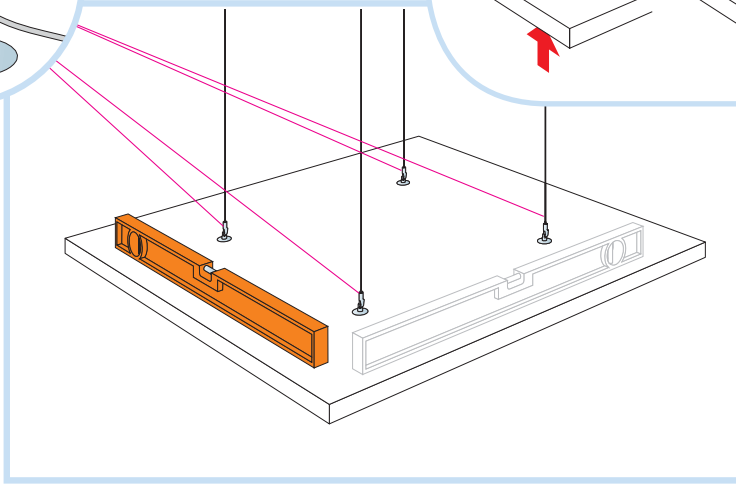


6



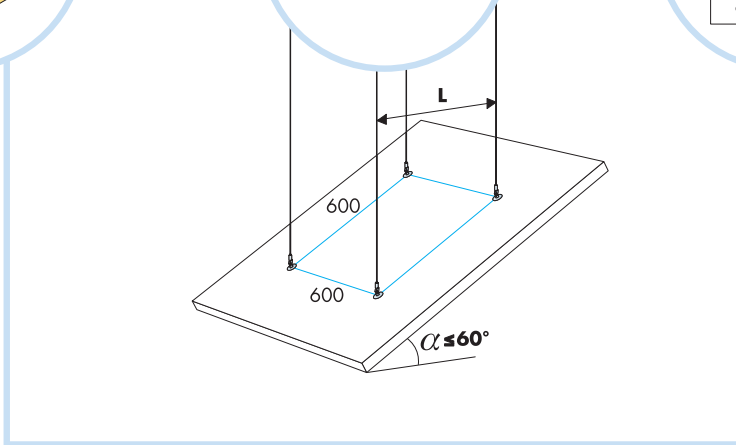


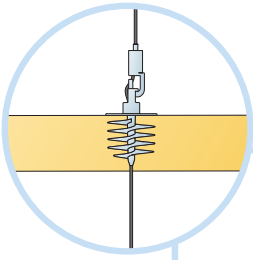
7



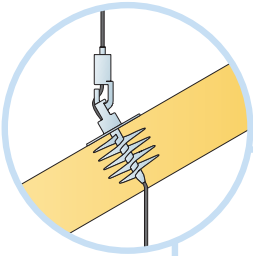
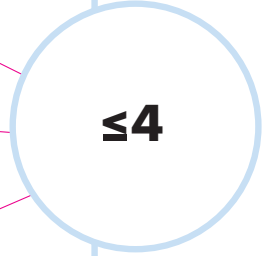
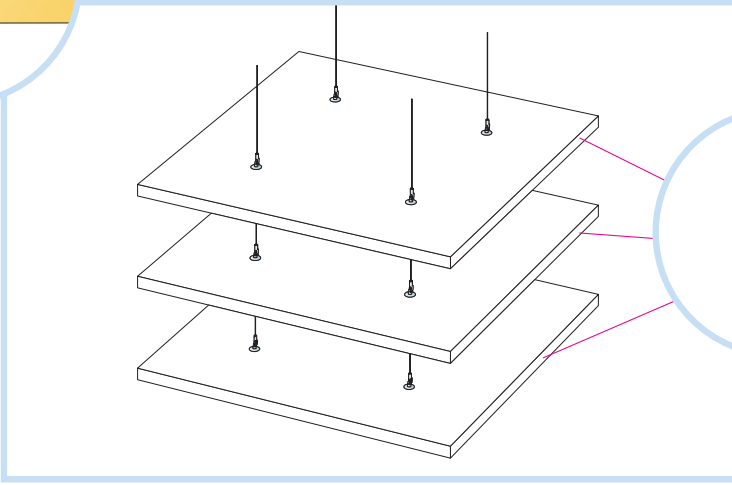
α	L
15°	580
30°	520
45°	425
60°	300

8

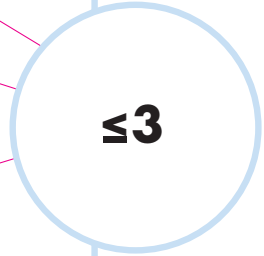
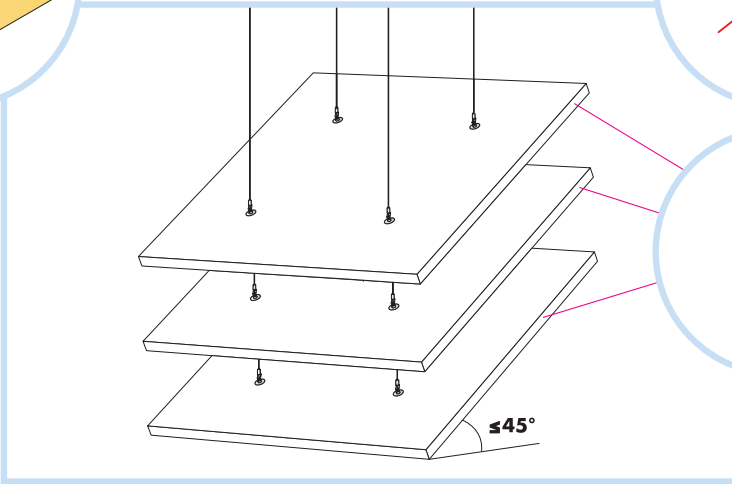


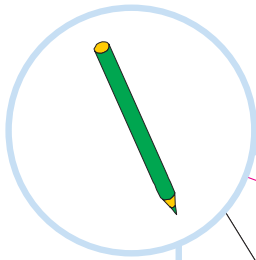


9

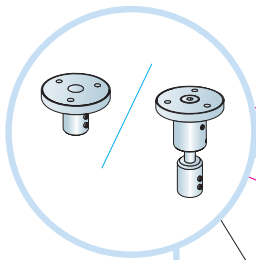
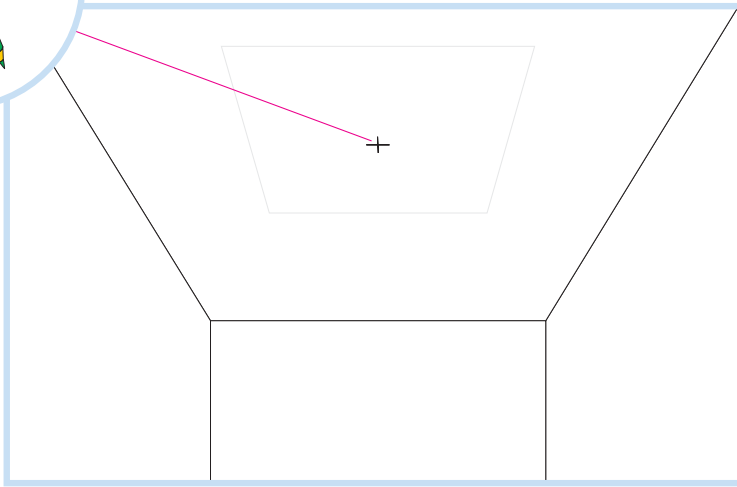


10

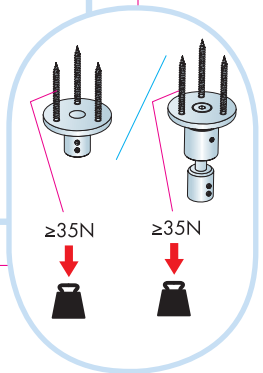
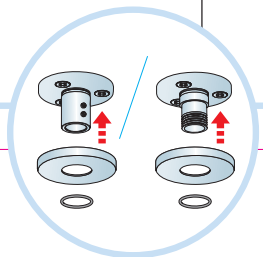
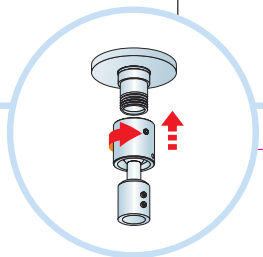
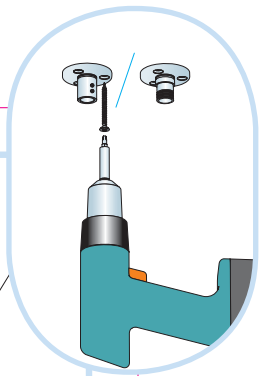
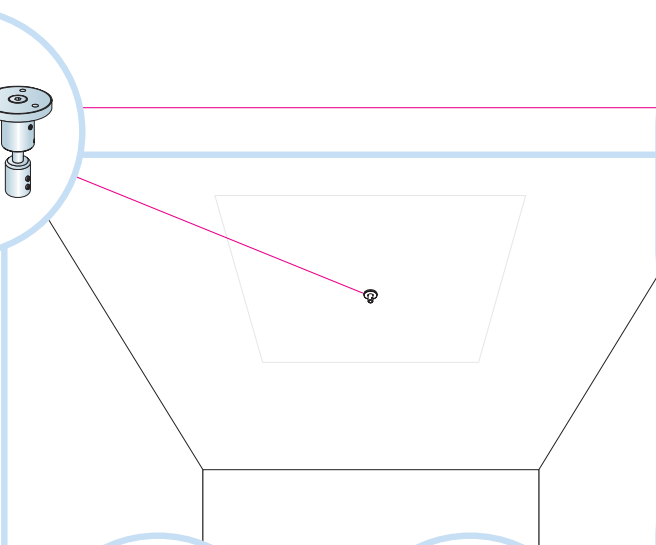


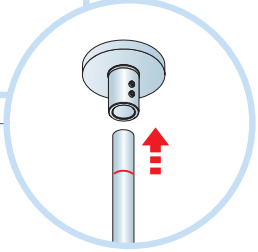
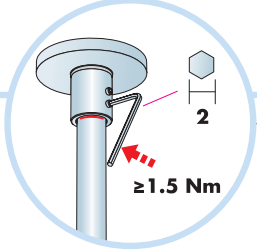
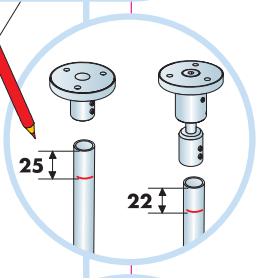
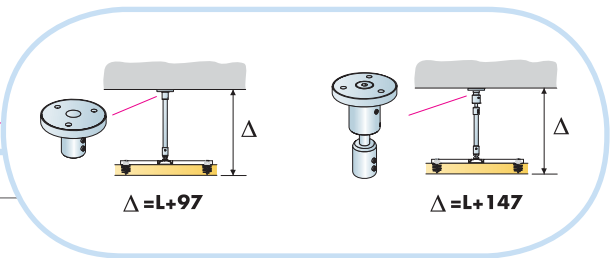
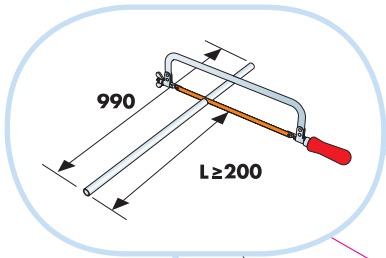


11



12

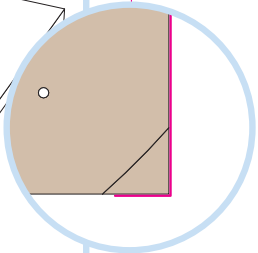
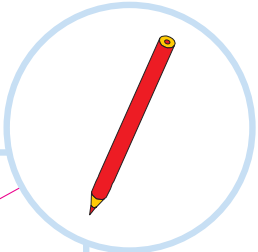
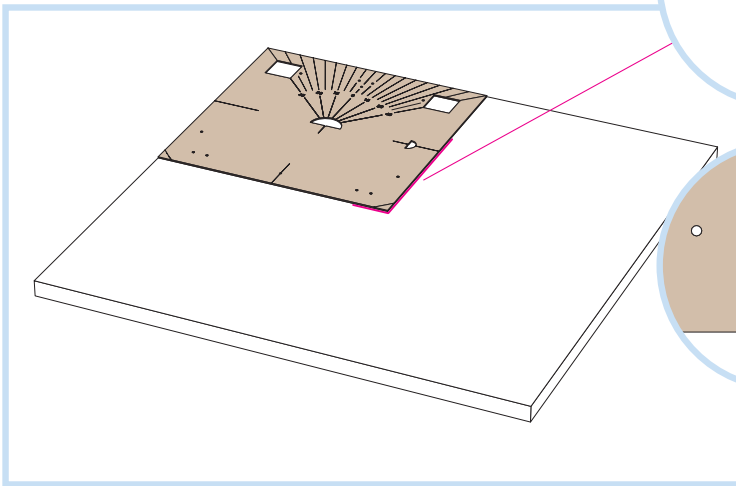


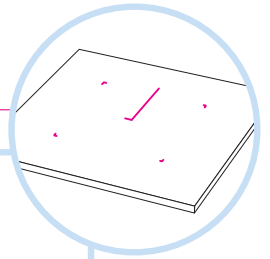
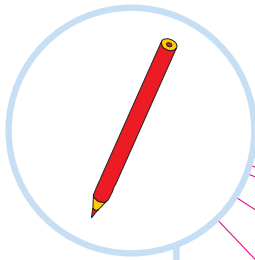


13

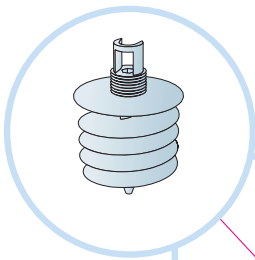
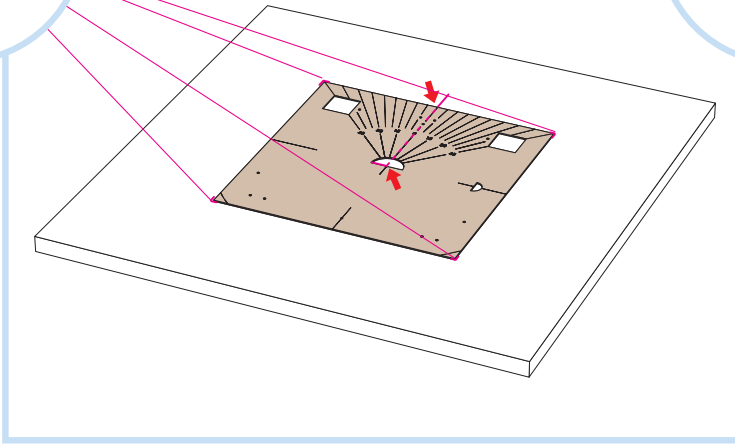


14

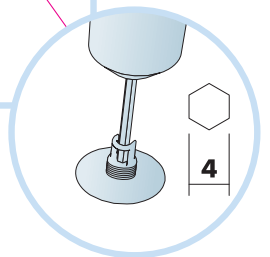
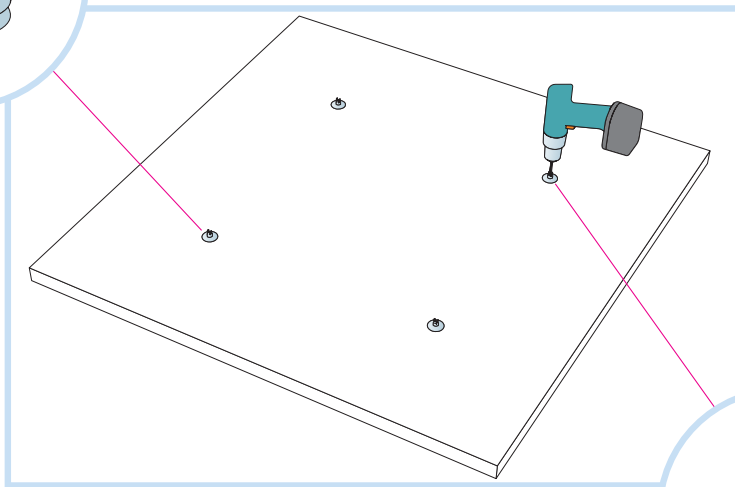


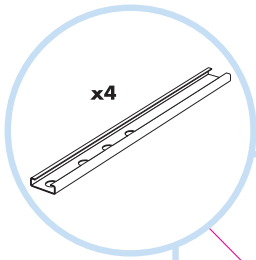


15

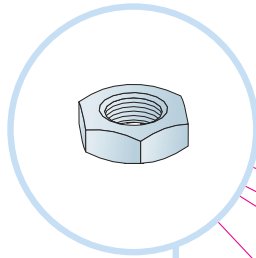
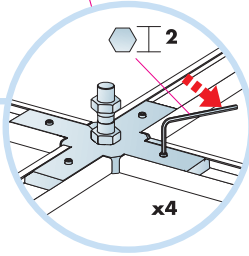
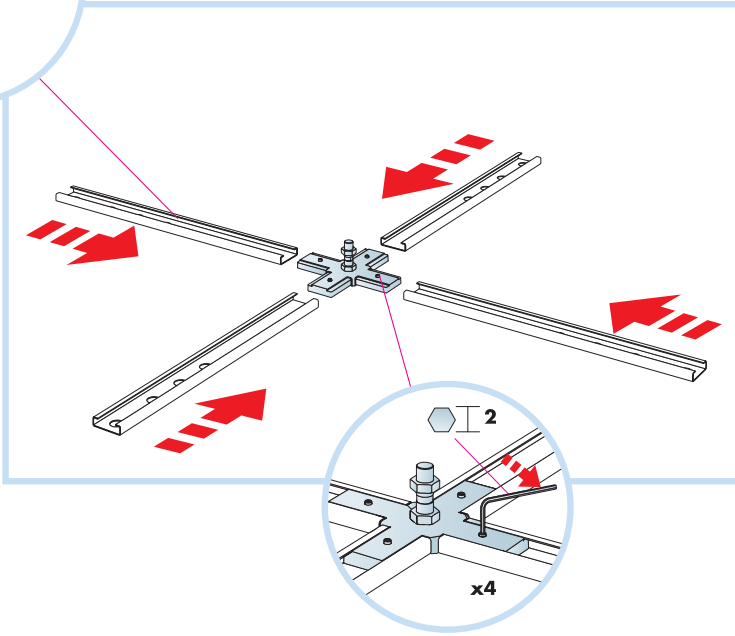


16

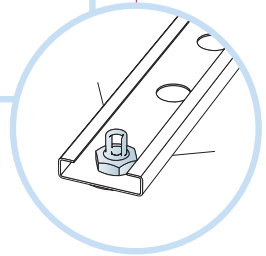
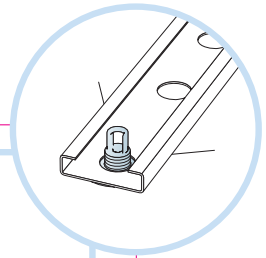
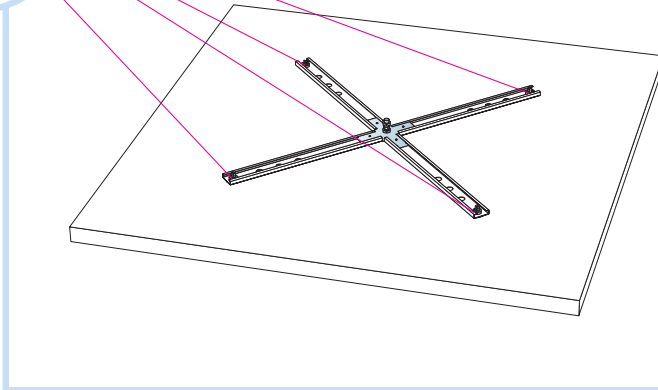


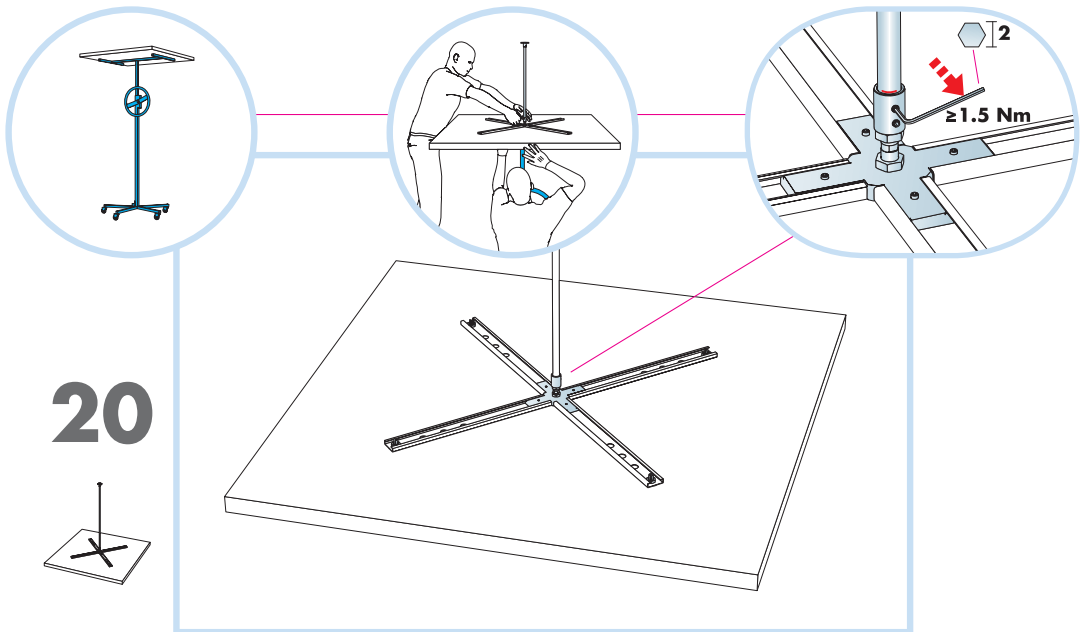
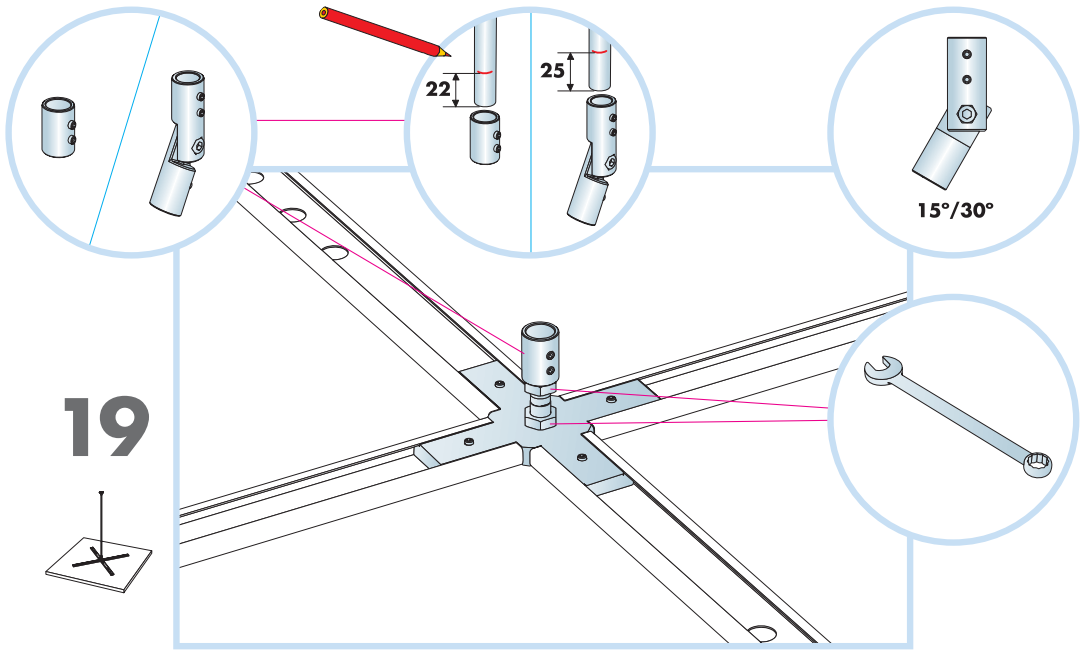


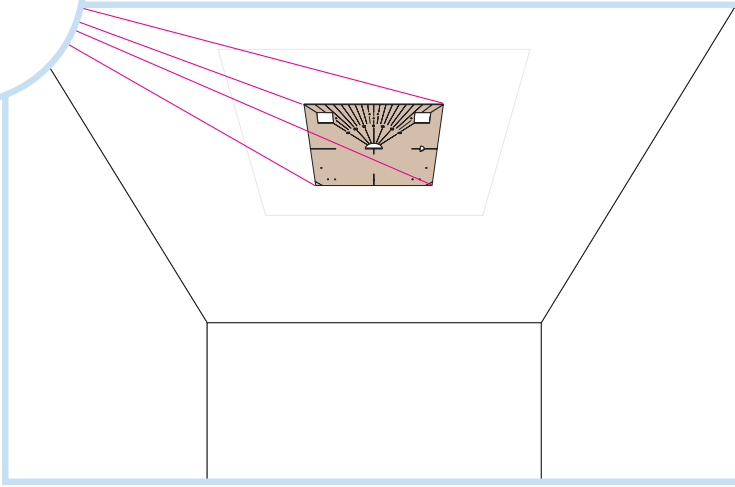
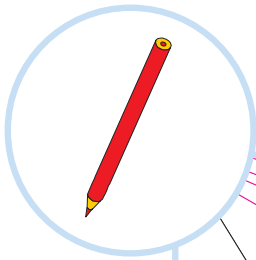
17



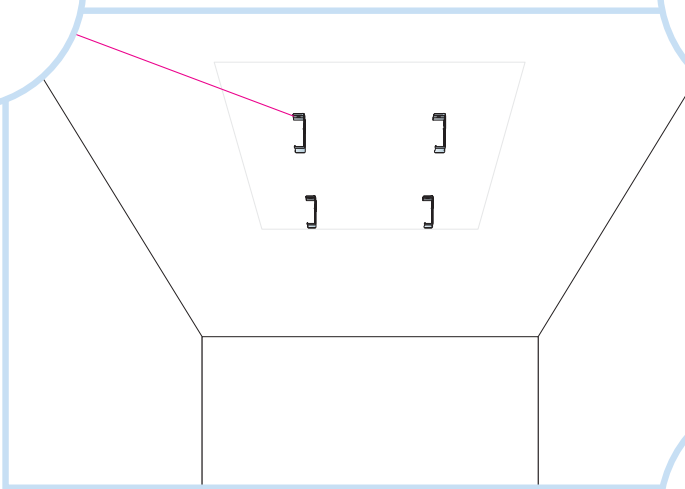
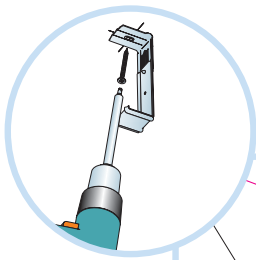
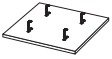
18



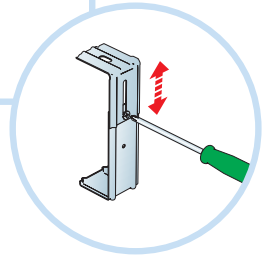
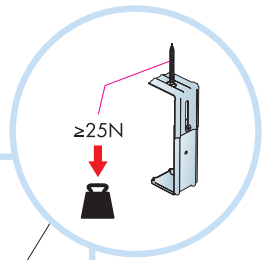
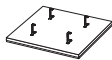




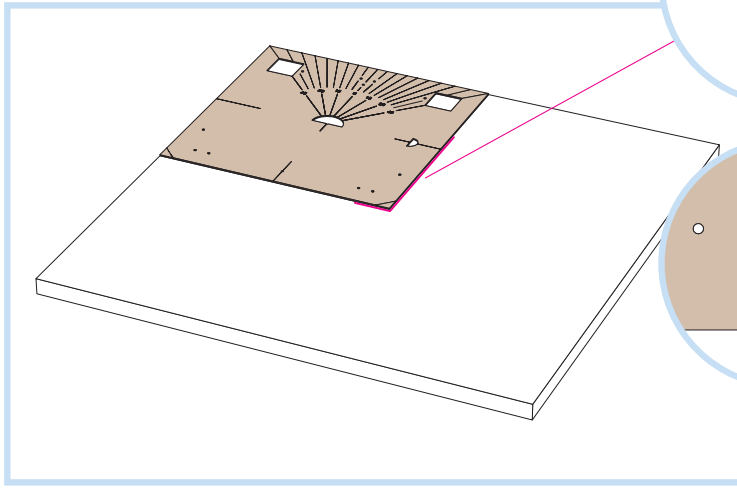
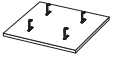
21



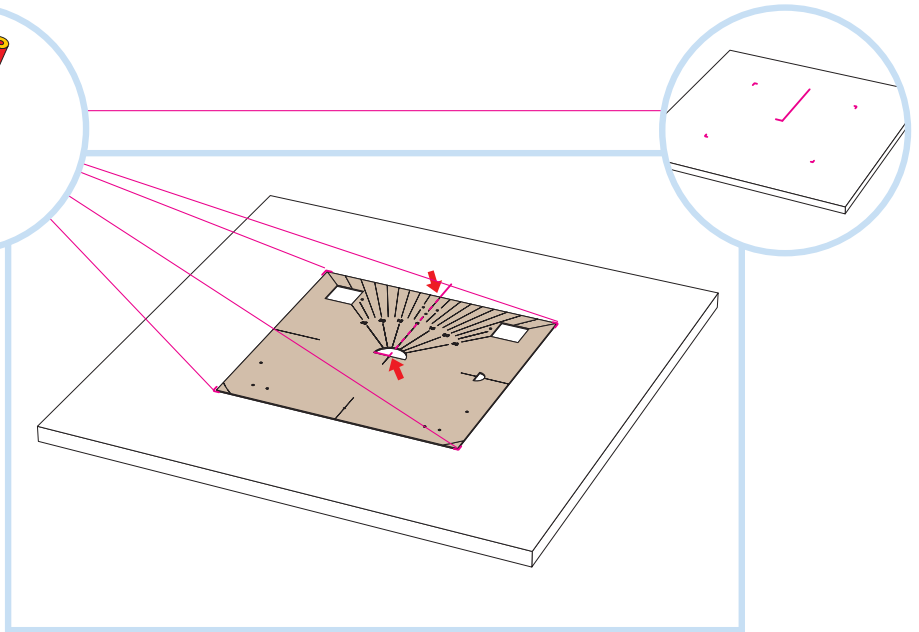
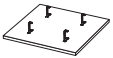
22

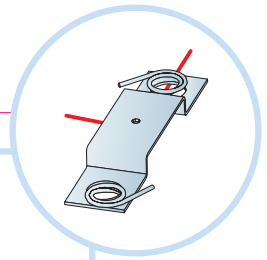
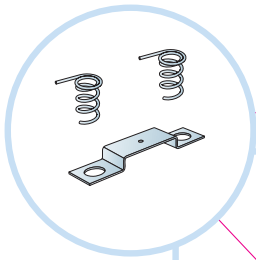


23

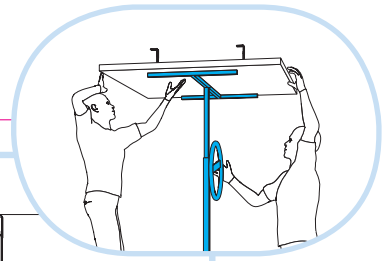
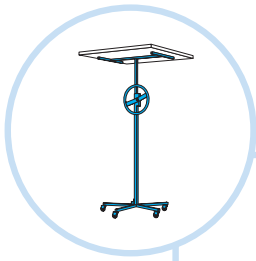
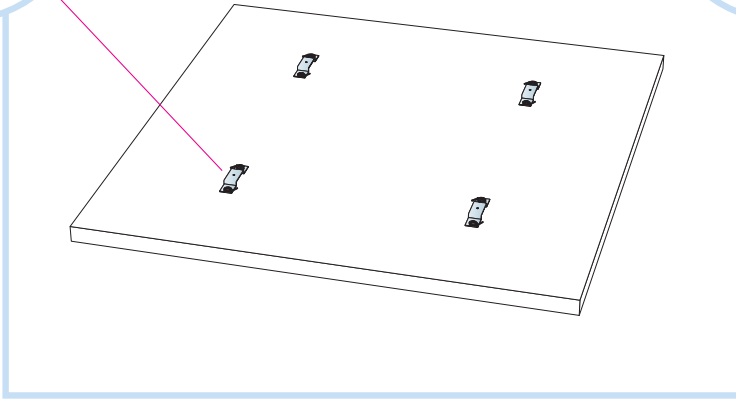
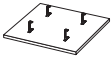


24

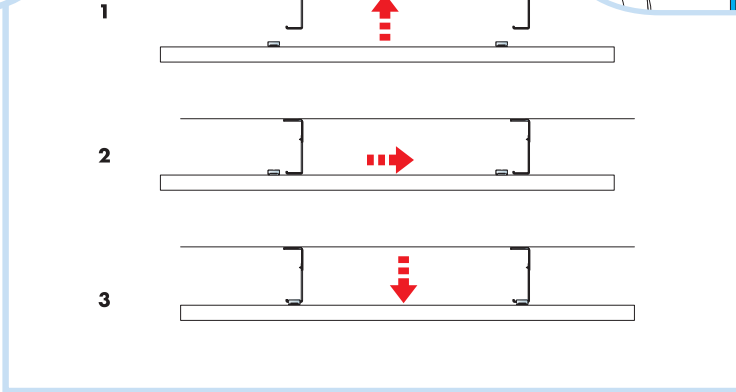
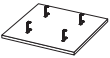


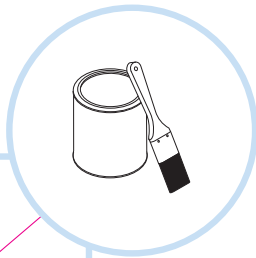
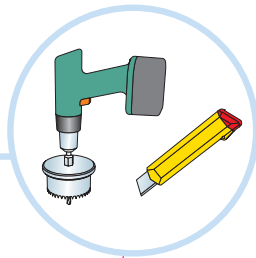
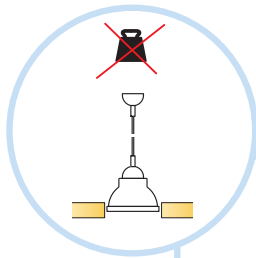


25

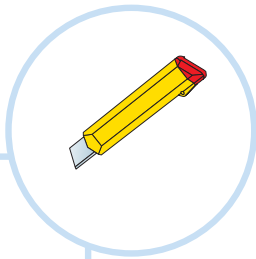
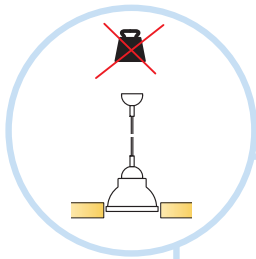
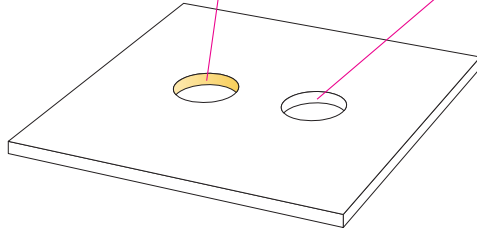


26

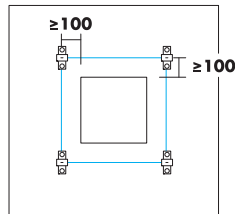
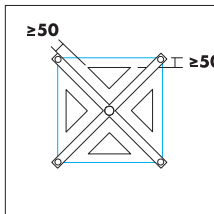
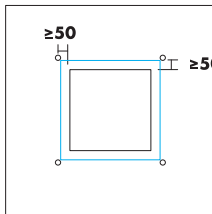
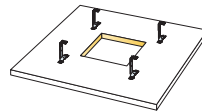
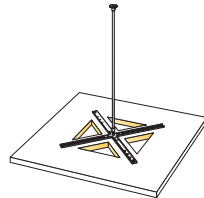
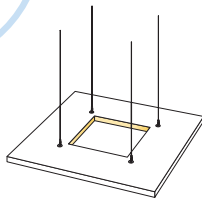


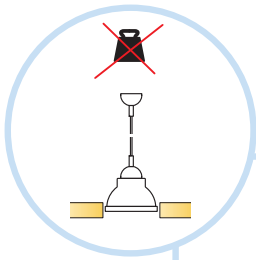


27

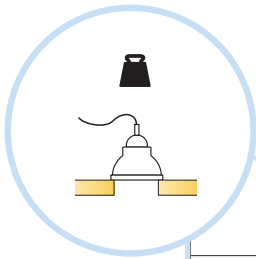
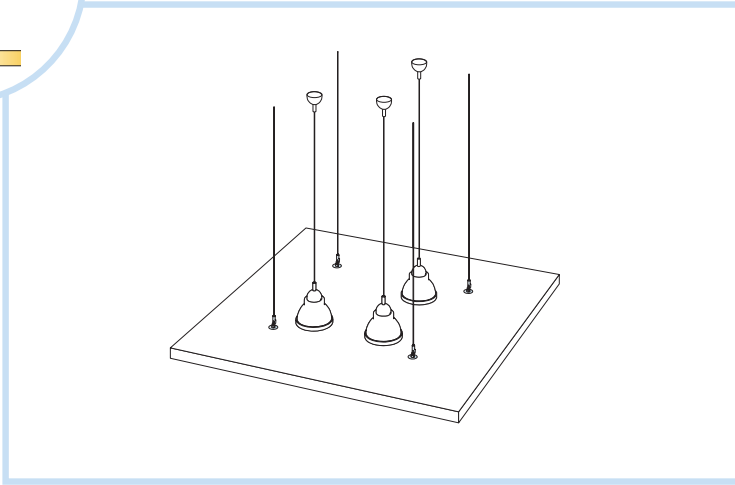


28



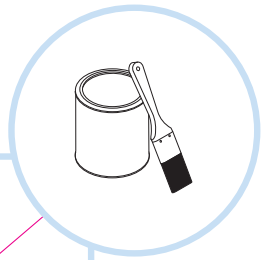
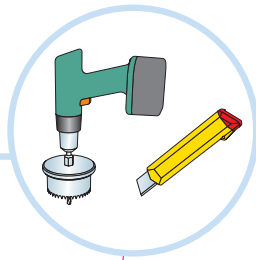
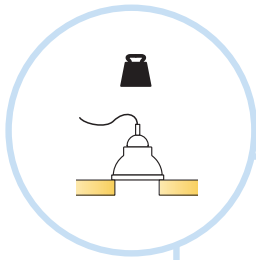


29

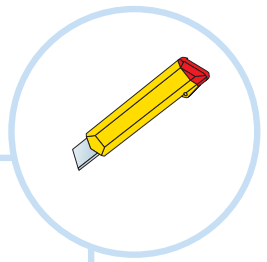
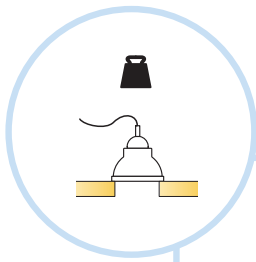
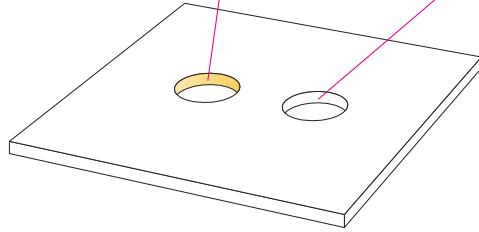


30

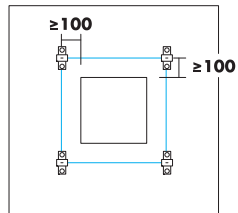
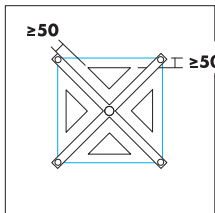
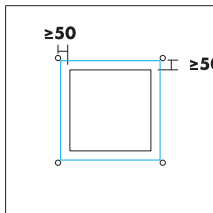
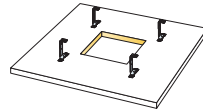
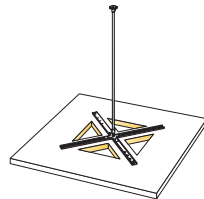
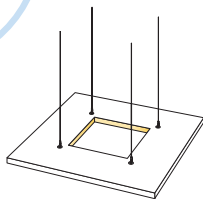
		$\leq 100\text{mm}$	$101-300\text{mm}$	$301-500\text{mm}$
		$\geq 150\text{mm}$	$\geq 150\text{mm}$	-
		$\leq 0,5\text{kg}$	$\leq 2,0\text{kg}$	$\leq 2,0\text{kg}$
		$\leq 2,5\text{kg}$	$\leq 2,5\text{kg}$	$\leq 2,0\text{kg}$

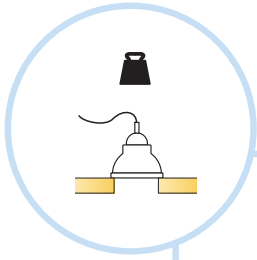


31



32





33

