

CEILING
INSTALLATION GUIDE

Modular Cubes

A cluster of varying sizes and heights of cube tiles produces an impressive three-dimensional ceiling with high-quality acoustic values. A selection of shades from an existing fan of colors. It can be painted in any desired shade.

THICKNESS

9 mm

MODULE SIZE

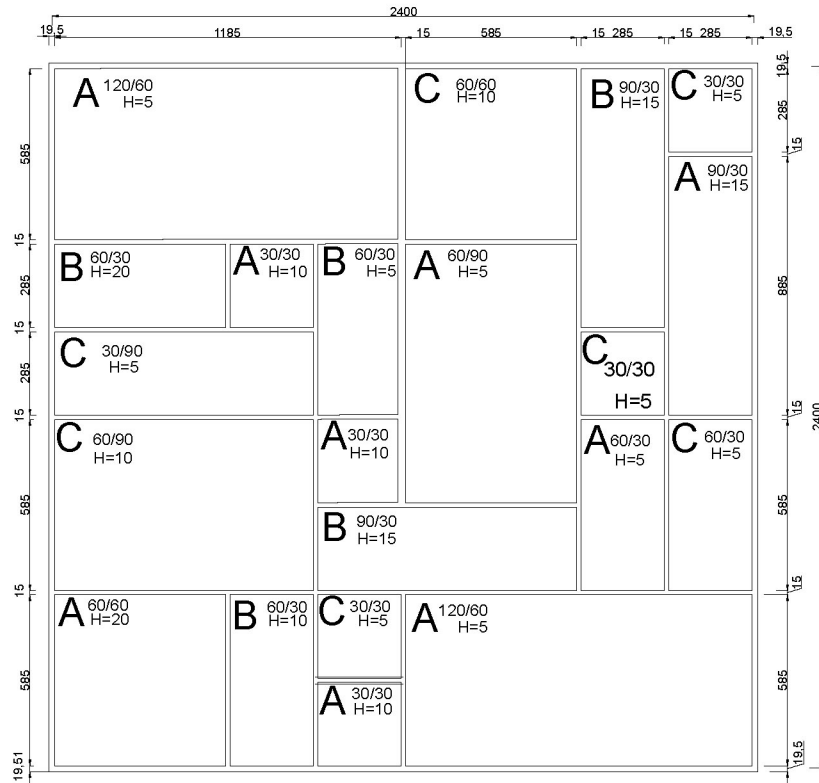
240x240 cm

HEIGHT

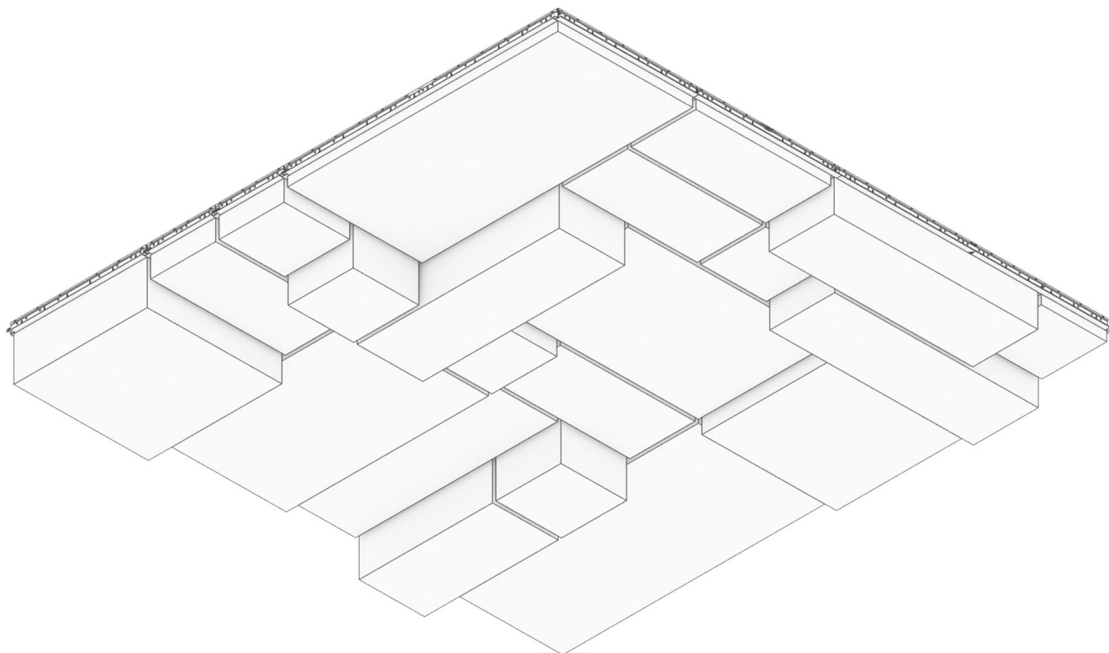
5-20 cm

DIMENSIONS

A, B, C = Shades of Color

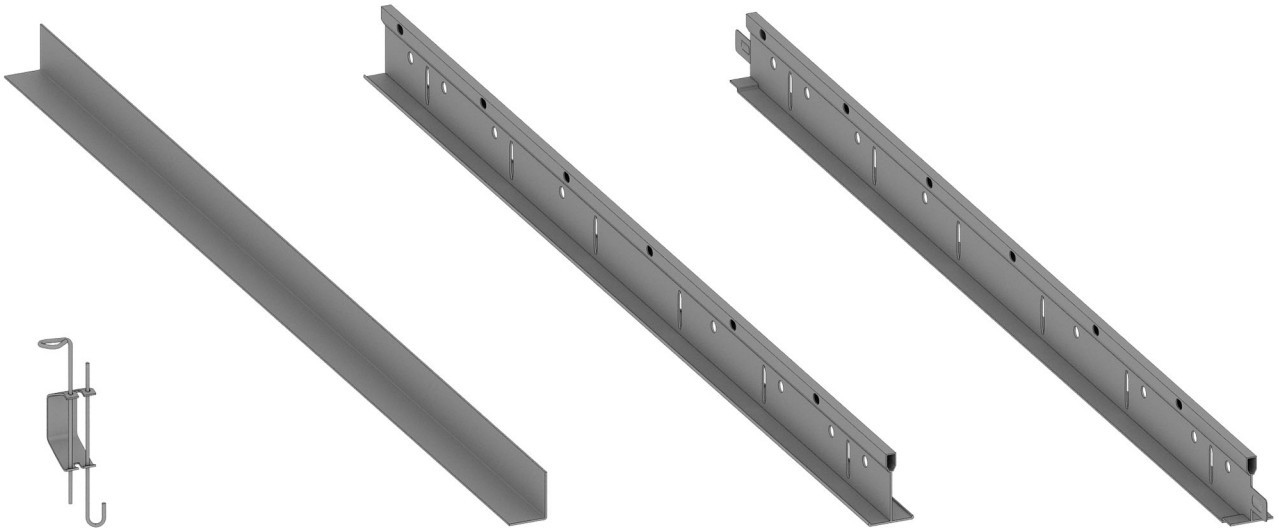


ISOMETRY



INSTRUCTIONS

These are your parts.

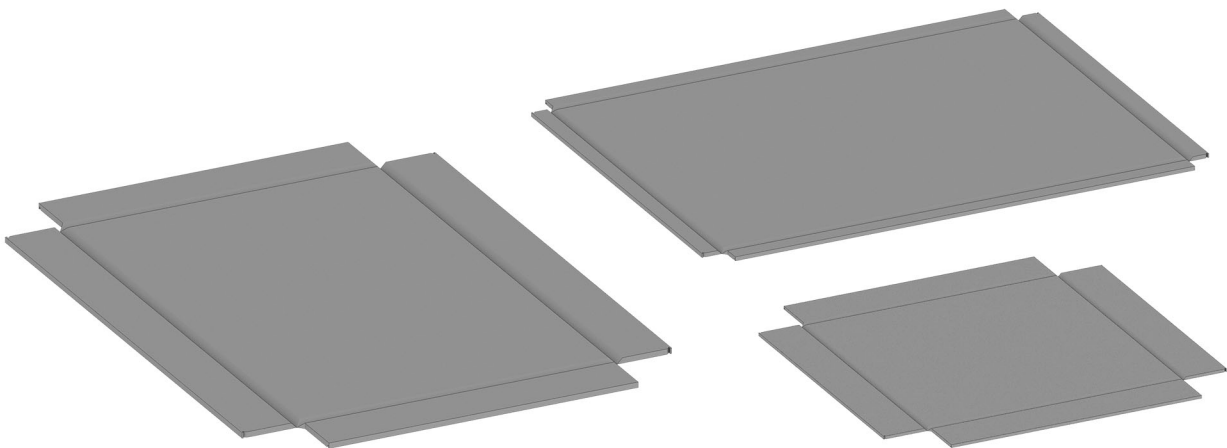


Adjustable Hanger

L Profile

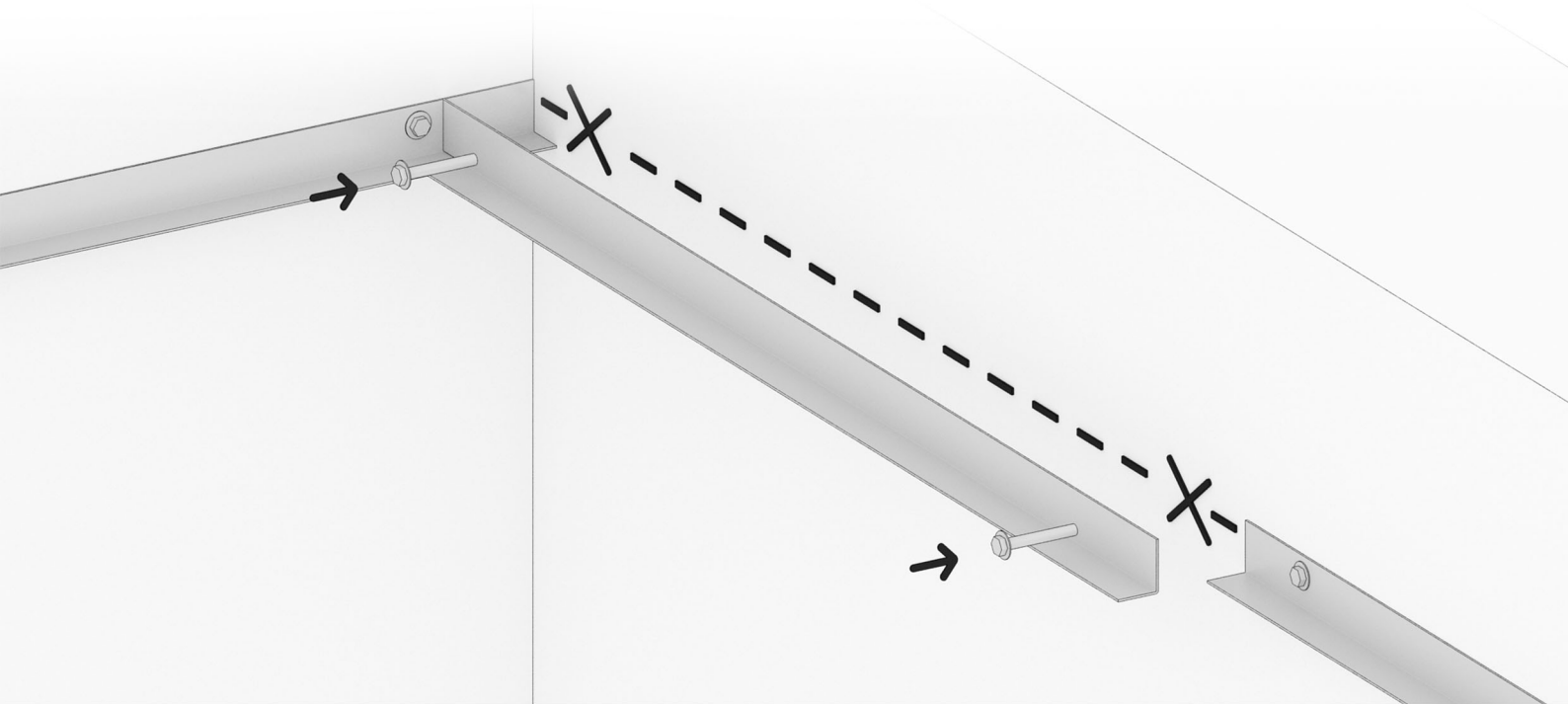
T24 Main Profile

T24 Side Profile

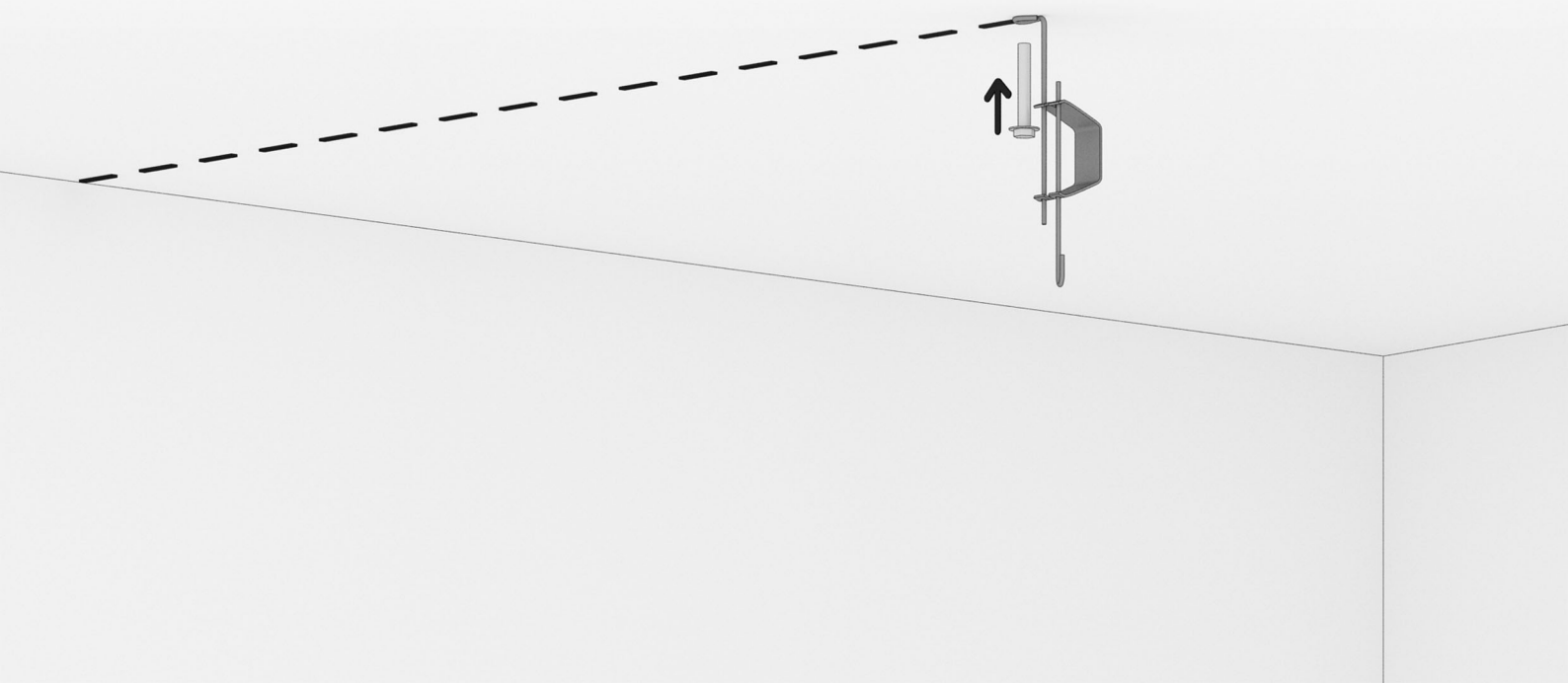


Kineret Tiles

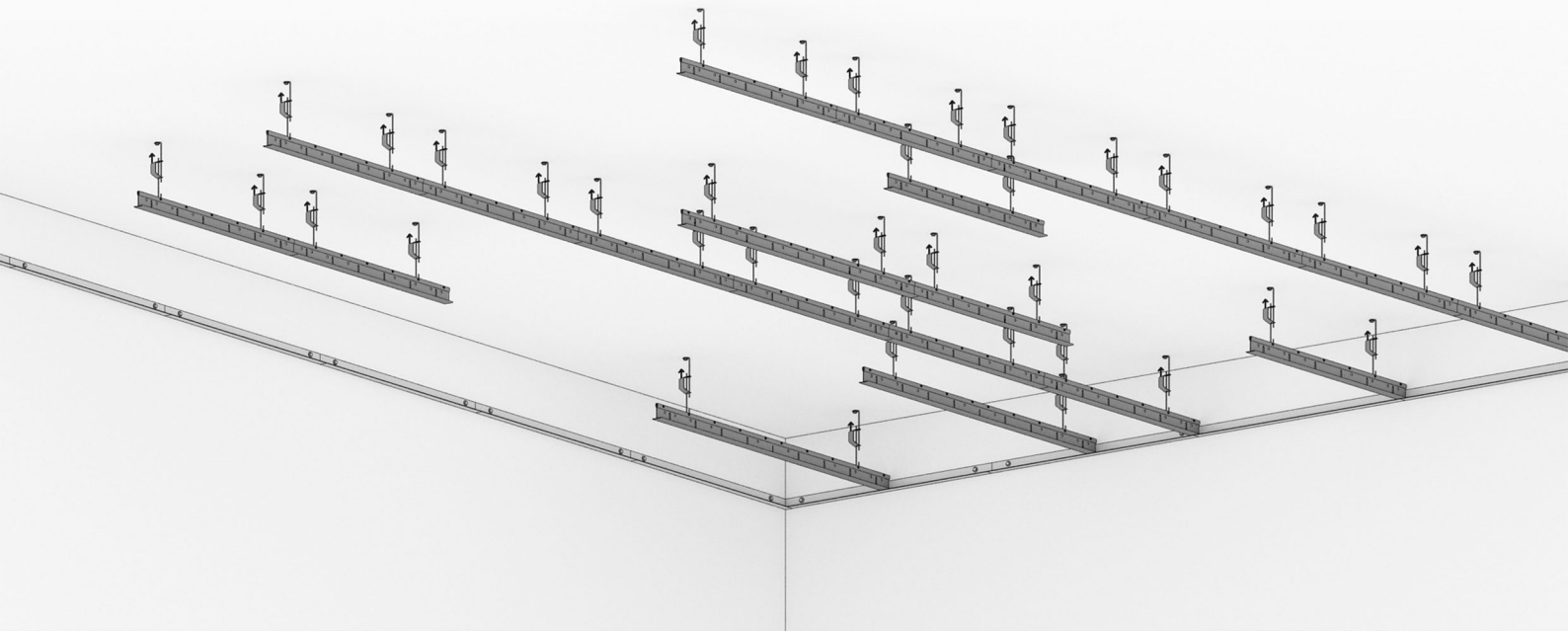
- ① **Mark the ceiling line on the wall and screw the L profiles accordingly.**



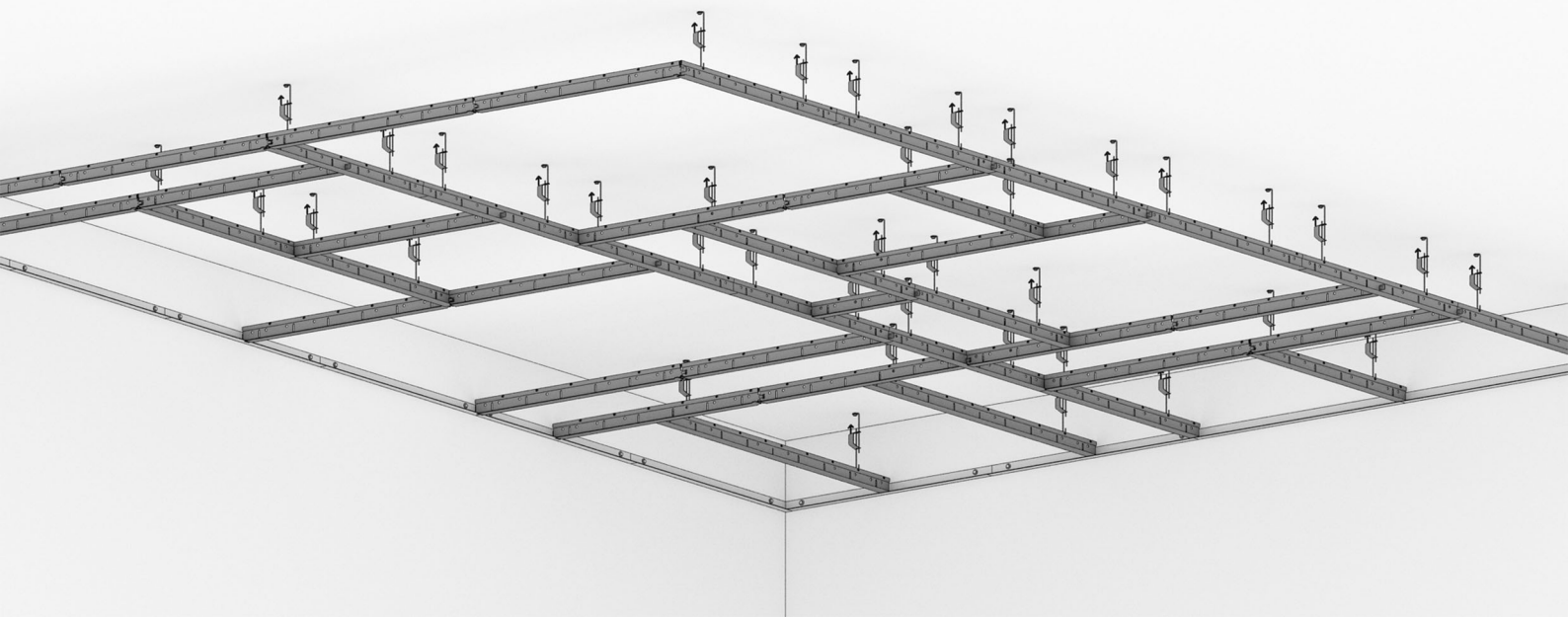
- ② **Screw the hangers of the first row of T24 main profiles while keeping 60 cm from the side wall.**



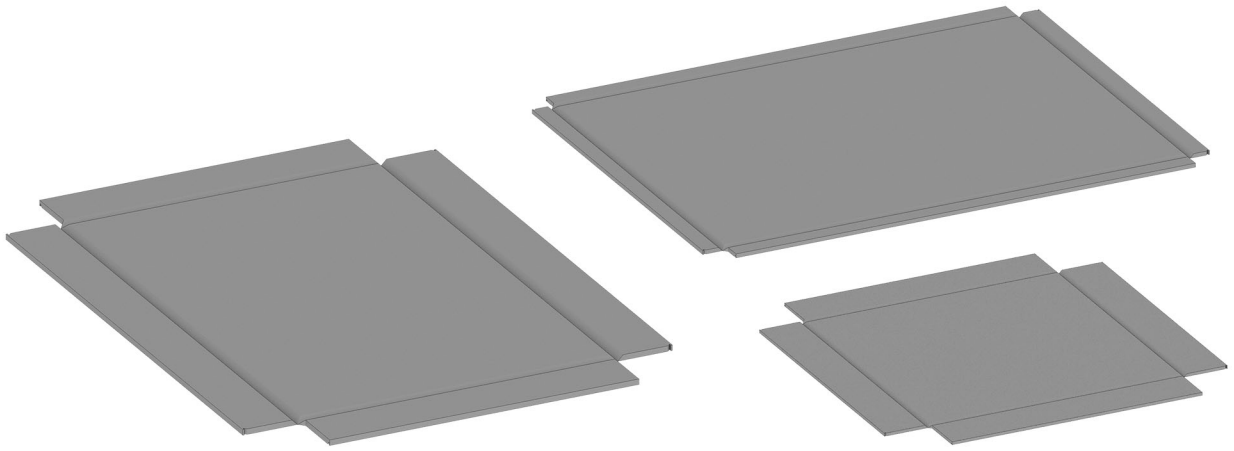
- 3 **Continue the following rows of the main profile as seen in the module.**



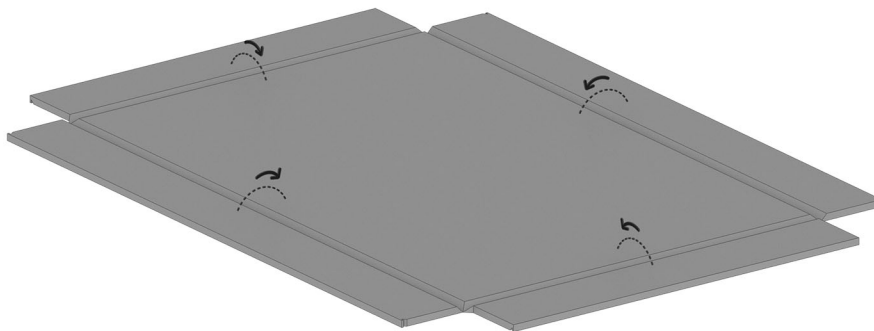
- 4 **Install the T24 side profiles between the mains, as seen in the module.**



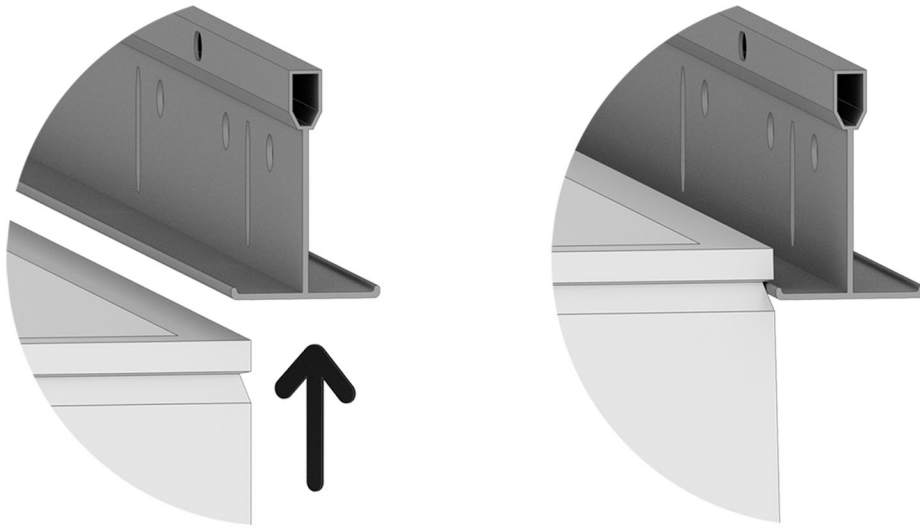
Kineret Tiles



5 **Fold into a box shape each tile.**



- ⑥ **The tile must be nailed to the T24 profile.**



- ⑦ **Repeat the instructions for the entire ceiling.**

