

CEILINGS
INSTALLATION GUIDE

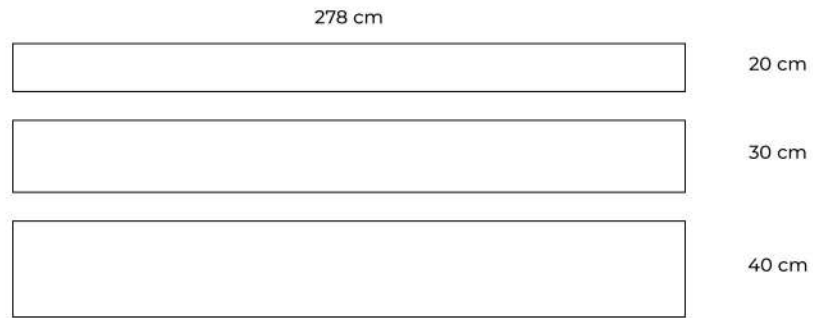
Baffle

Baffle is vertically installed unframed units. It is available in different sizes and a wide range of colors. Two hanging methods: free hanging of each of the baffles or using a connector profile that maintains a uniform hanging.

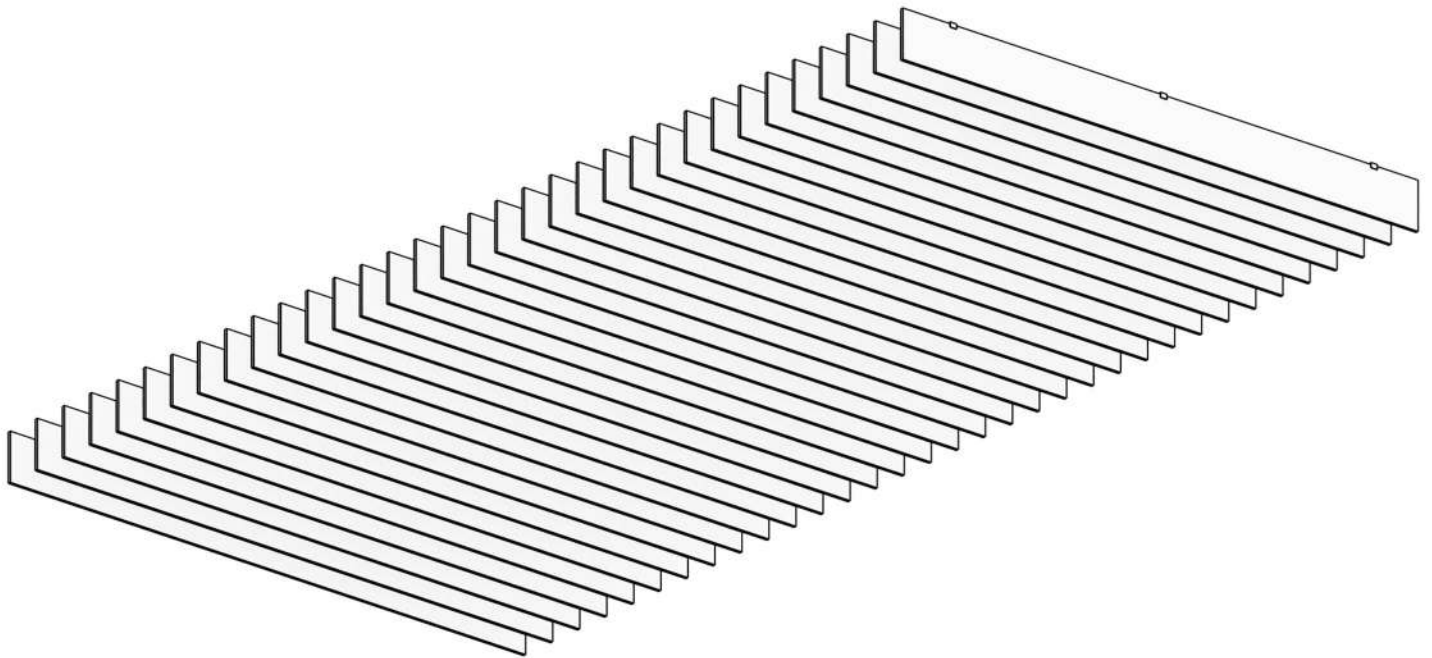
THICKNESS	HIEGHT	MAX LENGTH
12 mm	20 cm	278 cm
24 mm	40 cm	

Customized sizes are available.

DIMENSIONS



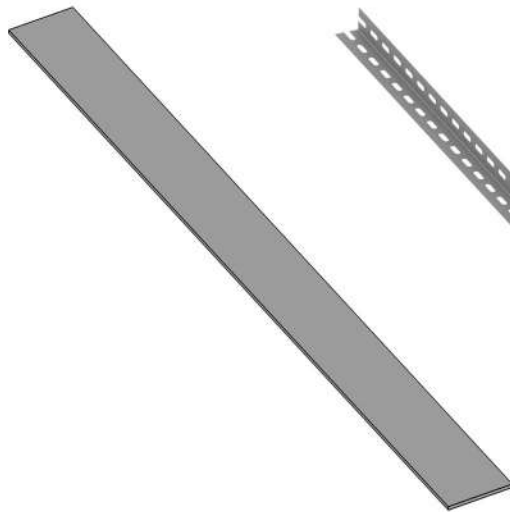
ISOMETRY



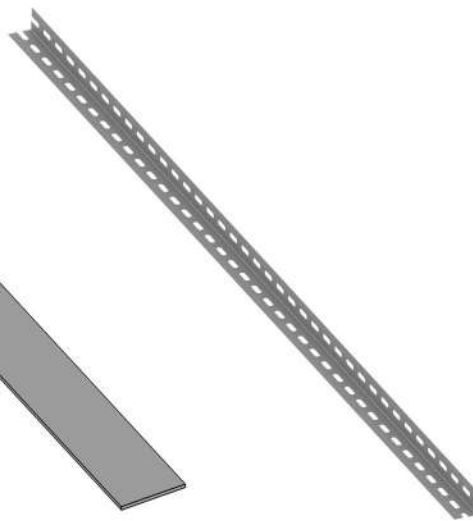
INSTRUCTIONS

These are your parts.

TYPE A (Uniformed Hanging)



Baffle



Perforated L Profile



Screw
& Nut

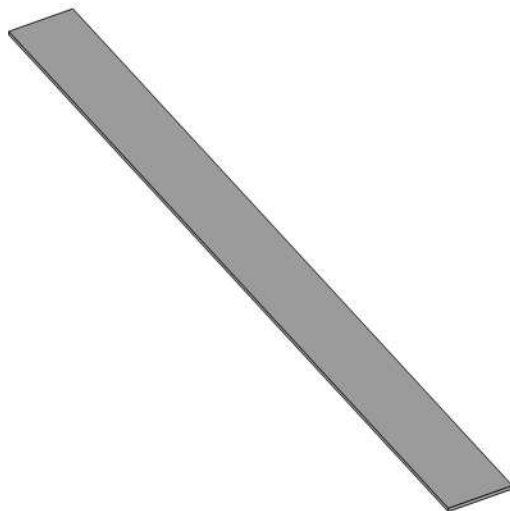


Adjustable
Hanger



Dedicated U Profile
24mm and 12mm, according
to Baffle

TYPE B (Free Hanging)



Baffle

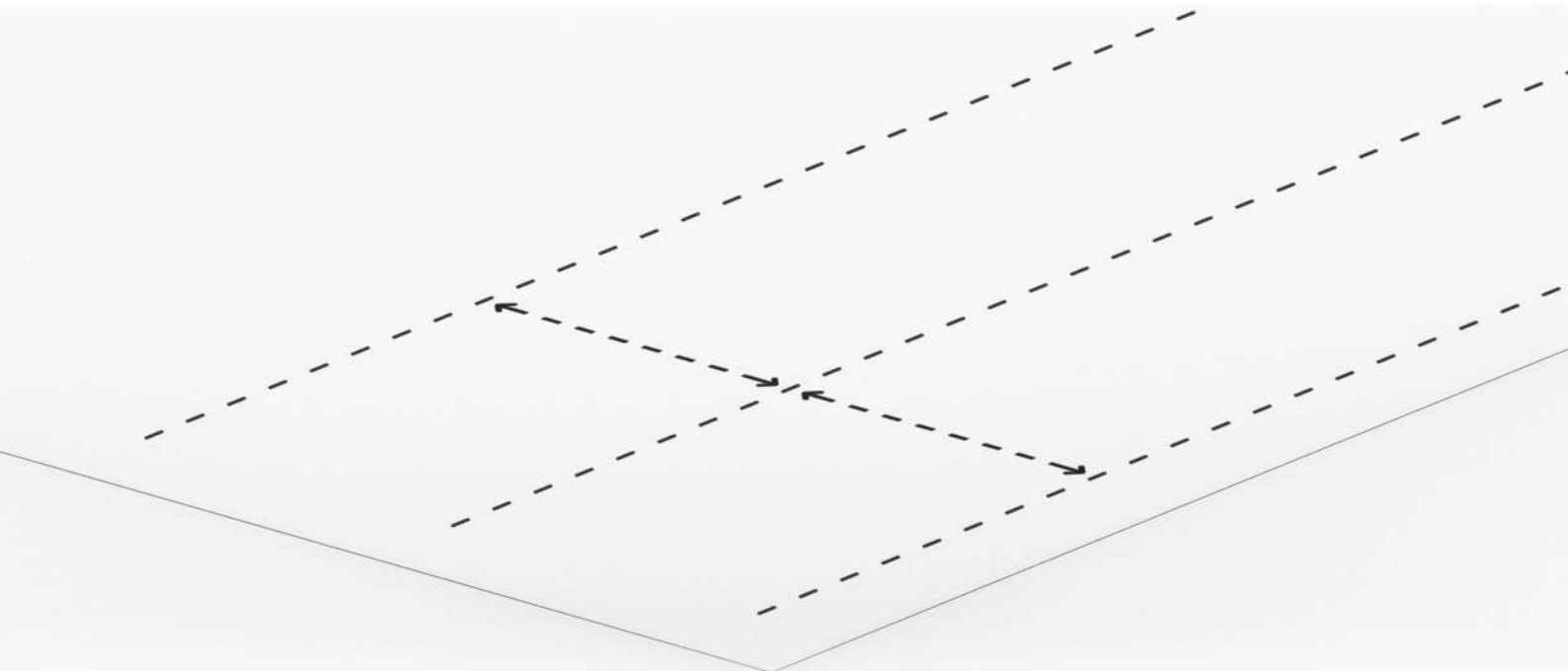


Dedicated Cable
Hanging Accessory



Dedicated U Profile
24mm and 12mm, according
to Baffle

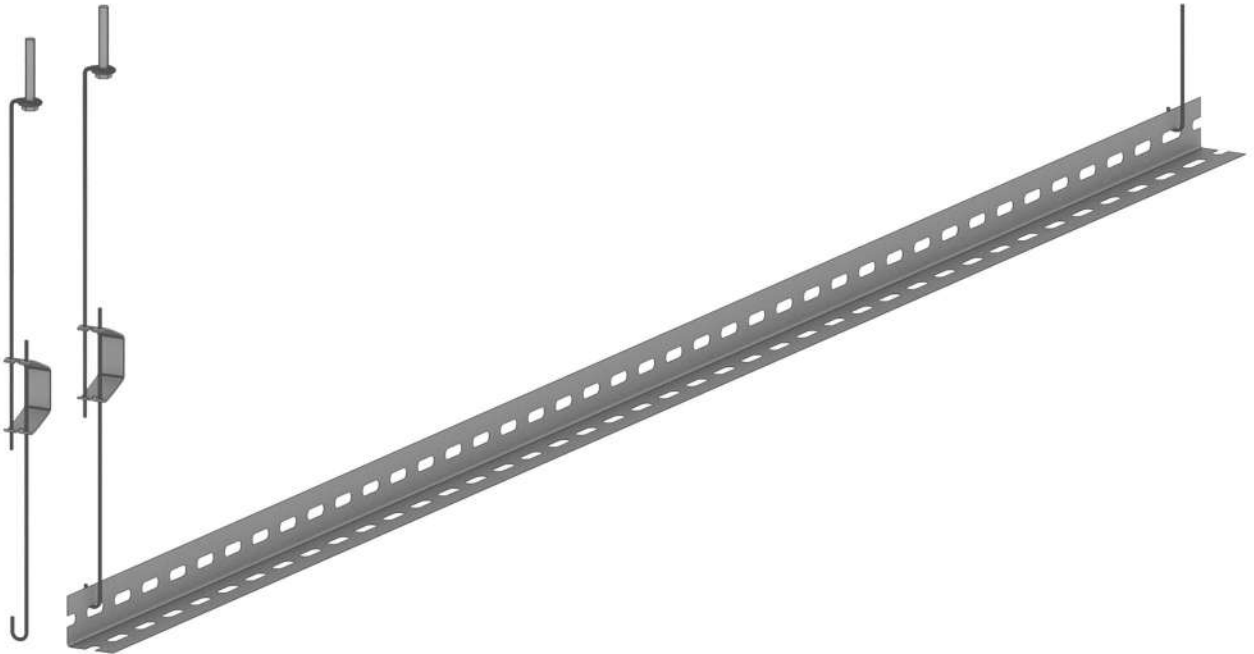
- ① **Mark the ceiling line on the above ceiling. Keep a gap of 80-120 cm between hanging rows.**



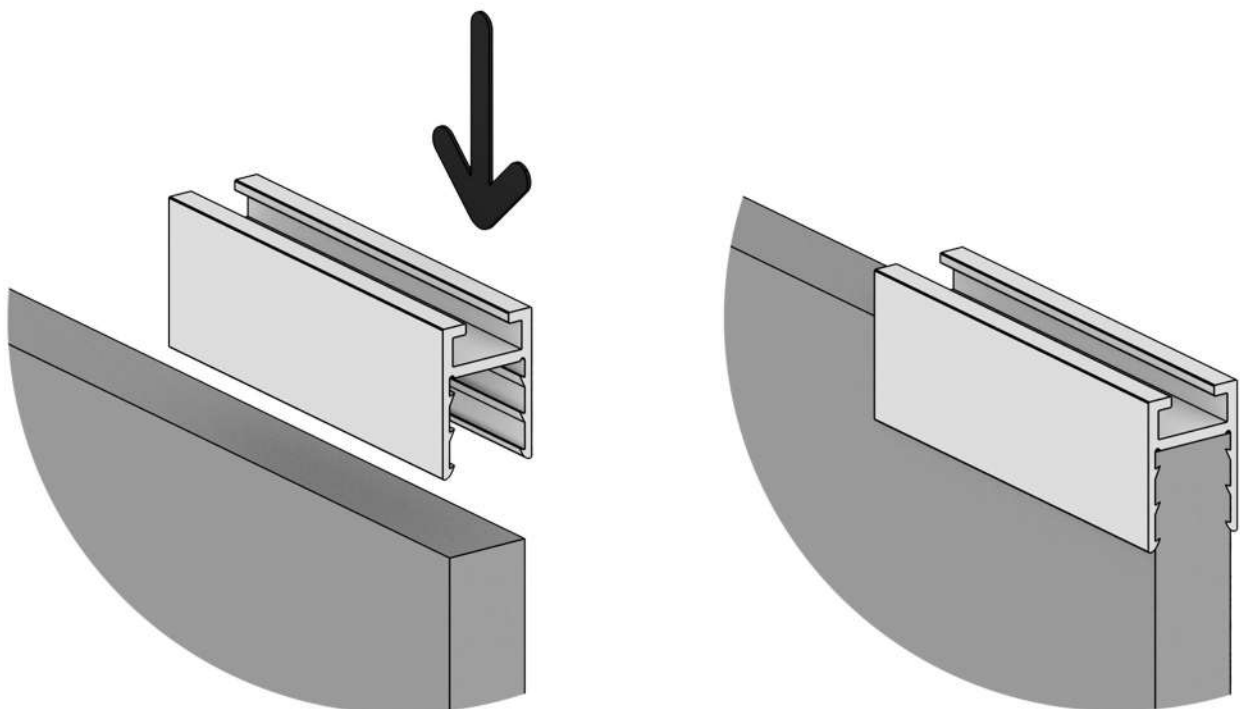
- ② **Install the adjustable hangers accordingly.**



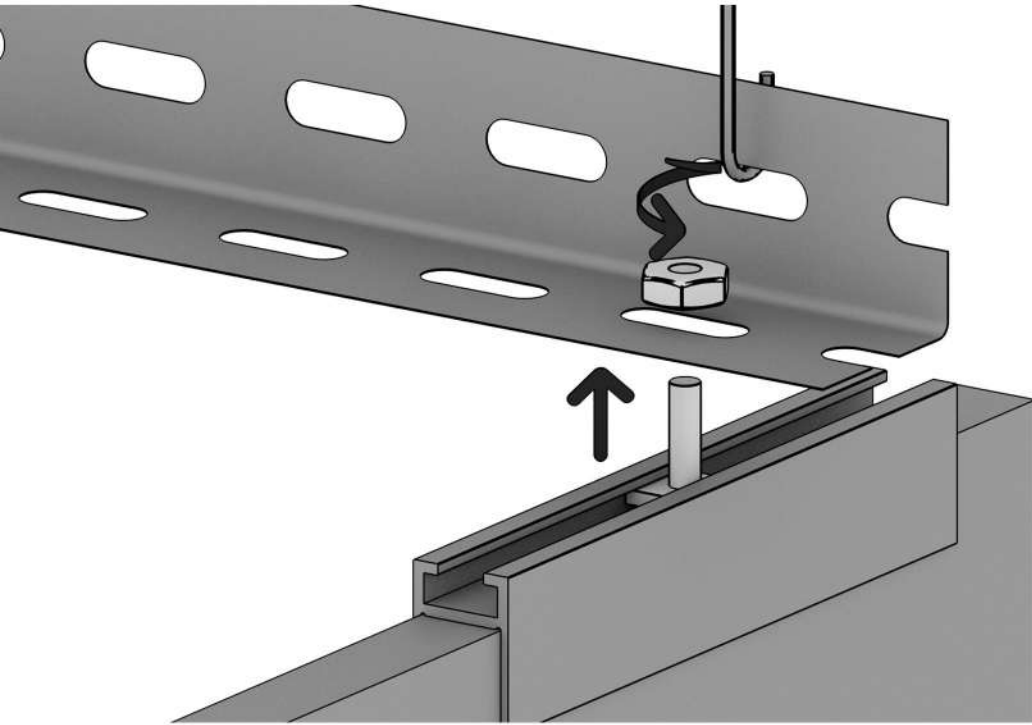
③ **Connect the Perforated L Profiles to the Adjustable Hangers.**



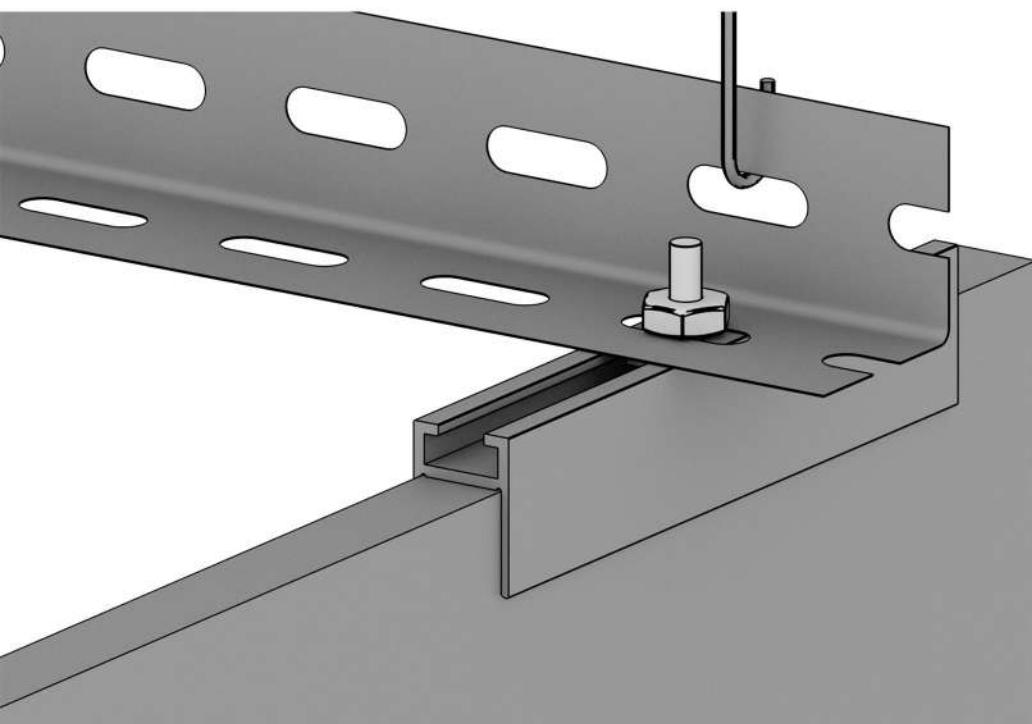
④ **Nail the U Profile into the Baffles.**
Make sure to do so all the way down.



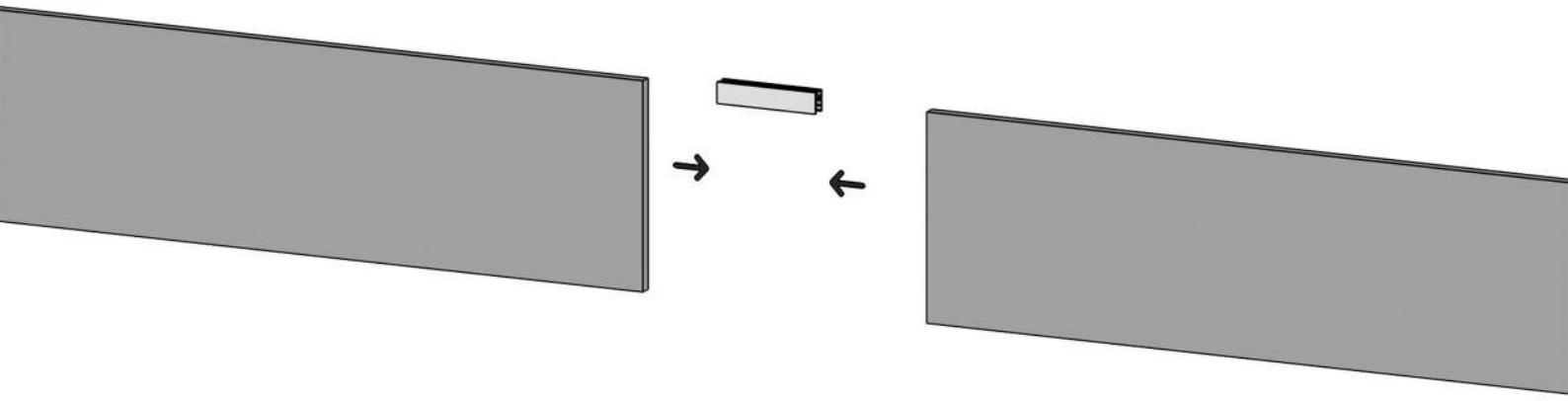
5 **Thread the screw into the U Profile.**



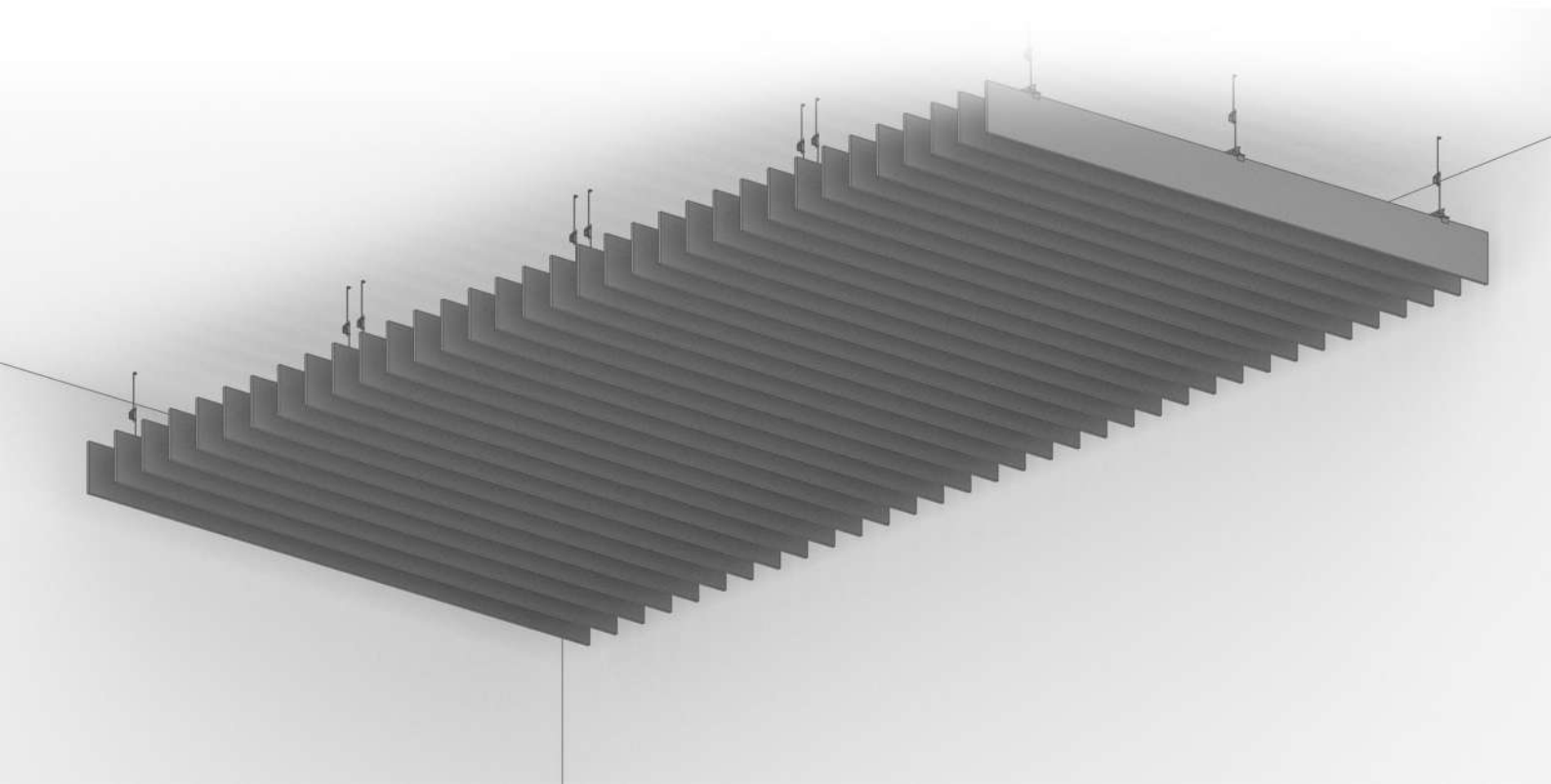
6 **Tighten the nut to the screw.**



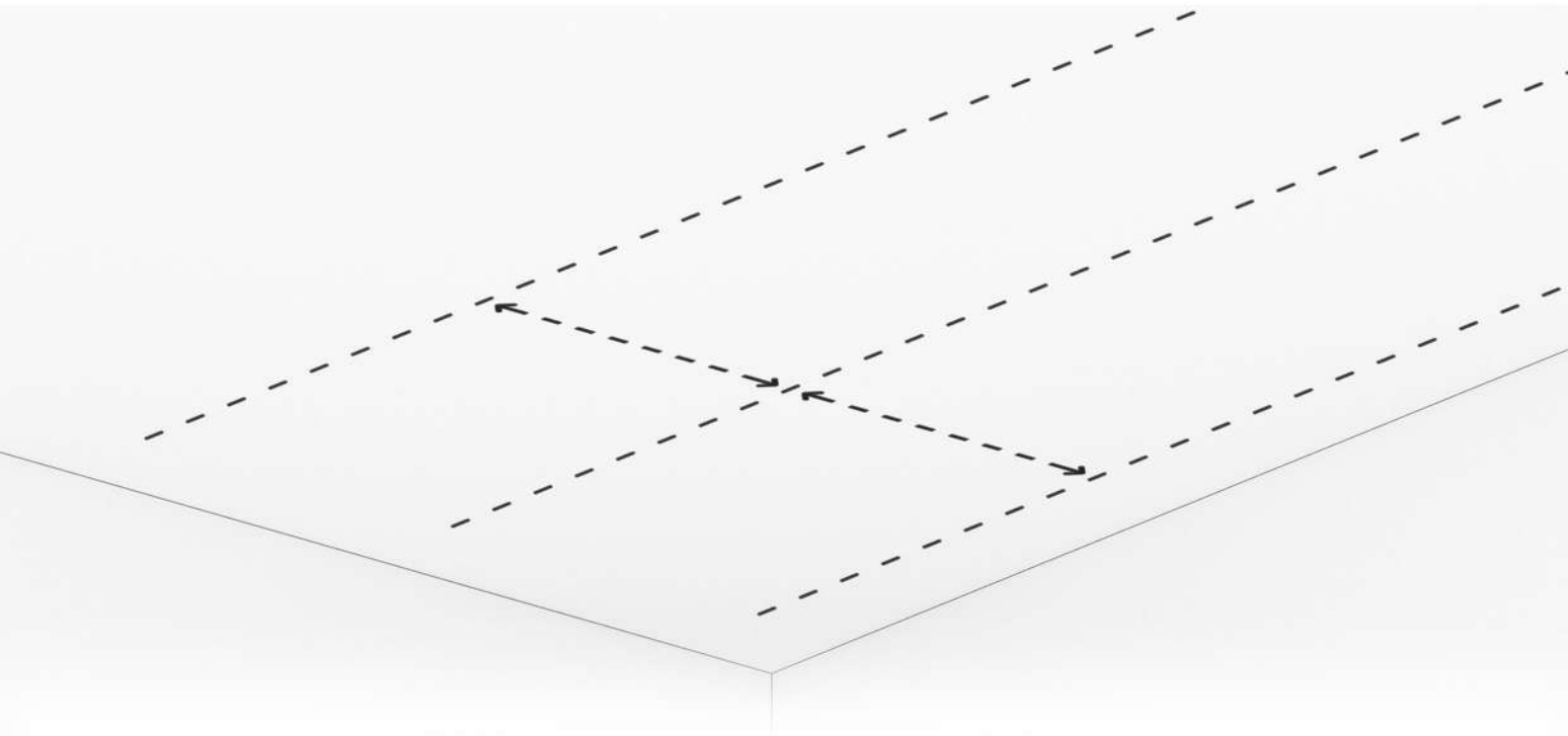
- 7 **When two Baffles aligned - make sure to connect them with a U Profile.**



- 8 **Repeat the process for the entire ceiling.**



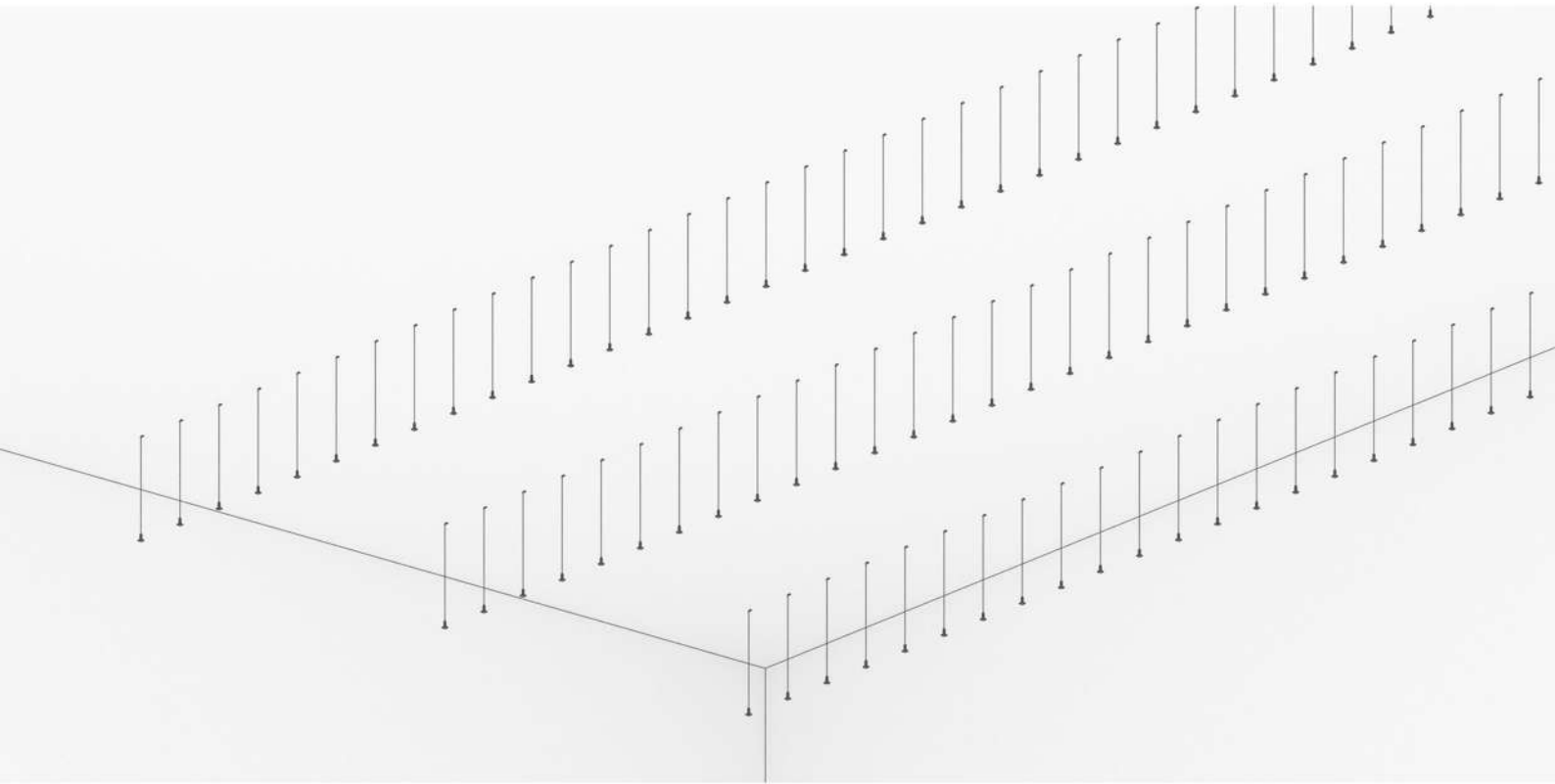
- ① **Mark the ceiling line on the above ceiling. Keep a gap of 80-120 cm between hanging rows.**



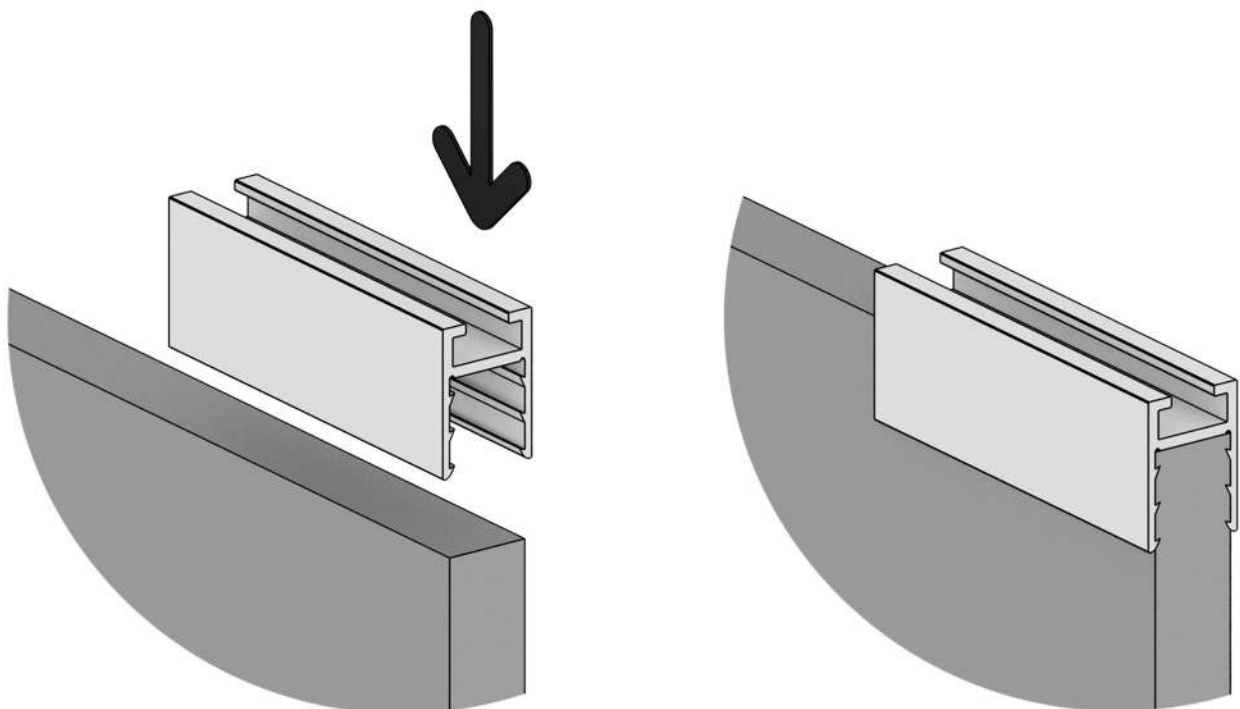
- ② **Install the adjustable hangers accordingly.**



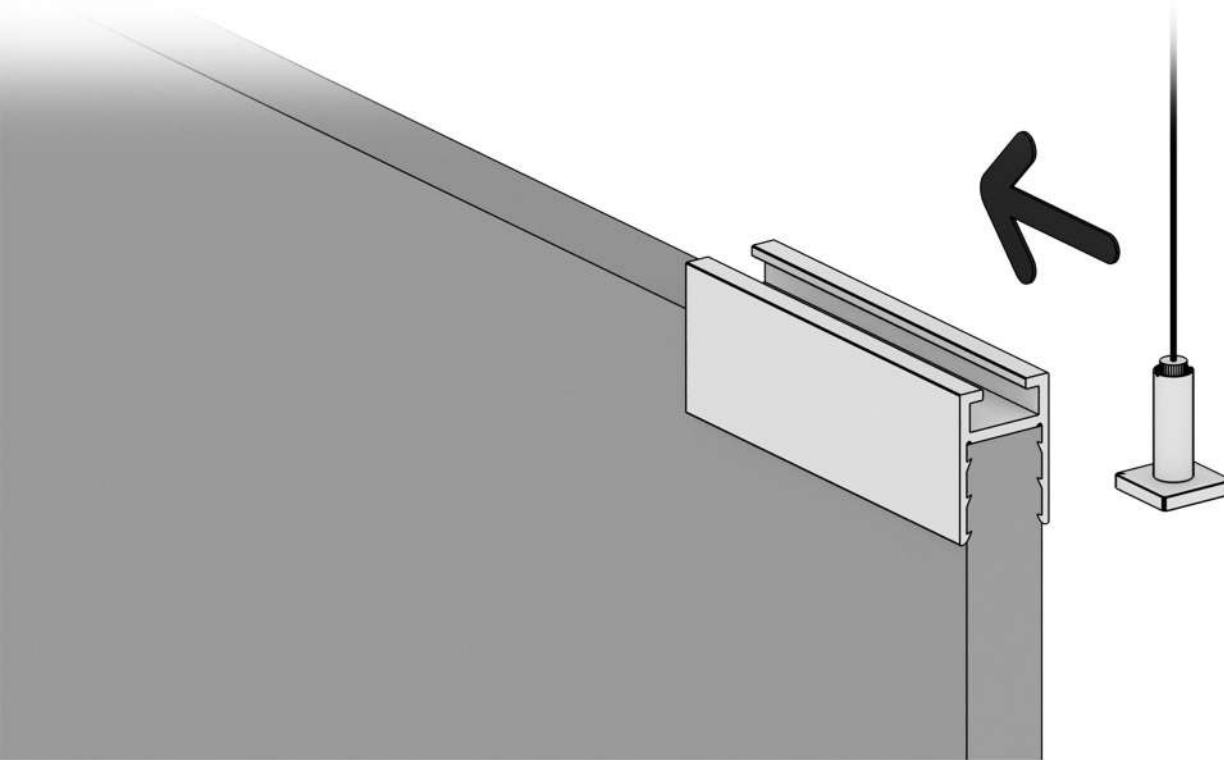
③ **Keep the gap at a consistent distance.**



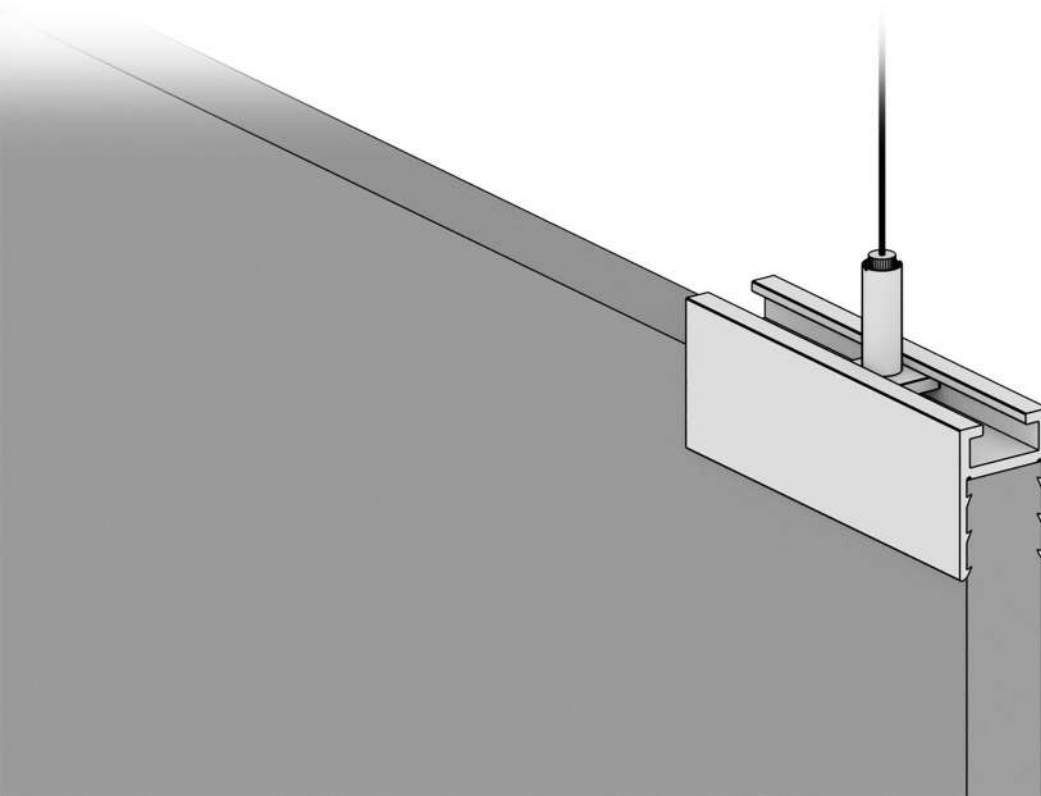
④ **Nail the U Profile into the Baffles.**
Make sure to do so all the way down.



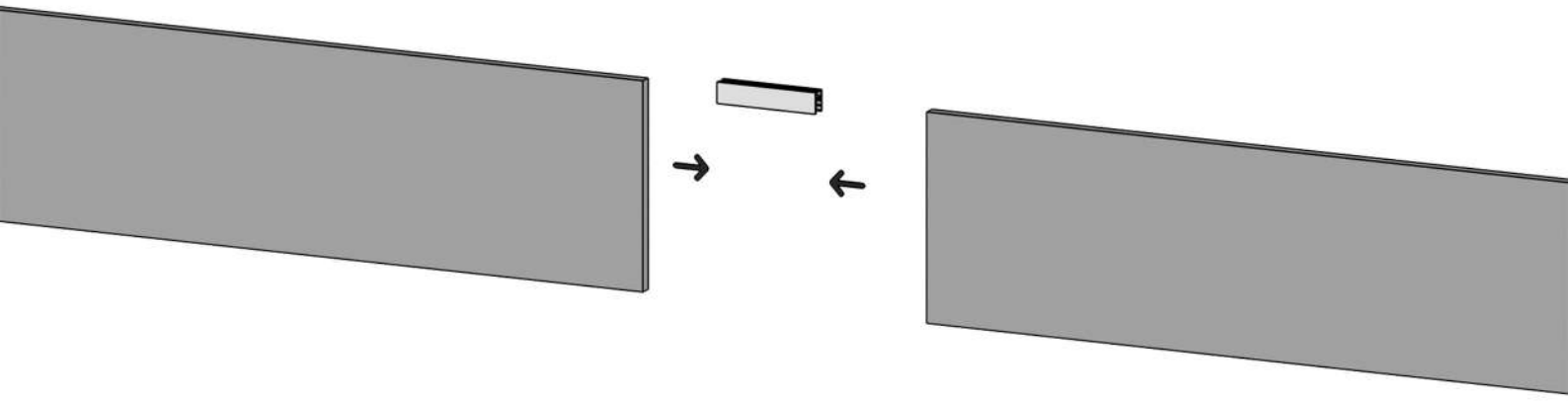
- 5 **Thread the dedicated cable hanging accessory into the U Profile.**



- 6 **Make sure it is properly tightened.**



- ⑦ **When two Baffles aligned - make sure to connect them with a U Profile.**



- ⑧ **Repeat the process for the entire ceiling.**

