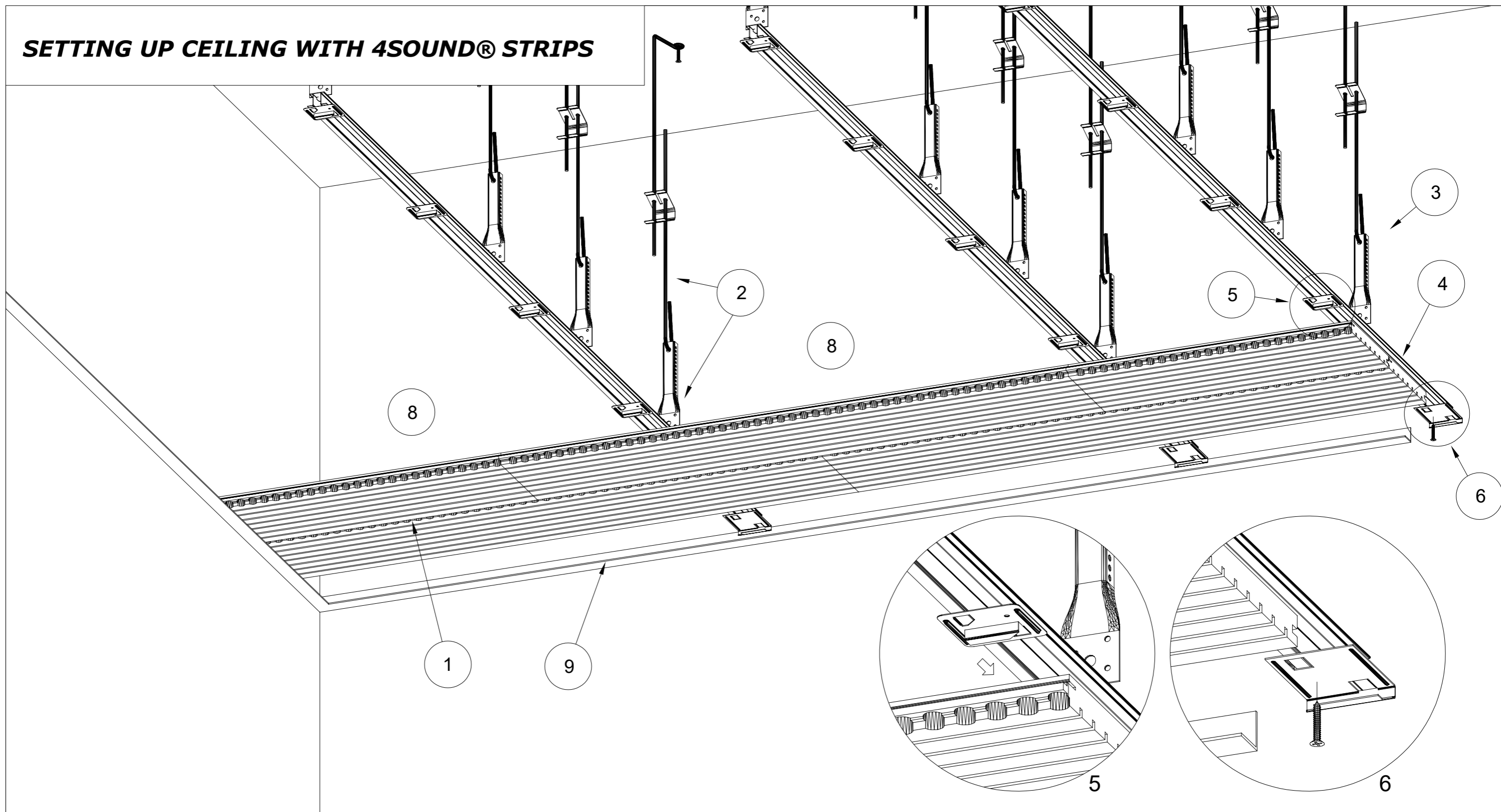


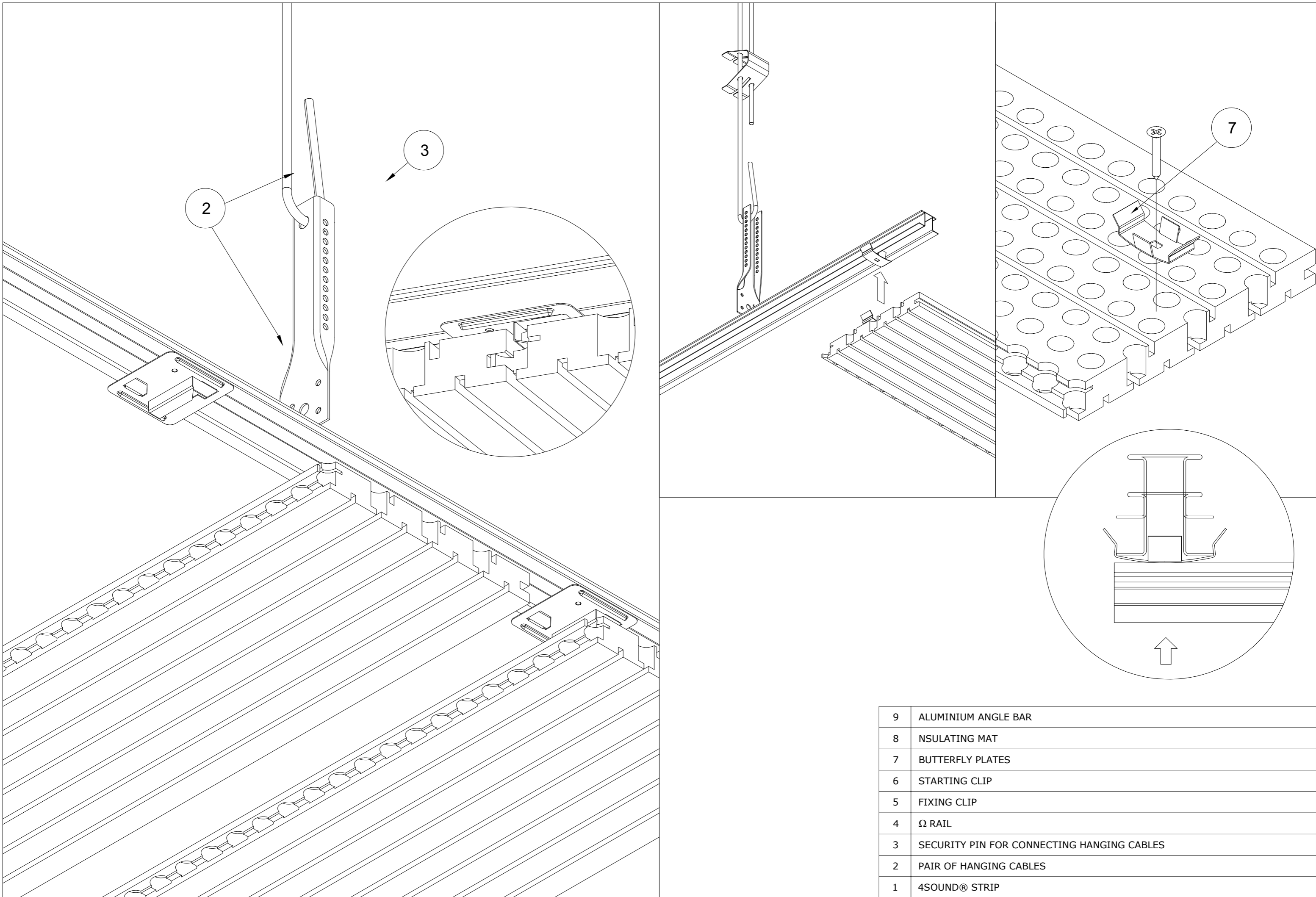
## SETTING UP CEILING WITH 4SOUND® STRIPS



### Installation instructions

- Build the metal support structure by fitting the  $\Omega$  rail (4) using the special hangers (2) at the required height from the ground. The recommended distance between the metal support rails and the hangers is about 60 cm
- The  $\Omega$  rails must be fitted at right angles to the direction of the 4sound® strips (1)
- Fit the perimeter rail (9) leaving a gap of 16 mm between the rail's horizontal seat and the support structure
- Place the female side of the first 4SOUND® strip up against the perimeter rail and secure it to the  $\Omega$  rail using the starter clip (6)
- Insert the butterfly plates (7) for a better tightness every 4 strips
- Place the second strip against the first and then continue with the subsequent strips, repeating the anchoring operation using the fixing clip (5) until installation has been completed. It is recommended that the fixing clips be secured to the support structure omega rail by means of self tapping screws.

9	ALUMINIUM ANGLE BAR
8	INSULATING MAT
7	BUTTERFLY PLATES
6	STARTING CLIP
5	FIXING CLIP
4	$\Omega$ RAIL
3	SECURITY PIN FOR CONNECTING HANGING CABLES
2	PAIR OF HANGING CABLES
1	4SOUND® STRIP



9	ALUMINIUM ANGLE BAR
8	INSULATING MAT
7	BUTTERFLY PLATES
6	STARTING CLIP
5	FIXING CLIP
4	Ω RAIL
3	SECURITY PIN FOR CONNECTING HANGING CABLES
2	PAIR OF HANGING CABLES
1	4SOUND® STRIP