



 echoshape

CEILING

Jilly

The Jilly is a family of 3D acoustic wall panels with a classic wave lines design. The Jilly panels create a continuance lines pattern when in row. The Jilly family includes 4 different patterns: small, medium, large and mix that can be combined to create a seamless look and varying rhythms. The panels come in a variety of shades from our updated color palette, and can be painted in any desired shade.



MODEL MEDIUM

THICKNESS

10 mm

SIZE

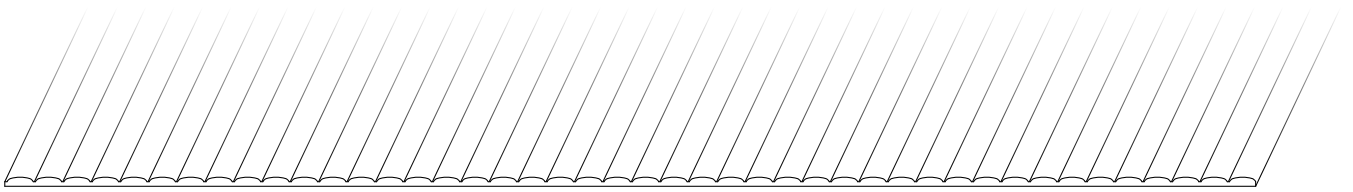
2300x1100 mm



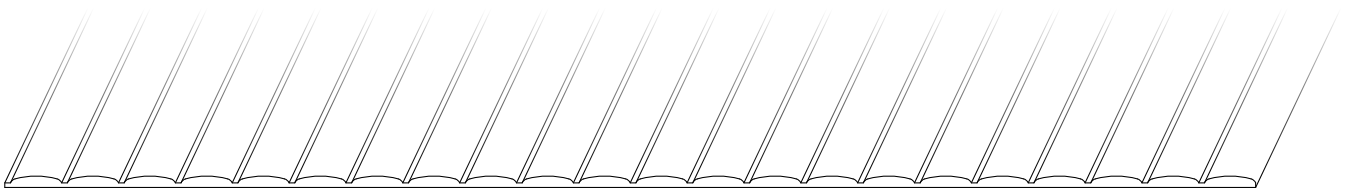
Specifications	3
Isometry	4
Models	5
Color Palette	6
Wood Collection	8
Installation	10



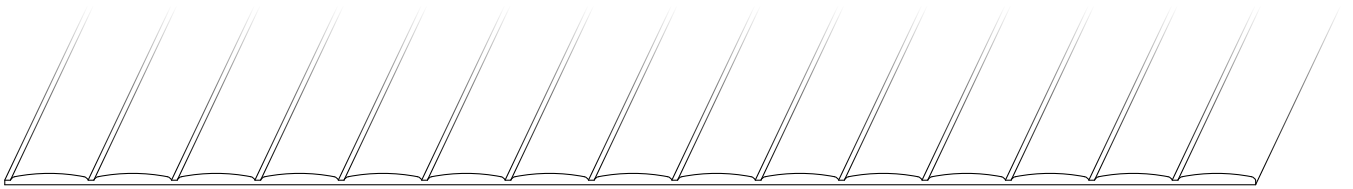
Manufactured From	Panels						
Composition	100% Polyester (PET)						
Sustainability	70% Recycled drinking bottles						
Application	Ceiling covering						
Fire Rating	GN13501-1 B S-1 d0						
Size	2300×1100 mm						
Thickness	10 mm (tolerance ±7%)						
Installation	Varies						
NRC	<table border="0" style="width: 100%;"> <tr> <td style="padding-right: 20px;">0 mm gap</td> <td style="border-left: 1px solid black; padding-left: 20px;">aw = 0.25</td> </tr> <tr> <td>5 mm gap</td> <td style="border-left: 1px solid black; padding-left: 20px;">aw = 0.55 (beteen product and back plain)</td> </tr> <tr> <td>200 mm gap</td> <td style="border-left: 1px solid black; padding-left: 20px;">aw = 0.85 (beteen product and back plain)</td> </tr> </table>	0 mm gap	aw = 0.25	5 mm gap	aw = 0.55 (beteen product and back plain)	200 mm gap	aw = 0.85 (beteen product and back plain)
0 mm gap	aw = 0.25						
5 mm gap	aw = 0.55 (beteen product and back plain)						
200 mm gap	aw = 0.85 (beteen product and back plain)						
VOC	According to GN ISO 16000-9 Standard: A+						
Pattern Repeat	Non-woven with a consistent pattern repeat. Despite slight variations due to fiber blending and lay-up, inherent to the product, it maintains uniformity in design, offering a unique yet coherent aesthetic.						
Color Fading	Assessment of color fastness according to EN 1587 Assessed against the grey scale ISO-A02.						
Care	Can be simply clean using a damp cloth and vacuum cleaner.						



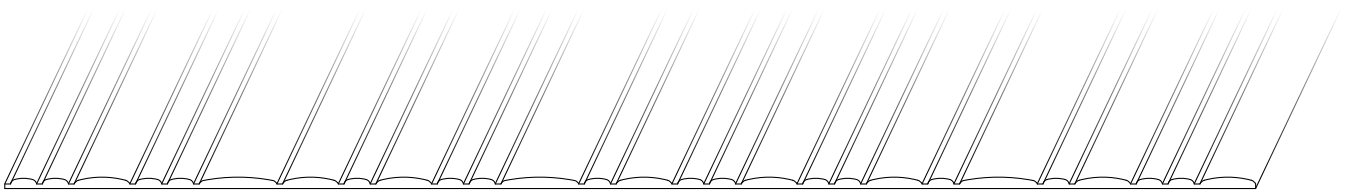
Jilly Small



Jilly Medium



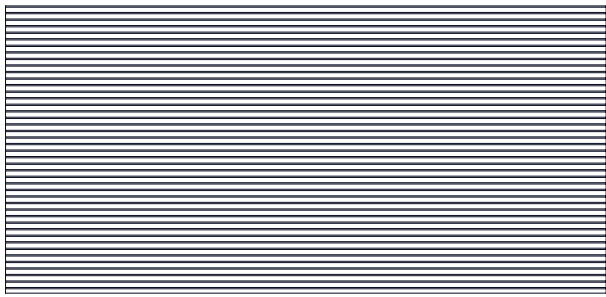
Jilly Large



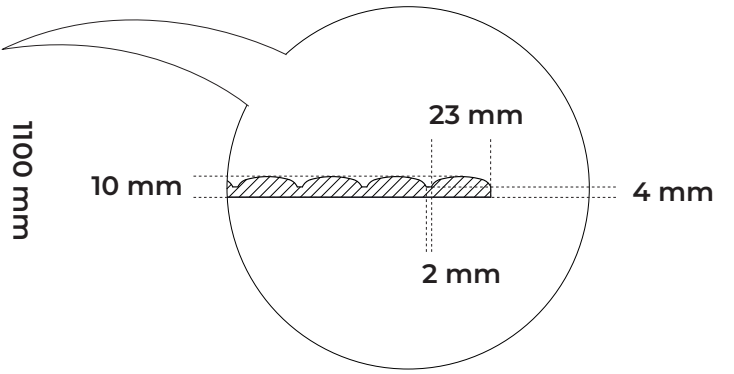
Jilly Mix



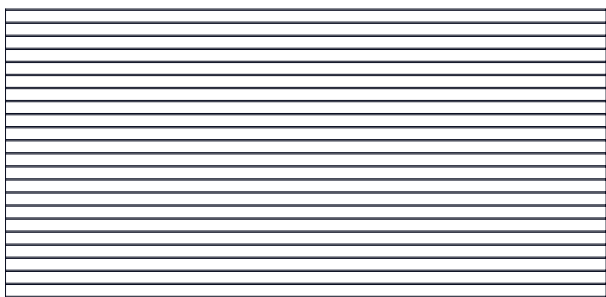
Jilly Small



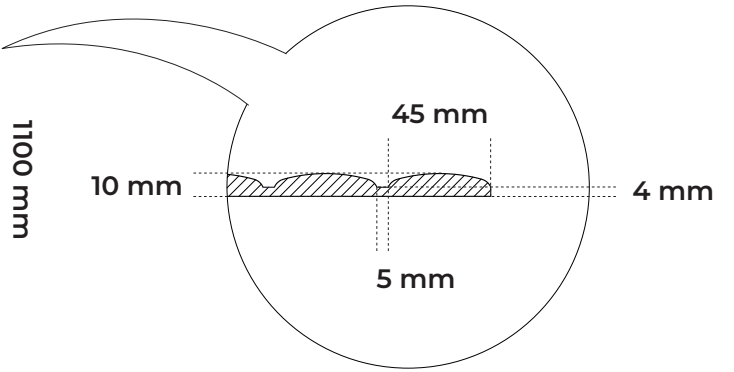
2300 mm



Jilly Medium



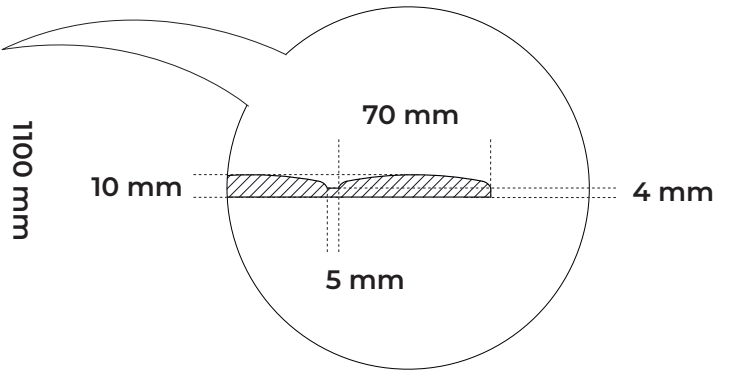
2300 mm



Jilly Large



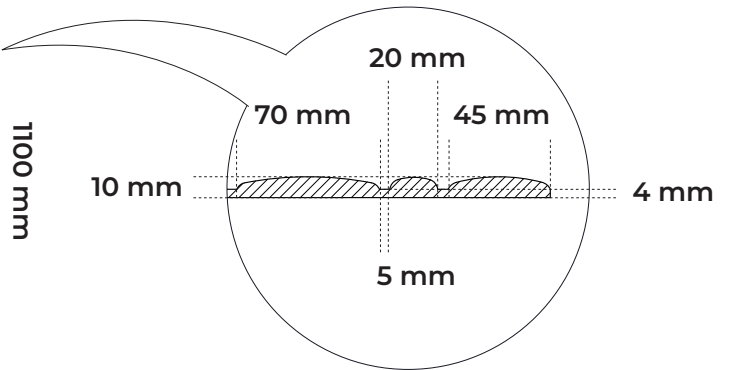
2300 mm

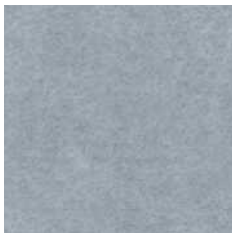


Jilly Mix



2300 mm





Light Grey
EP28



White
EP24



Cream
EP43



Taupe
EP22



Sea Sand
EP208



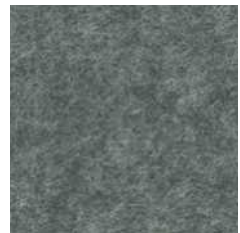
Beighe
EP07



Olive Leaf
EP207



Mocca
EP14



Gray Khaki
EP93



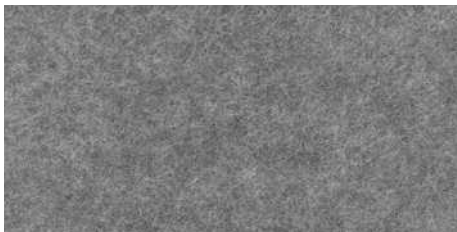
Autumn Green
EP45



Forest Green
EP103



Cypres Tree
EP803



Grey Stone
EP206



Dark Grey
EP18



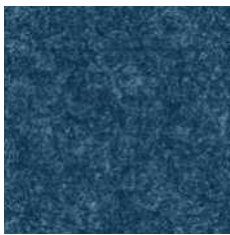
Silver
EP03



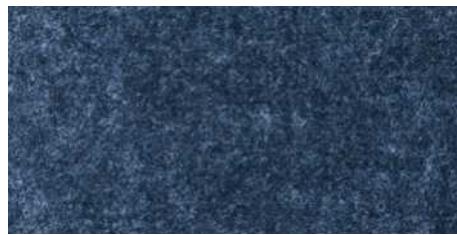
Bright Horizon
EP608



Light Blue
EP05



Blue Ocean
EP50



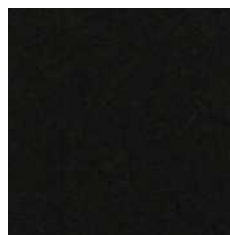
Blue Jeans
EP92



Dark Blue
EP51



Ash
EP04



Black
EP09



Black Berry
EP57



Rose Shadow
EP405



Cherry
EP123



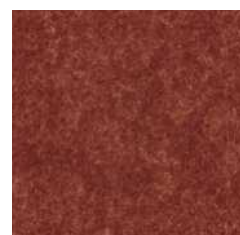
Red
EP25



Yellow
EP11



Orange
EP06



Terra Cotta
EP125



Strip Wenge
EPW0202



American Walnut
EPW0203



Teak
EPW0302



Flower American Cherry
EPW0303



Strip American Cherry
EPW0304



Strip European White Oak
EPW0401



Flower European White Oak
EPW0402



Bamboo
EPW0403



Split Oak
EPW0404



Flower Red Oak
EPW0405



Smoked Ashe
EPW0406



Strip White Oak
EPW0407



Smoked Oak
EPW0408



Wood Wool
EPW0503



Strip Maple
EPW0504



Birch
EPW0505



Restored Flower Maple
EPW0602



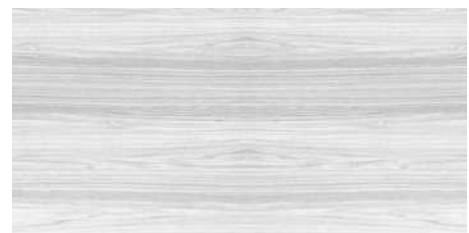
Strip Birch
EPW0603



Strip Greige Oak
EPW0702



Strip Grey Oak
EPW0703



Strip Whiten Oak
EPW0704



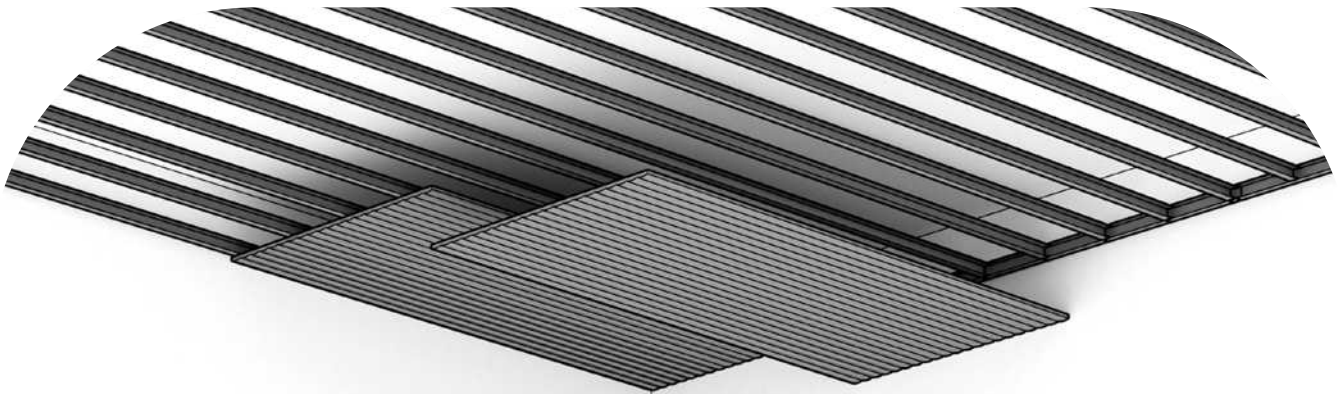
PREPARATIONS

Make sure that the ceiling on which you are installing the Jilly is leveled or distanced equally, and prepare construction silicon.

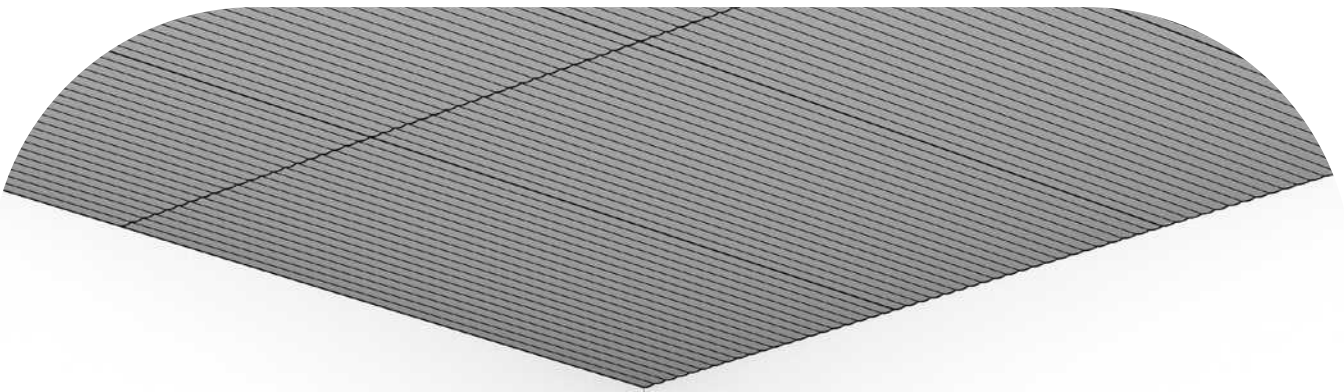
STEP 1

Apply a strip of silicon to the back of the Jilly tile.



**STEP 2**

Glue each tile while one track is at the center of the tile and the two on each edge.

**STEP 3**

Repeat the process for the entire ceiling.