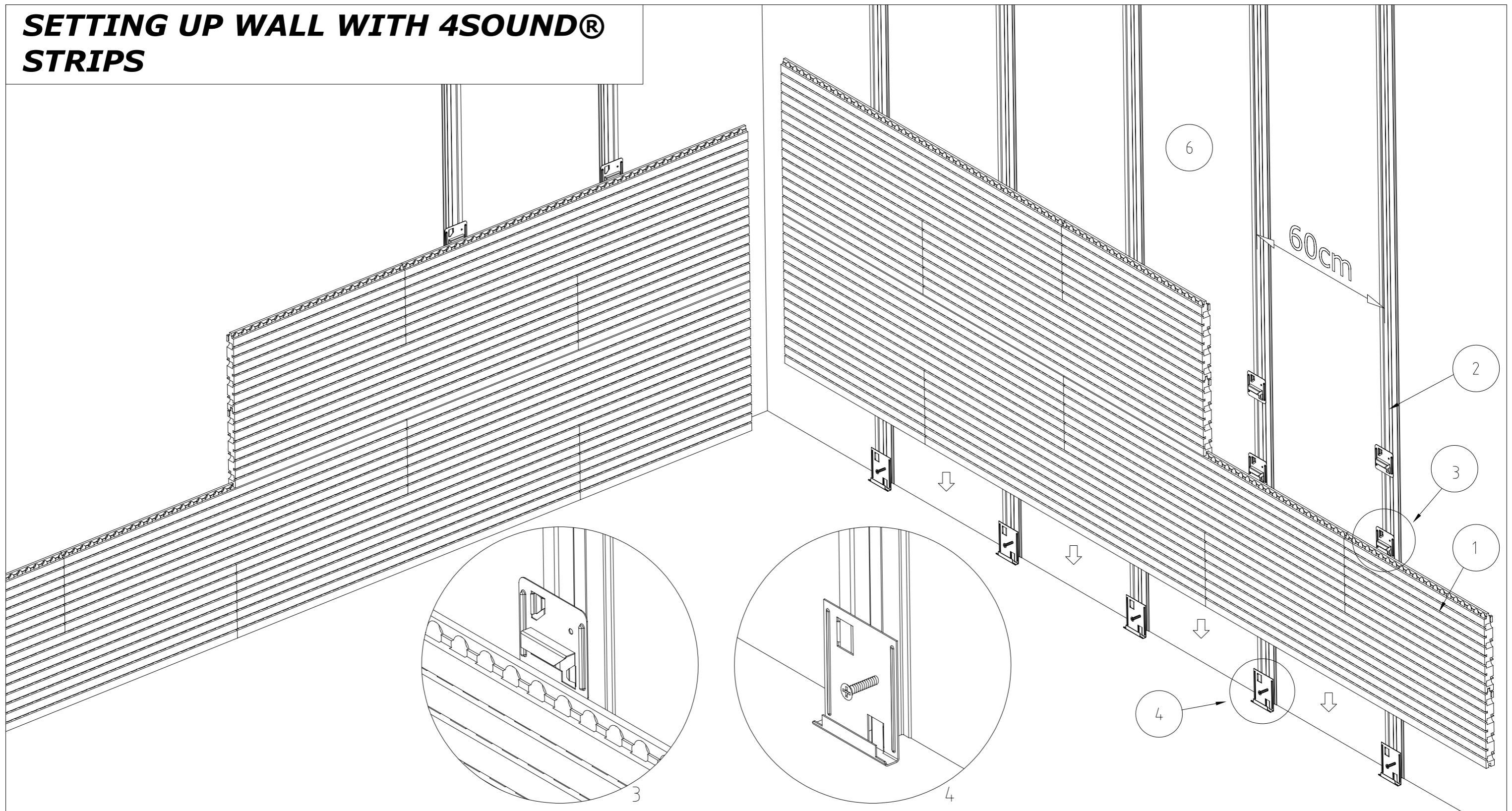


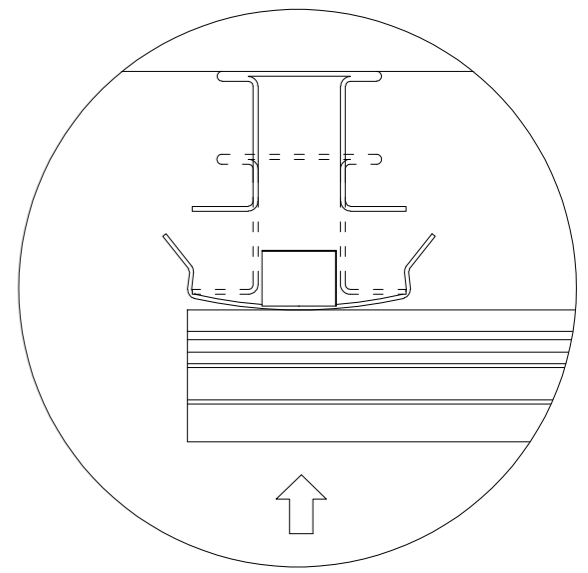
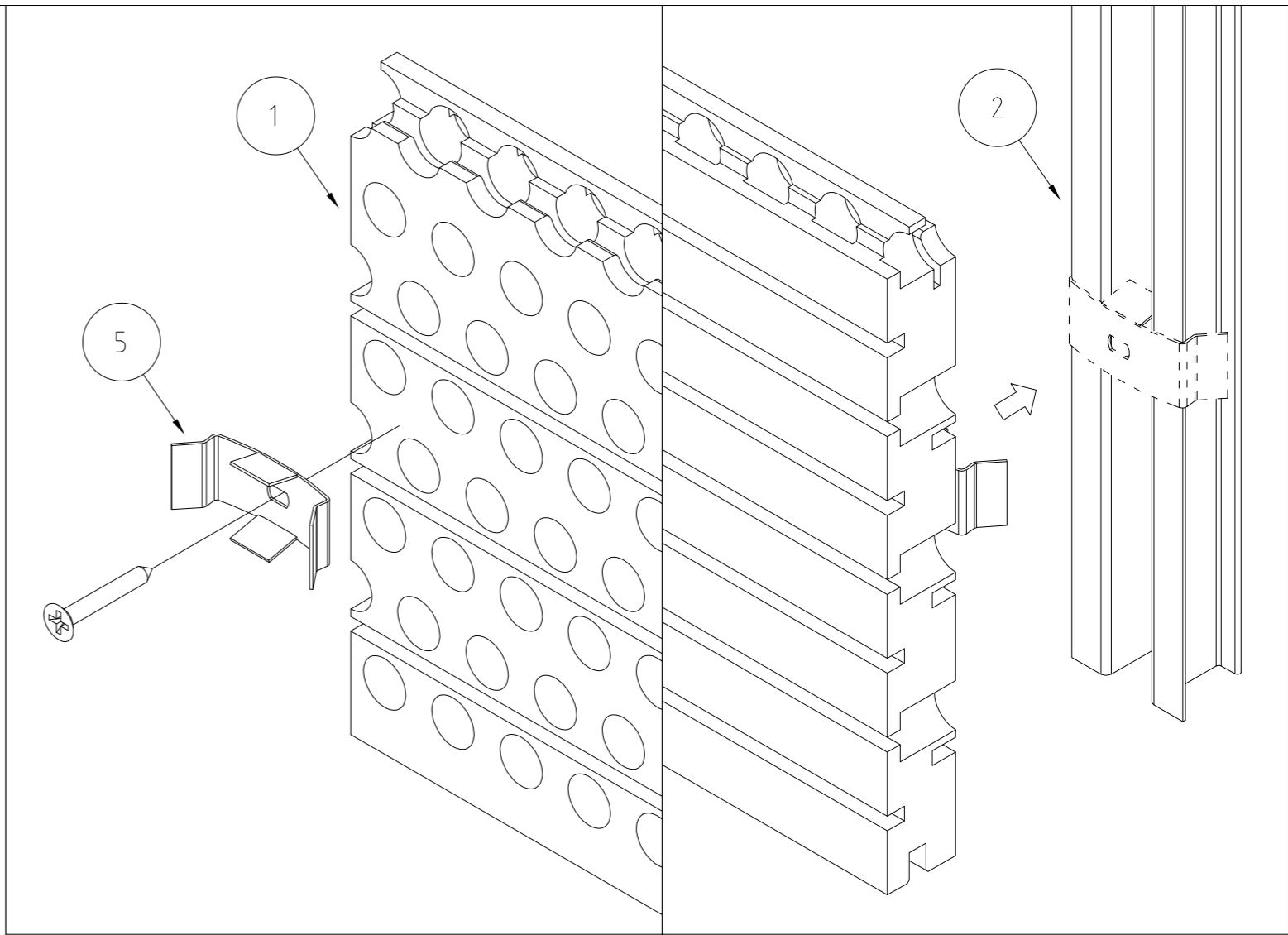
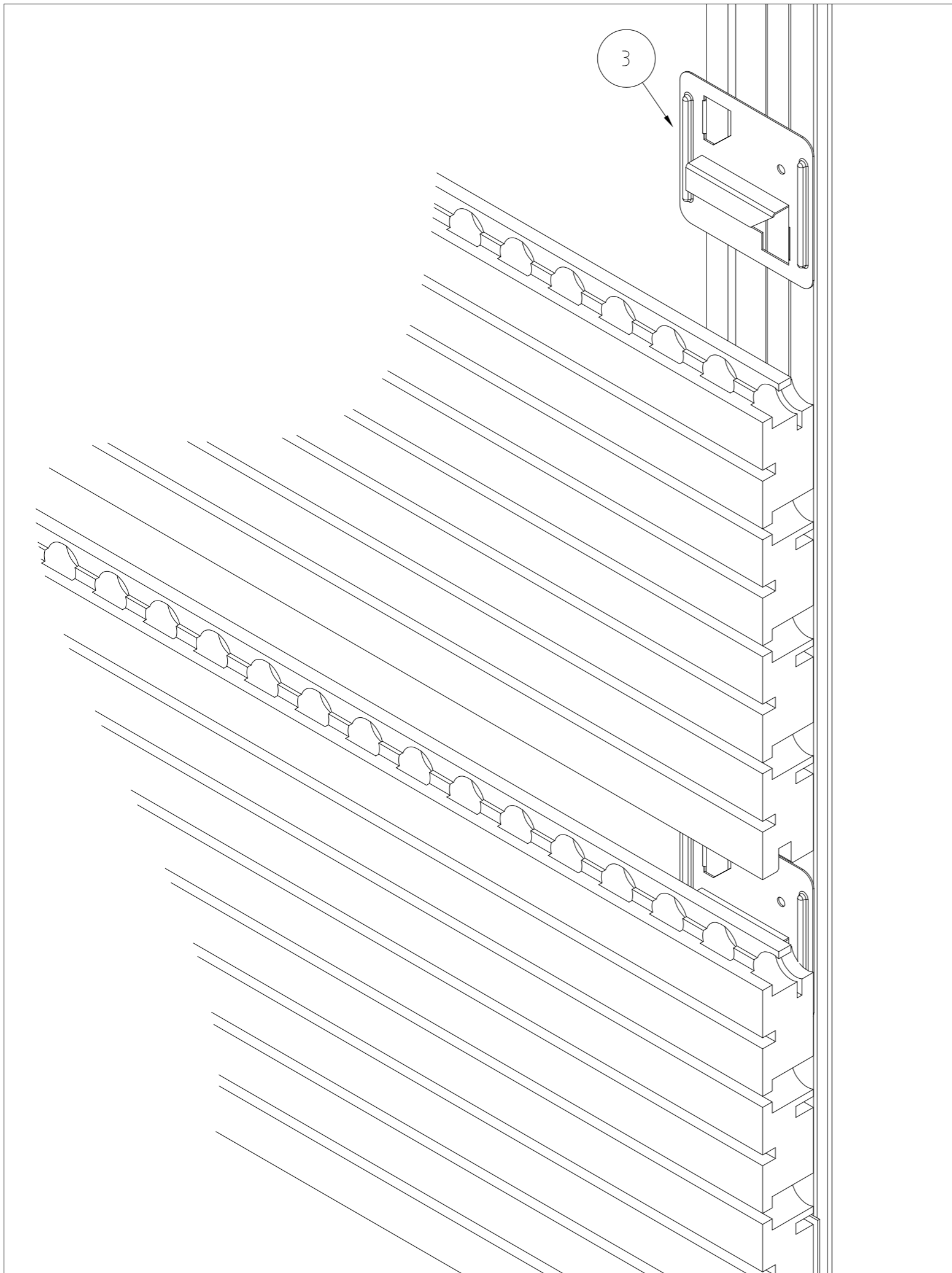
# SETTING UP WALL WITH 4SOUND® STRIPS



## Installation instructions

- Secure the Ω rail (2) to the wall using appropriate hardware every 60cm
- Lay the mineral fibre panels (6) between the metal rails
- Insert the starting clip (4) on each Ω rail
- Place the first 4SOUND® strip (1) with female side towards the floor and secure it with starter clips (4)
- Insert the butterfly plates (5) for a better tightness every 4 strips
- Insert the fixing clip (3) to anchor the male side.
- Then position subsequent strips above the first strip, securing them in the same way.

6	INSULATING MAT
5	BUTTERFLY PLATES
4	STARTING CLIP
3	FIXING CLIP
2	Ω PROFILE
1	4SOUND®



6	INSULATING MAT
5	BUTTERFLY PLATES
4	STARTING CLIP
3	FIXING CLIP
2	Ω PROFILE
1	4SOUND®