

CEILINGS
INSTALLATION GUIDE

Feltline Corridor

Continuous elongated tiles that produce a continuous linear appearance to the space. Designed for narrow spaces such as corridors, can be unmounted very easily. The units connect to each other in a minimal disconnect slot. A selection of shades from an existing fan of colors. Can be painted in any desired shade.

THICKNESS

6 mm

9 mm

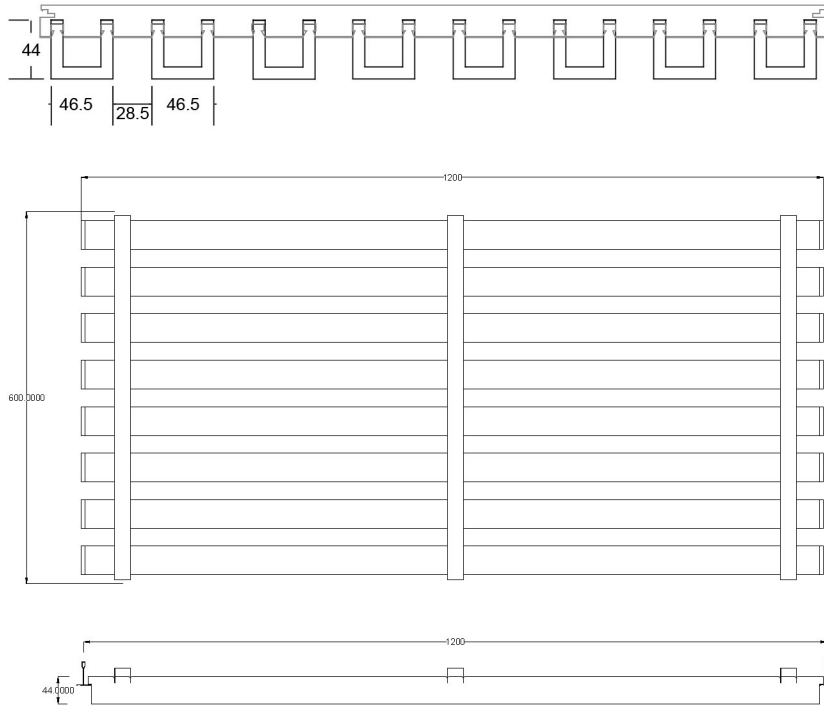
LENGTH

120x60 cm

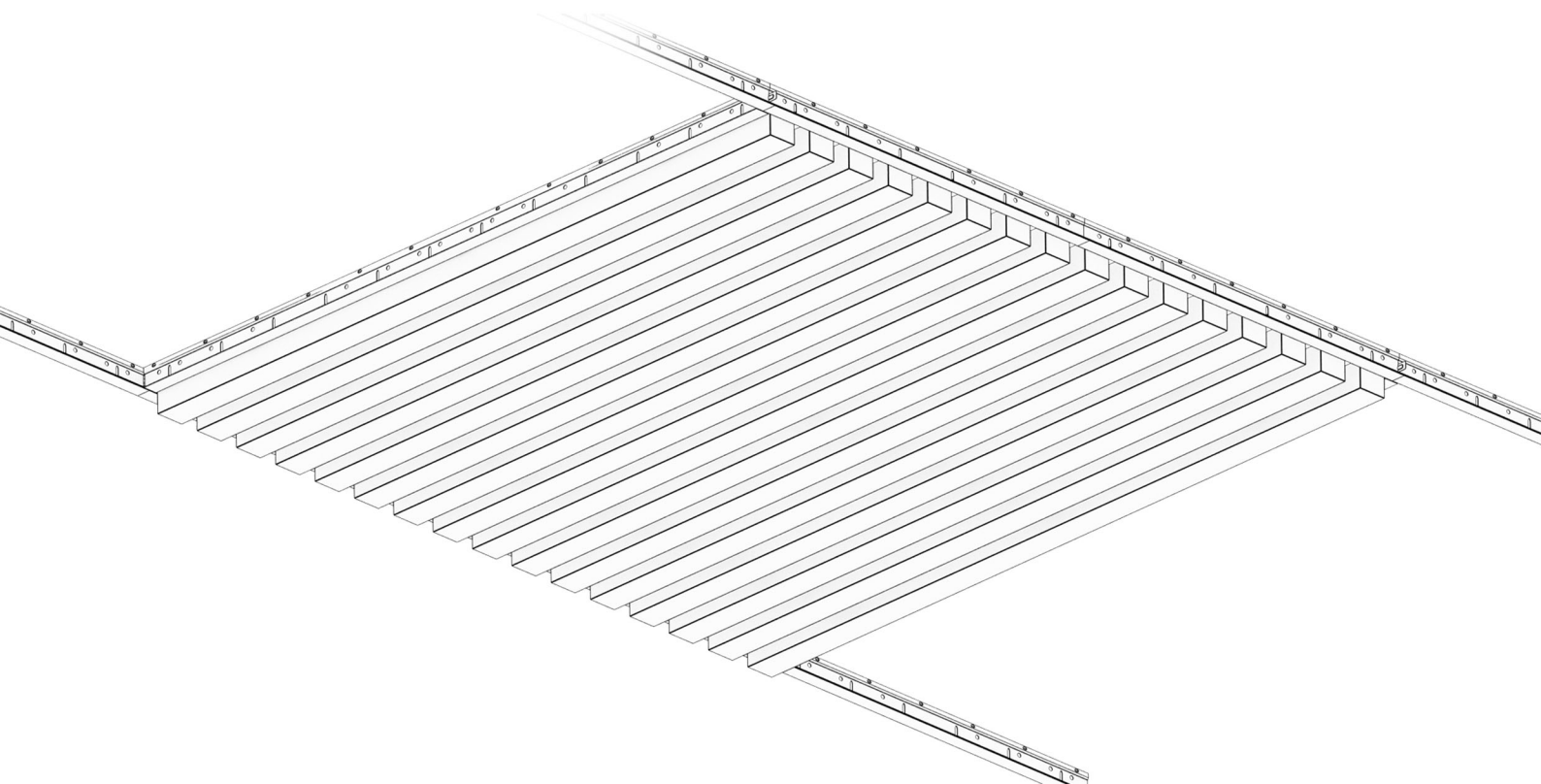
240x60 cm

Customized sizes are available.

DIMENSIONS

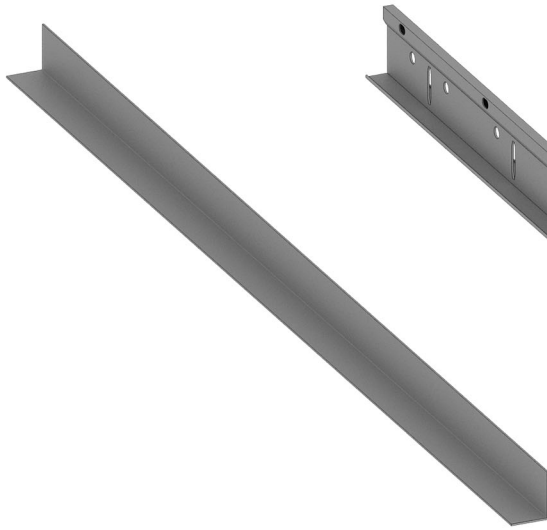


ISOMETRY

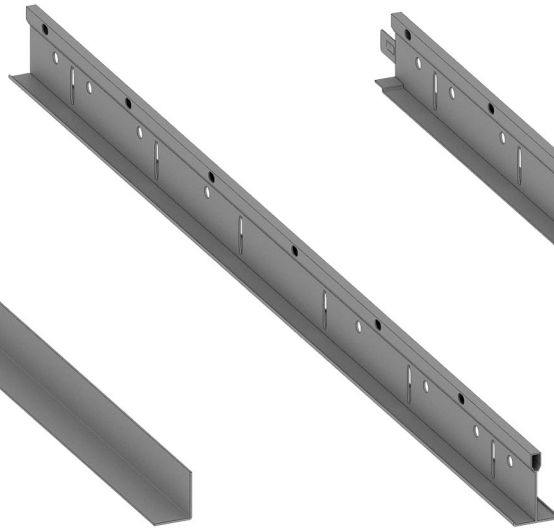


INSTRUCTIONS

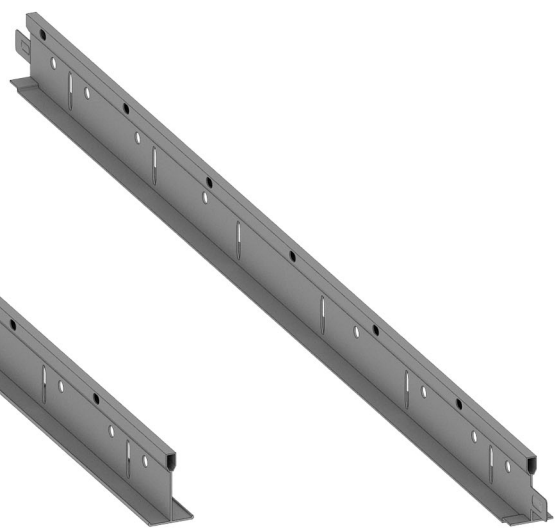
These are your parts.



L Profile



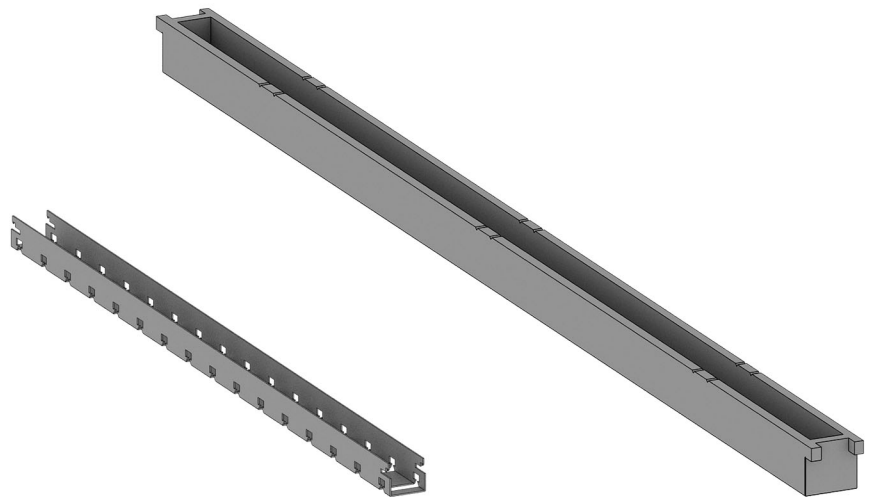
T24 Main Profile



T24 Side Profile



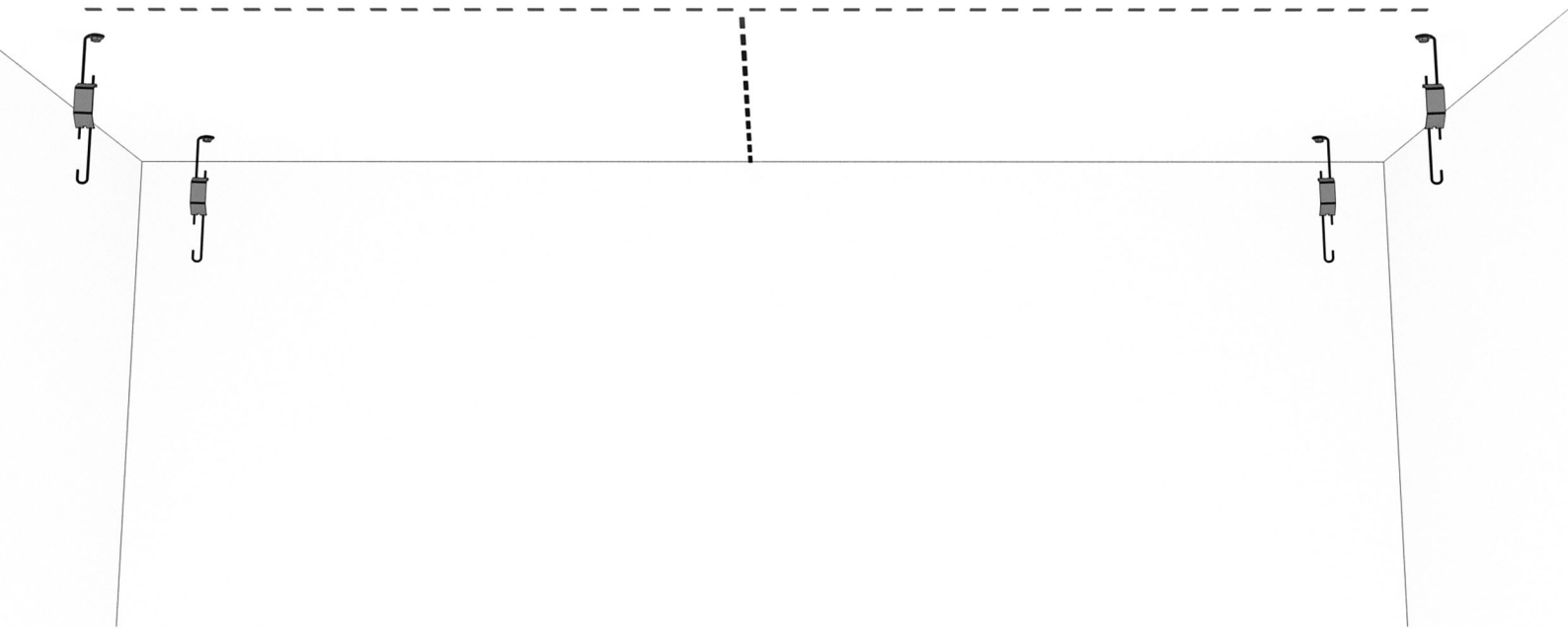
Adjustable Hanger



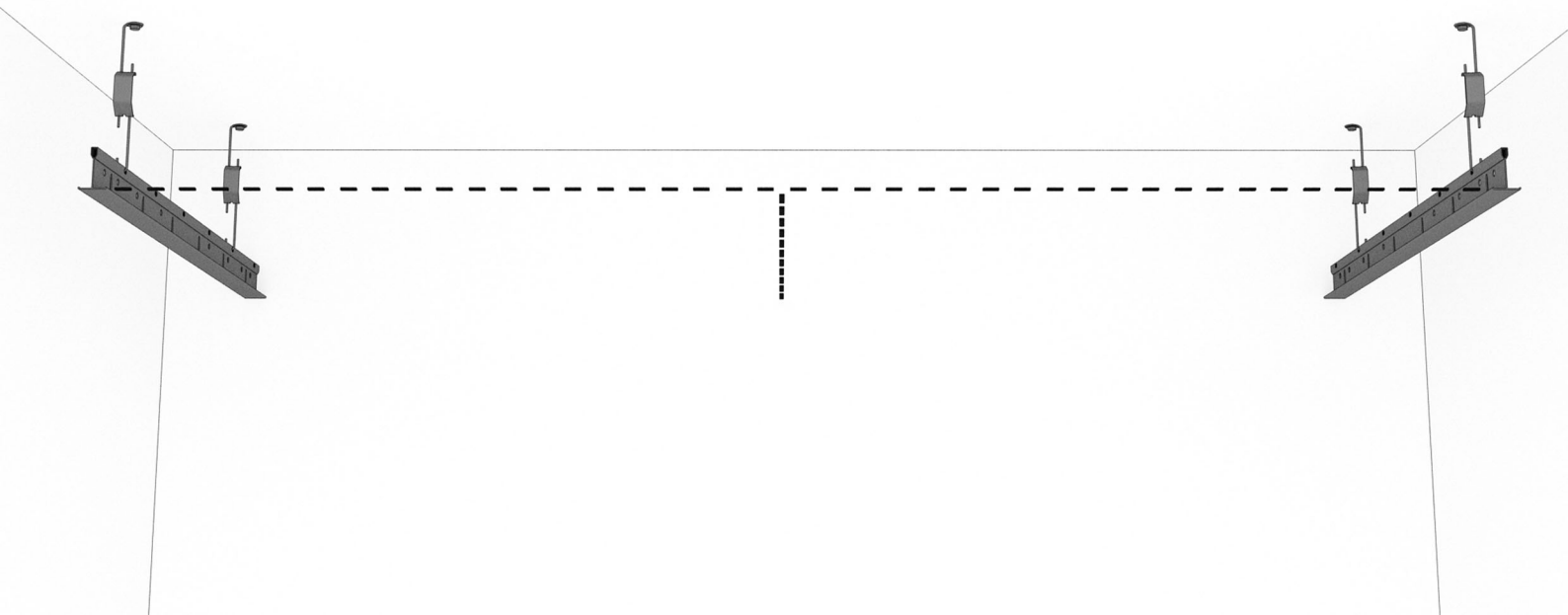
Bridge
X3 for each tile

Lamela
X8 for each tile

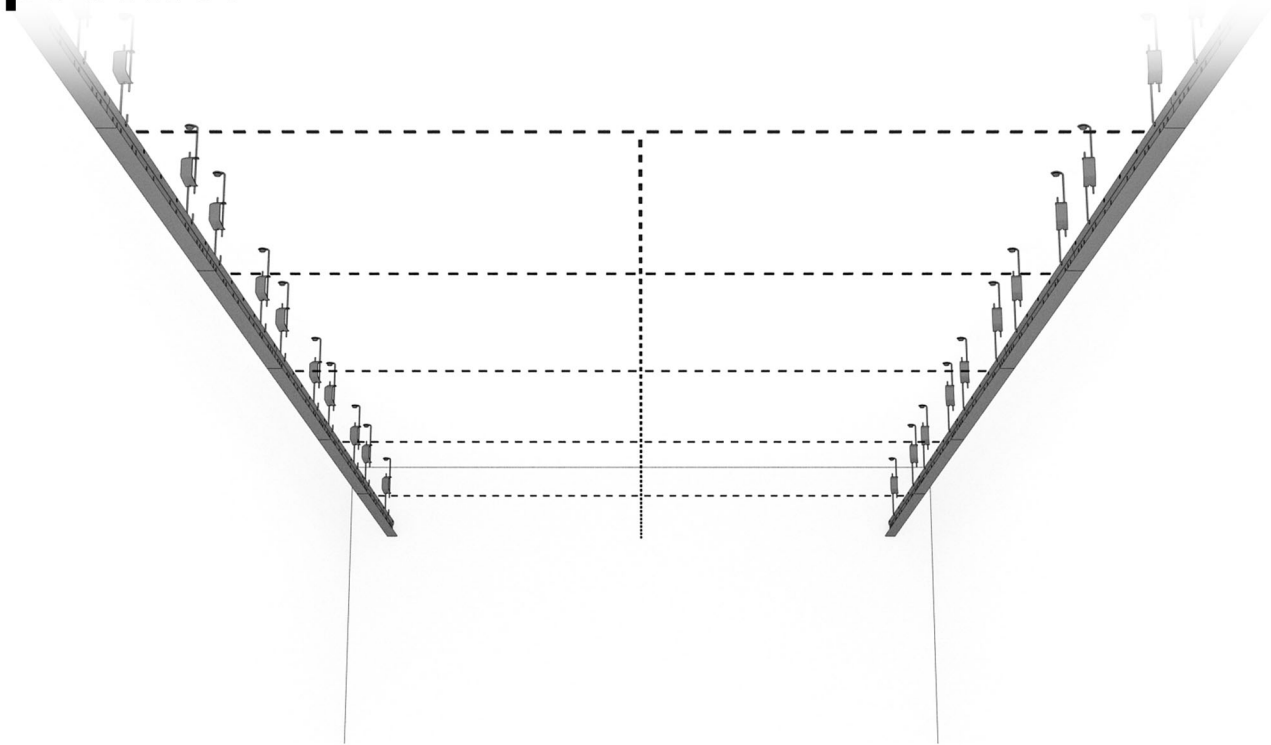
- ① **Mark the construction line on the ceiling according to the Lamela width. Screw the hangers following the lines.**



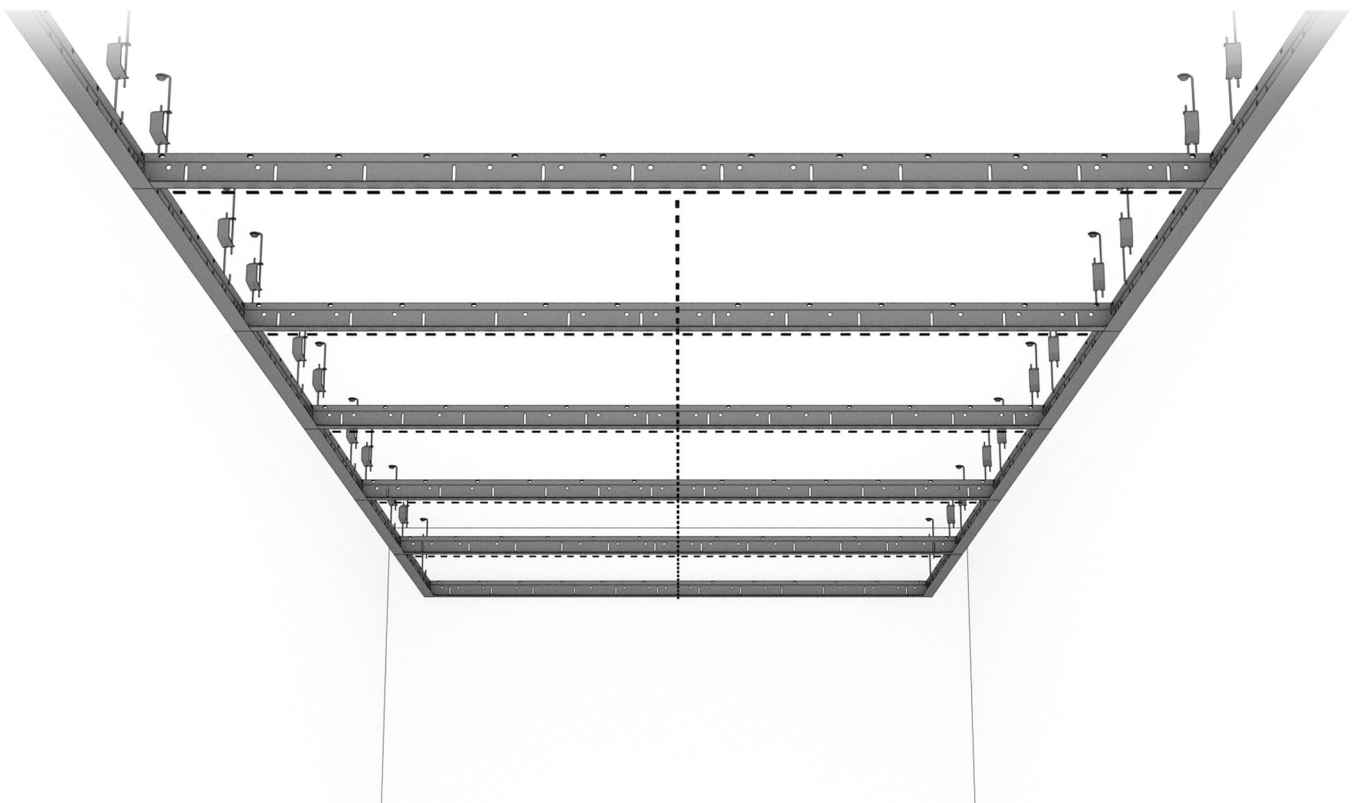
- ② **Install the T24 main profile on the hangers.**



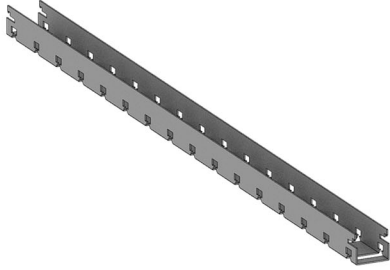
- ③ **Continue the following rows of the main profile.**



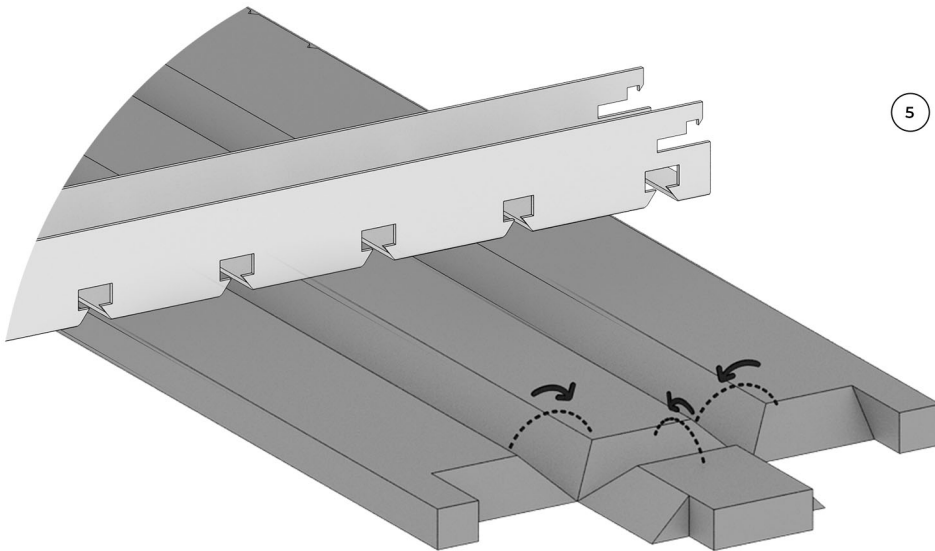
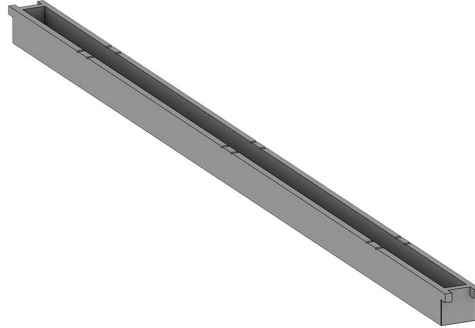
- ④ **Install the T24 side profiles between the mains, keeping 60 cm from each other.**



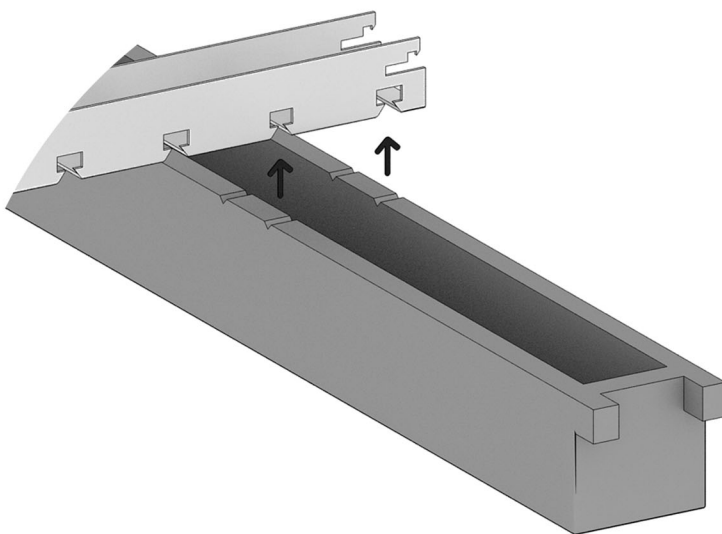
Bridge
X3 for each tile



Lamela
X8 for each tile



5 **Fold into “U” shape each Lamela, 8 per tile.**



6 **Insert 3 bridges into the designate “teeth” of the Lamela.**

⑦ **Insert the tiles into the T24 construction the following way.**

