

CEILING
INSTALLATION GUIDE

Feltline Barcode

Continuous elongated tiles that produce a continuous linear appearance to the space. The units connect to each other in a minimal disconnect slot. A selection of shades from an existing fan of colors. Can be painted in any desired shade.

THICKNESS

6 mm

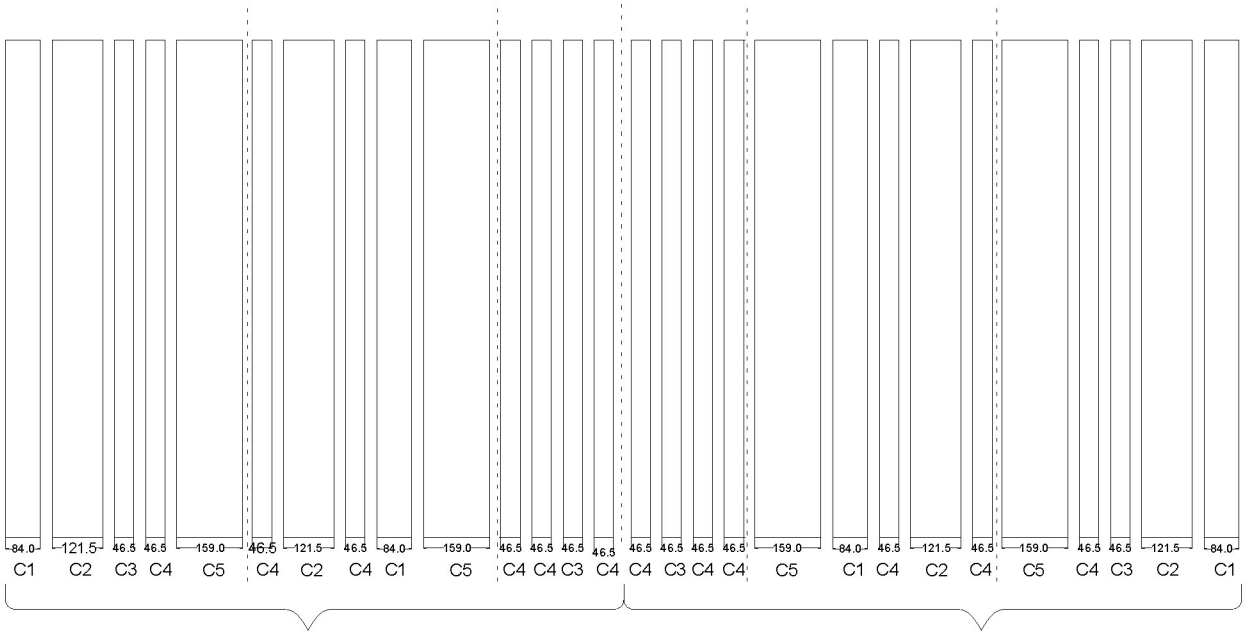
9 mm

LENGTH

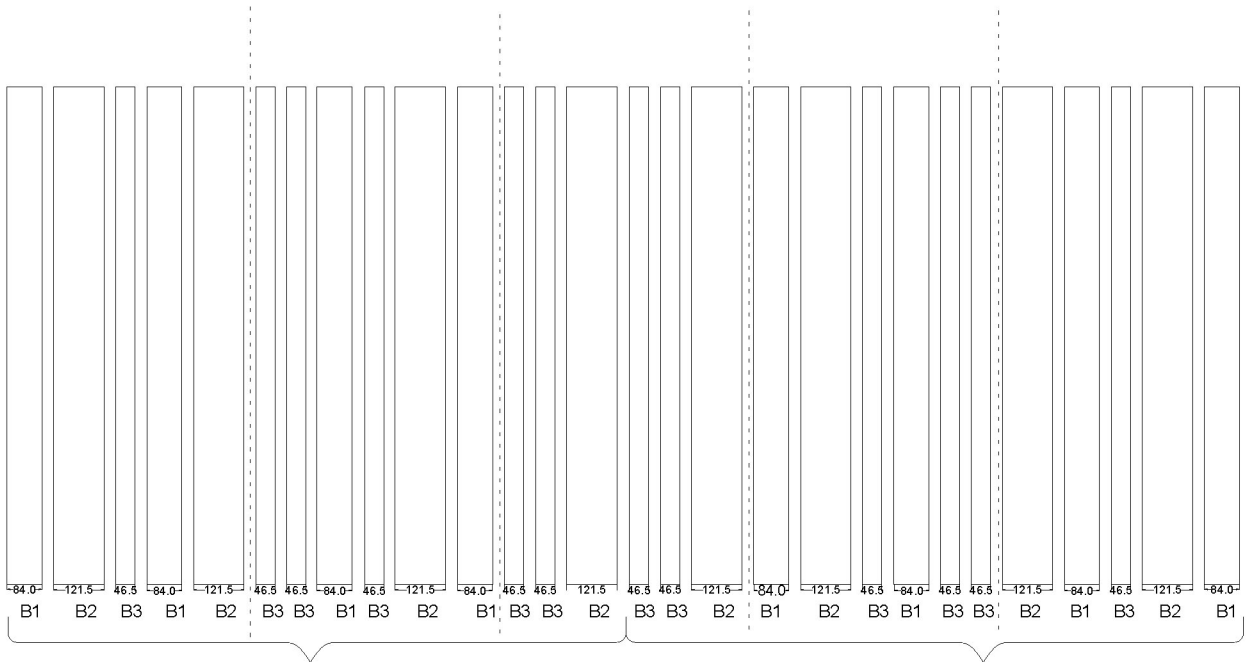
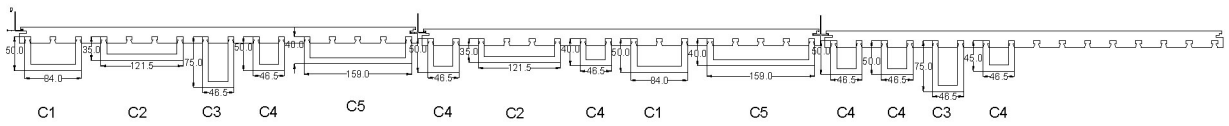
120x60 cm

240x60 cm

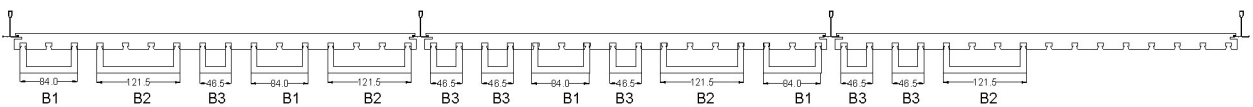
DIMENSIONS



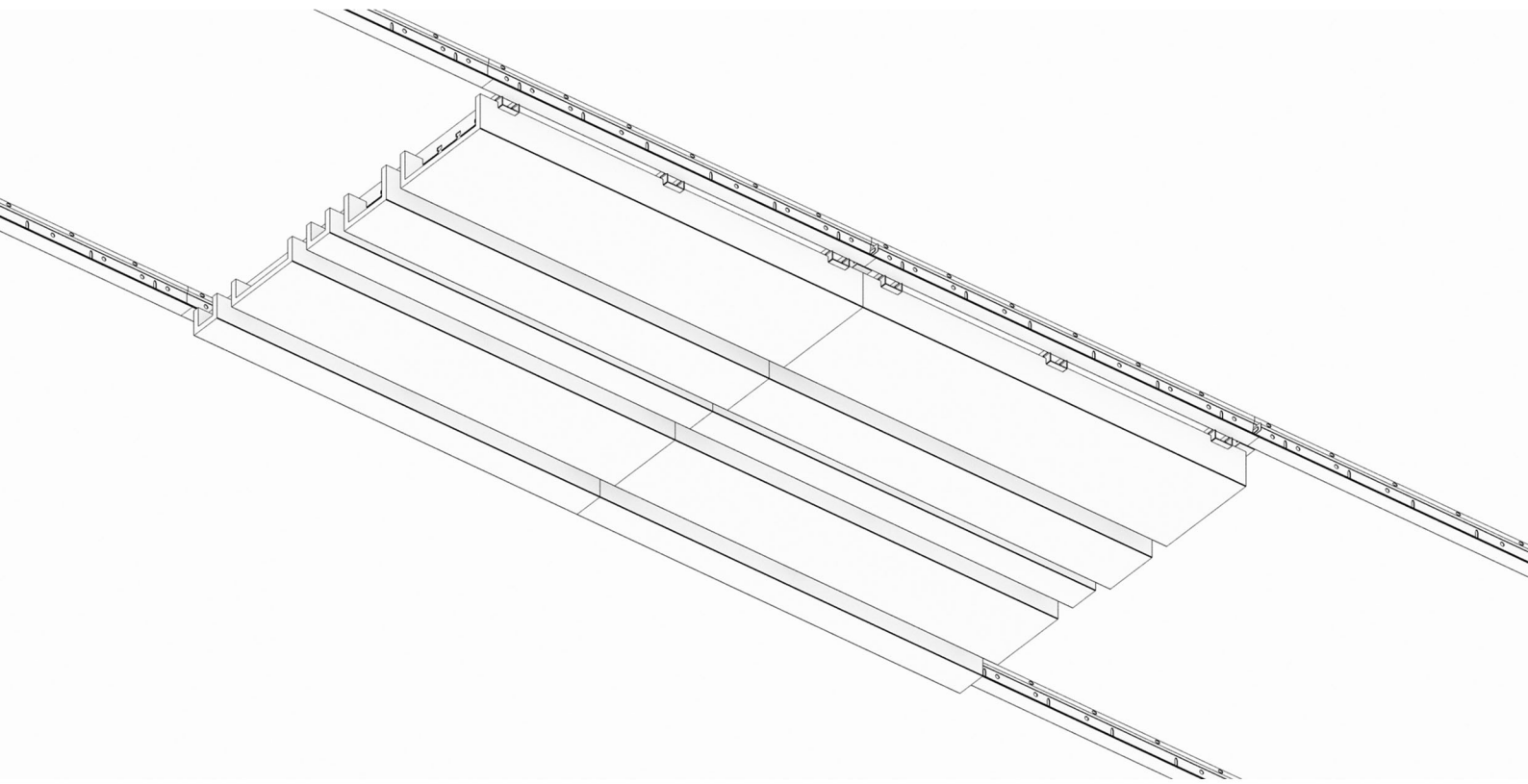
Model C



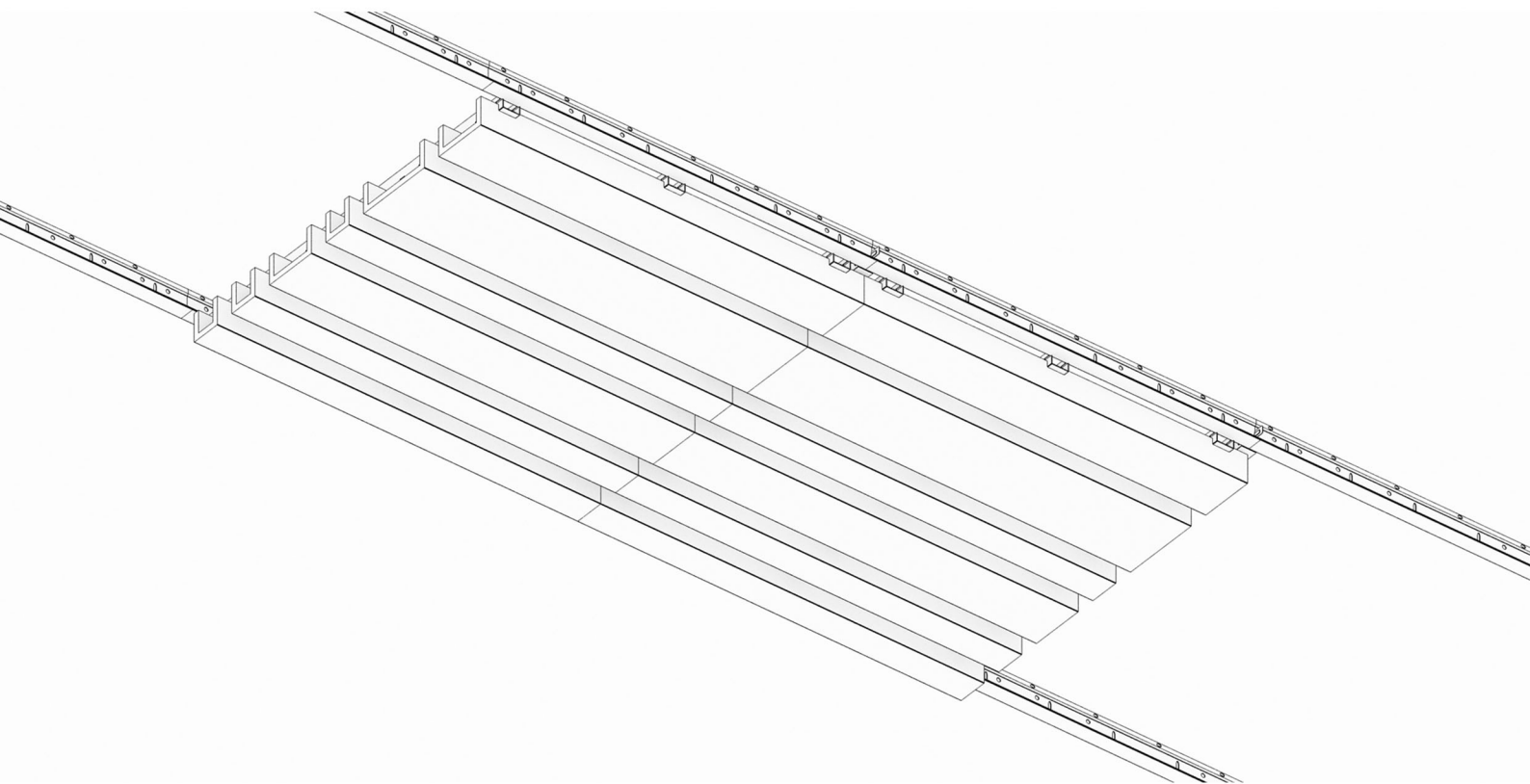
Model B



ISOMETRY



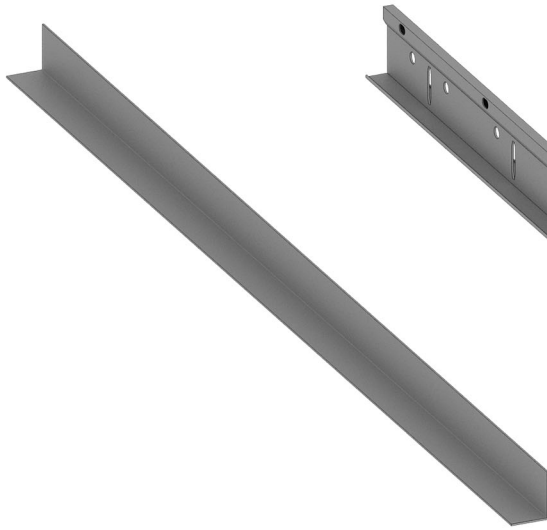
Model C



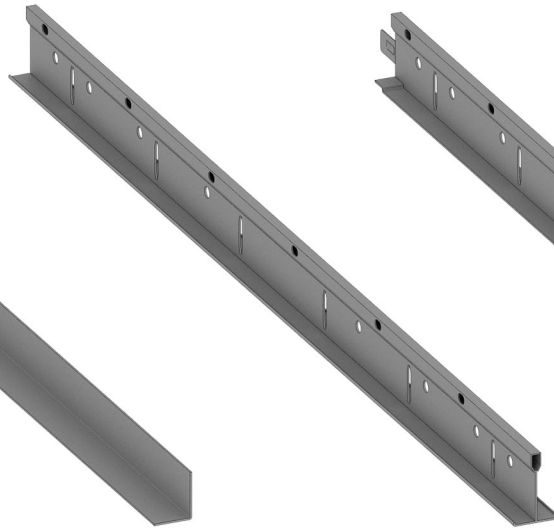
Model B

INSTRUCTIONS

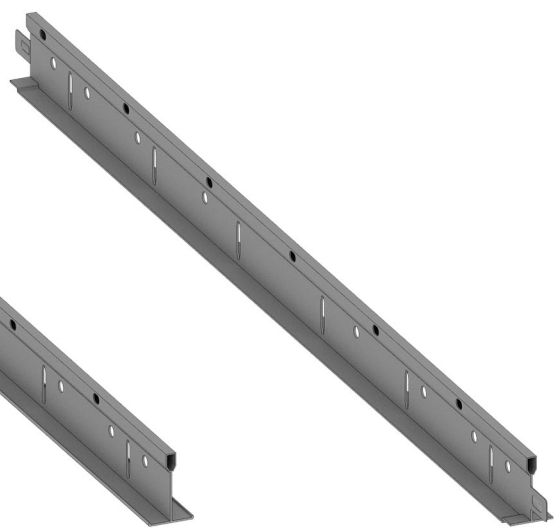
These are your parts.



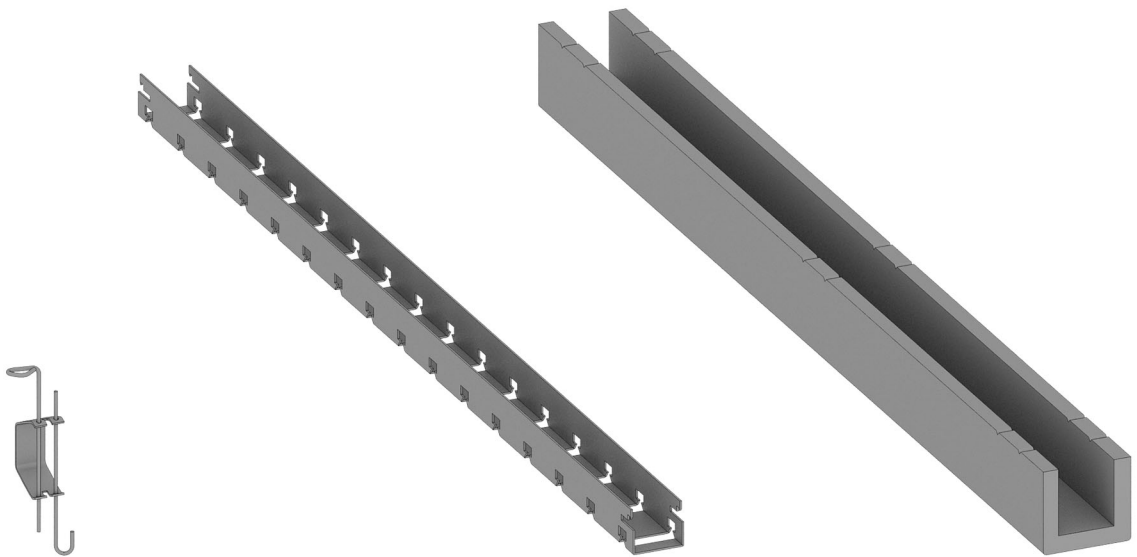
L Profile



T24 Main Profile



T24 Side Profile

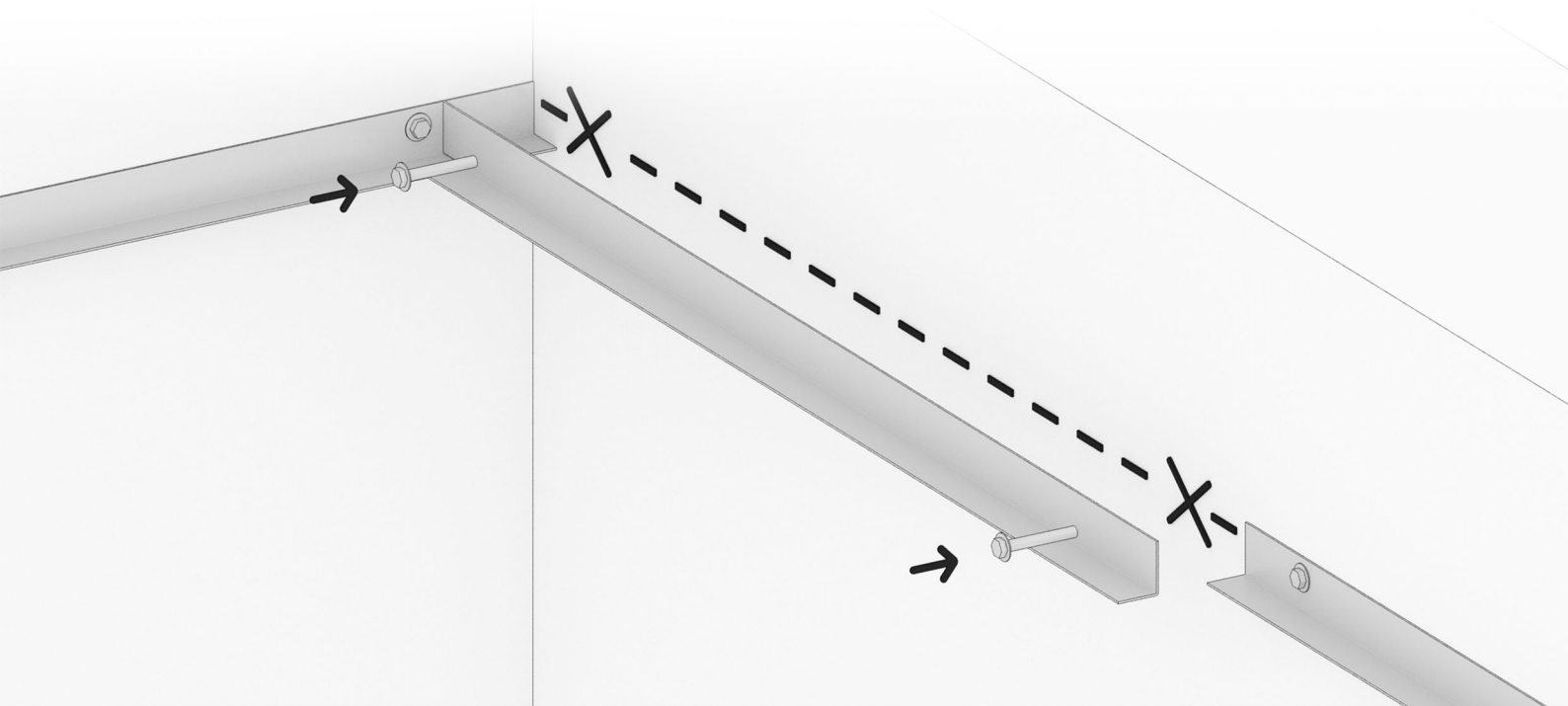


Adjustable Hanger

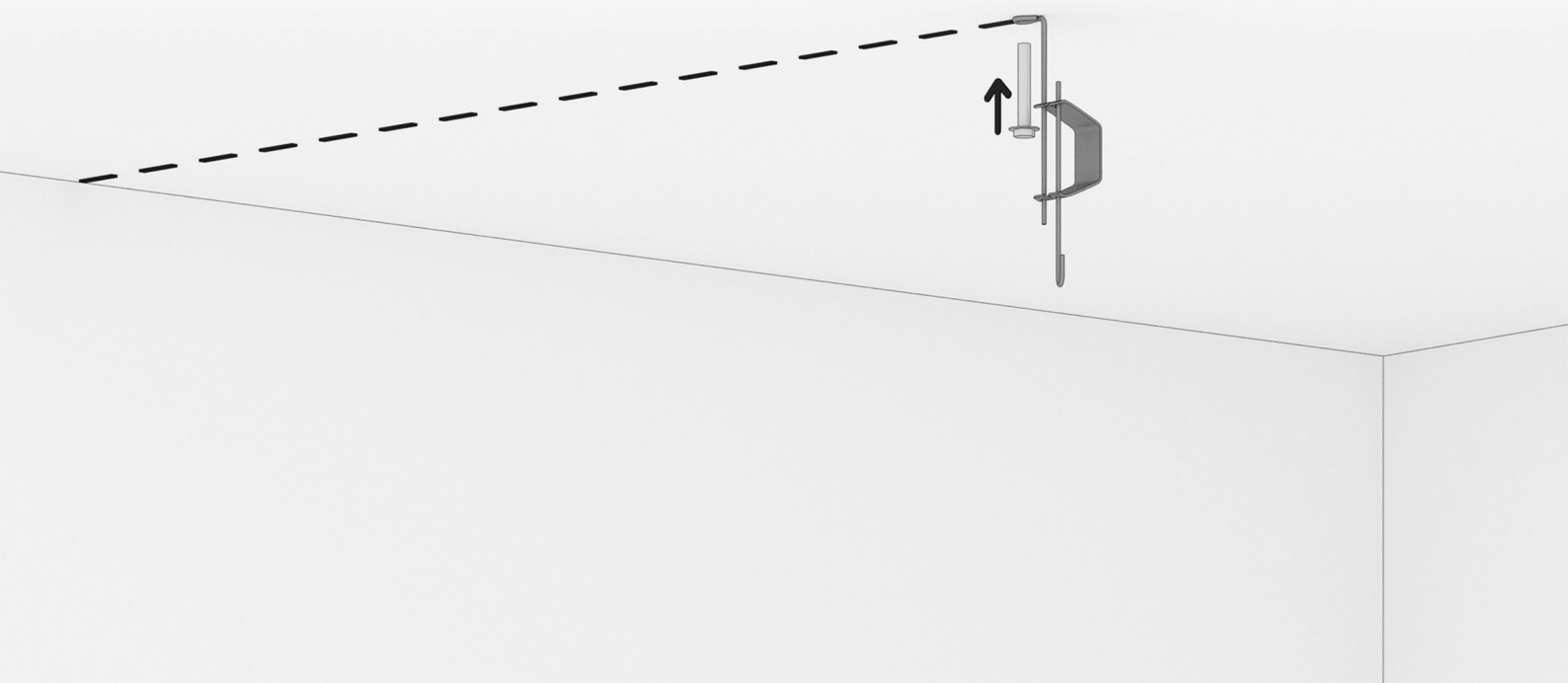
Bridge
X3 for each tile

Lamela
X8 for each tile

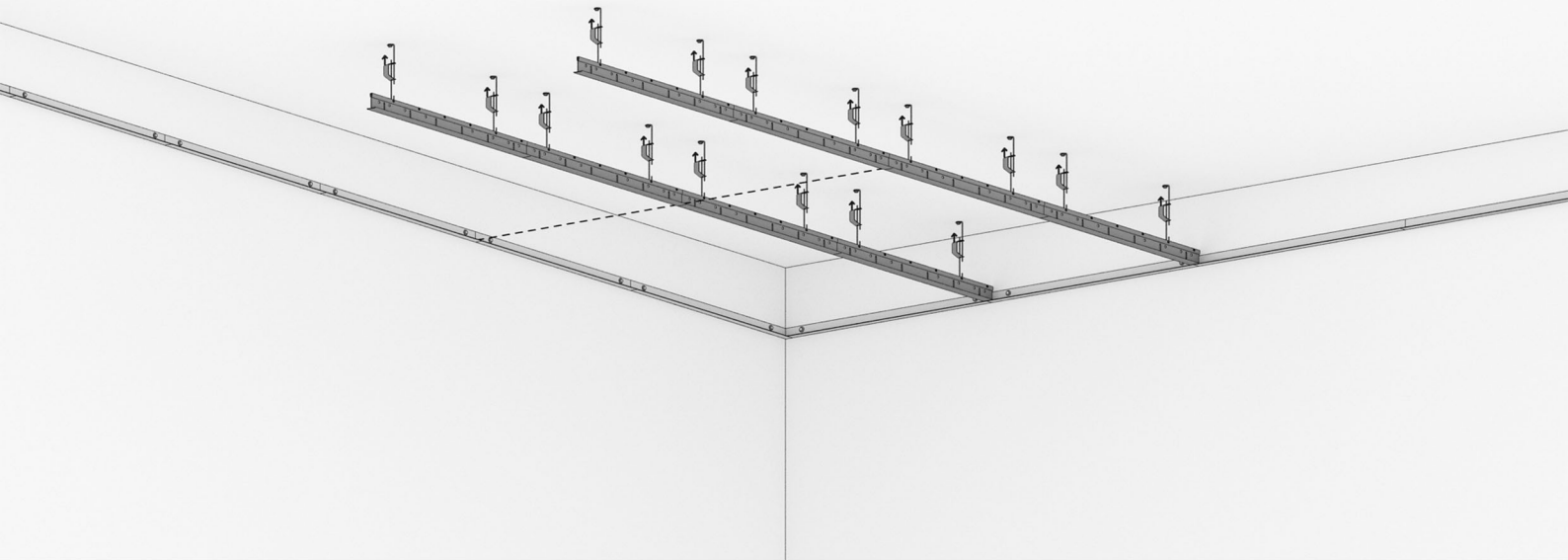
- ① **Mark the ceiling line on the wall and screw the L profiles accordingly.**



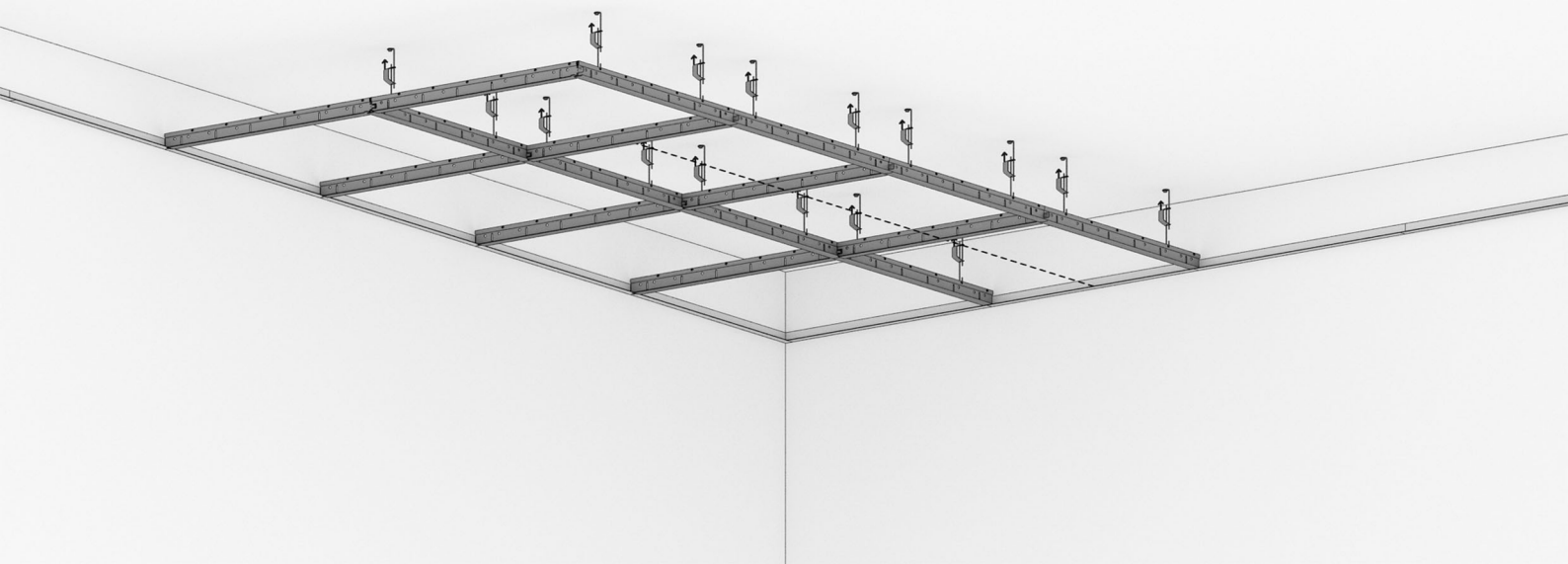
- ② **Screw the hangers of the first row of T24 main profiles while keeping 60 cm from the side wall.**



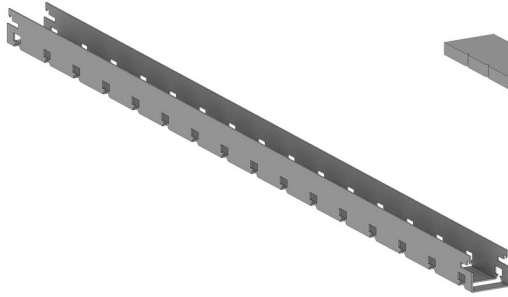
- ③ **Continue the following rows of the main profile keeping 60 cm in between.**



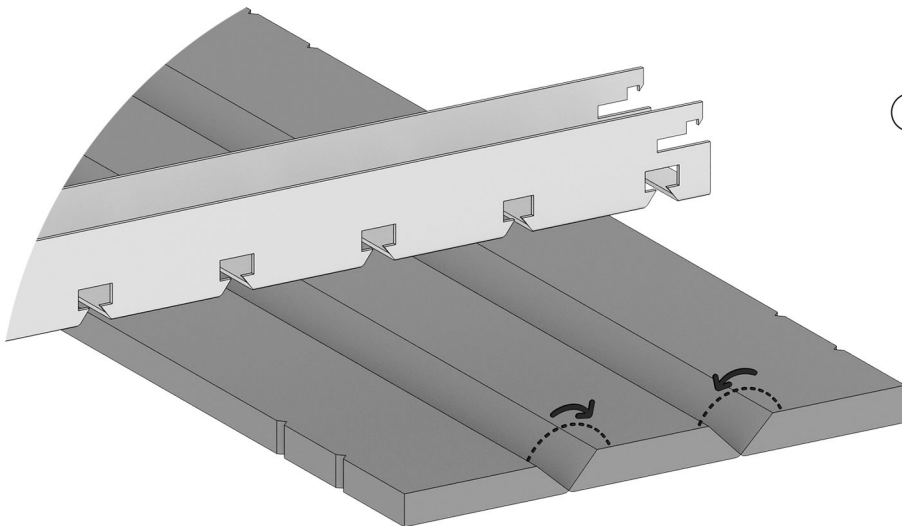
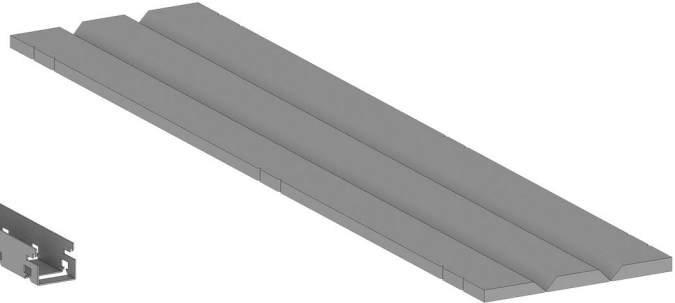
- ④ **Install the T24 side profiles between the mains, keeping 60 cm from the main wall and each other.**



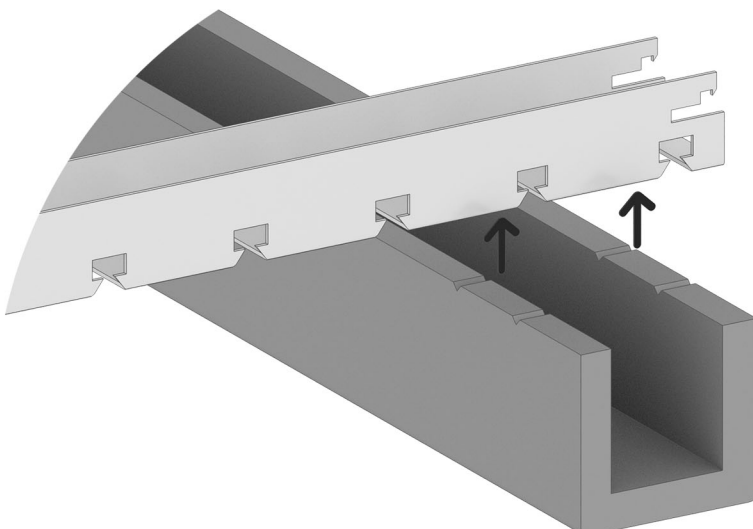
Bridge
X3 for each tile



Lamela
X8 for each tile



5 **Fold into “U” shape each Lamela, 8 per tile.**



6 **Insert 3 bridges into the designate “teeth” of the Lamela.**

⑦ **Insert the tiles into the T24 construction the following way.**

