

CEILING

INSTALLATION GUIDE FOR TEGULAR EDGE

Grooved

The grooved tiles are series in a geometrical shape, forming a unit in a continuance pattern. The pattern is repetitive - the tiles connect on all edges. A selection of shades from an existing fan of colors. Can be painted in any desired shade.

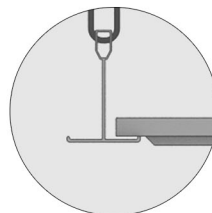
THICKNESS

9 mm

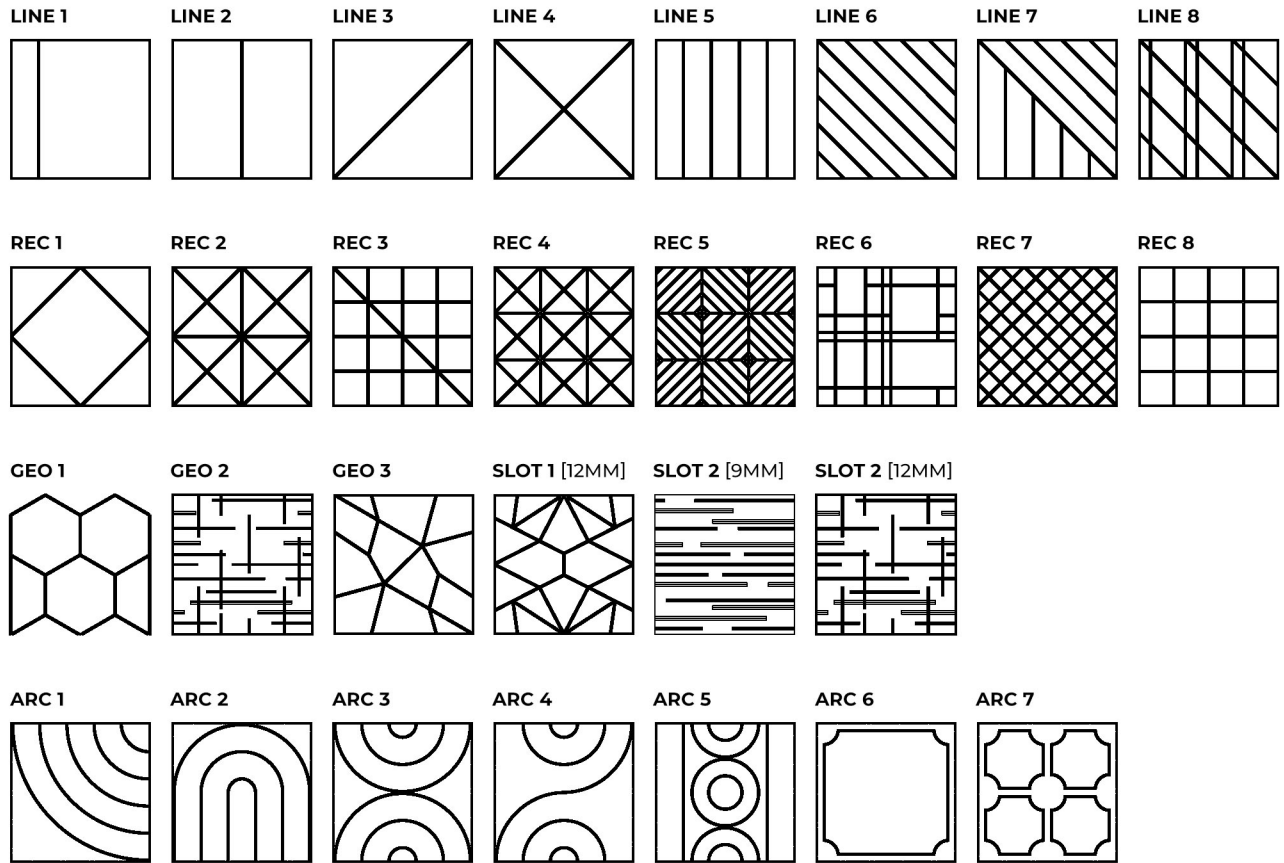
12 mm

SIZE

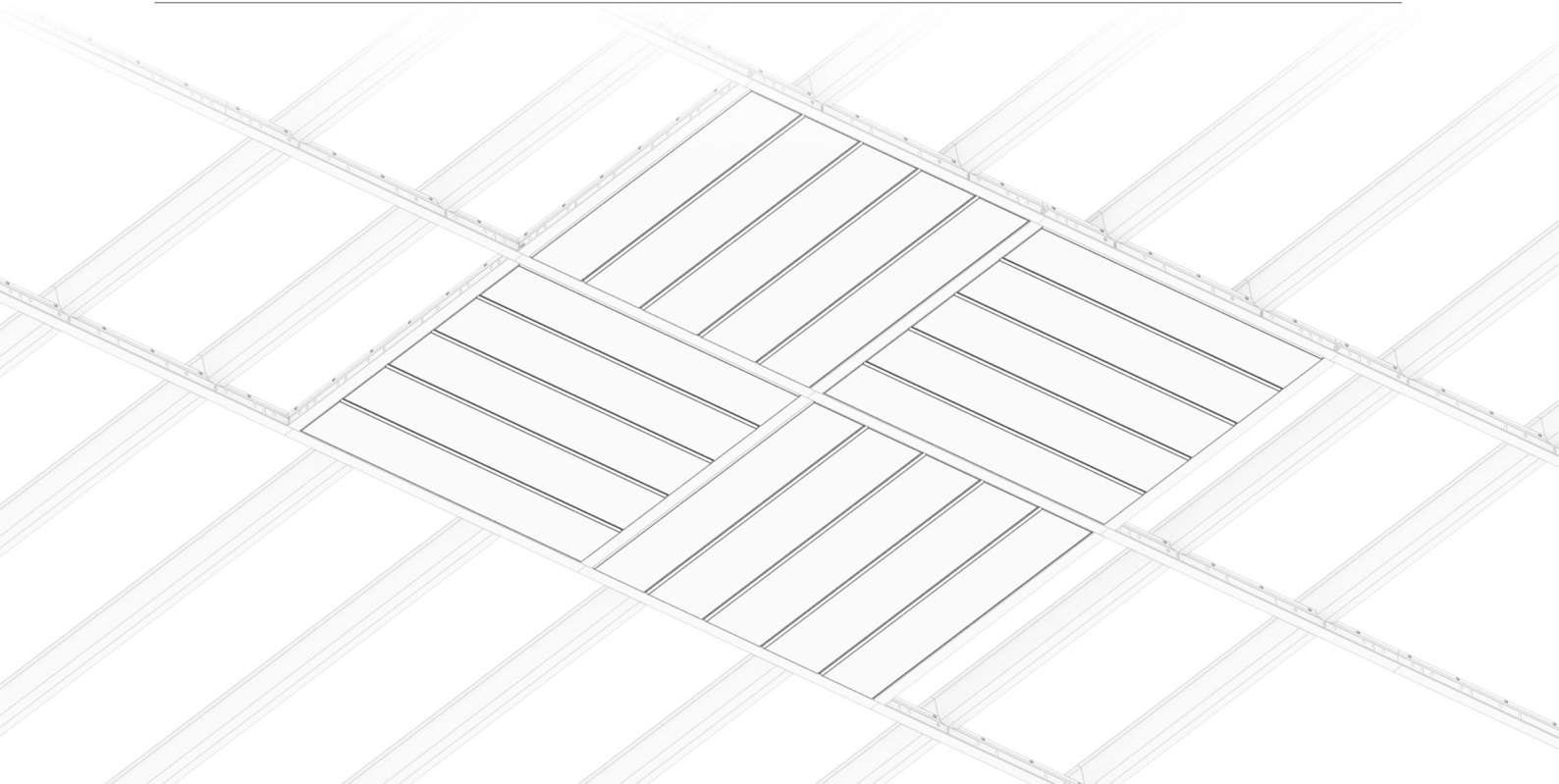
60x60 cm



MODELS

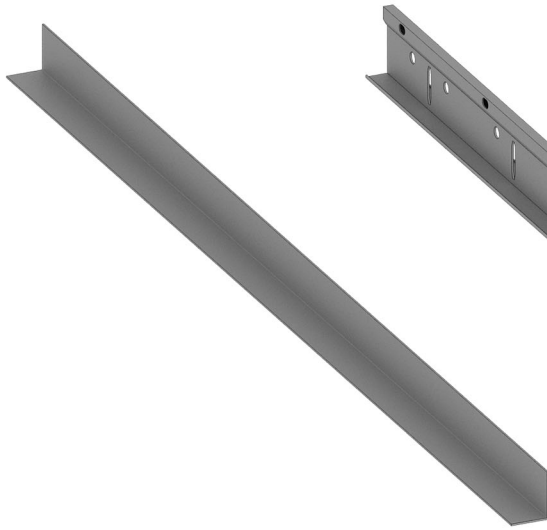


ISOMETRY

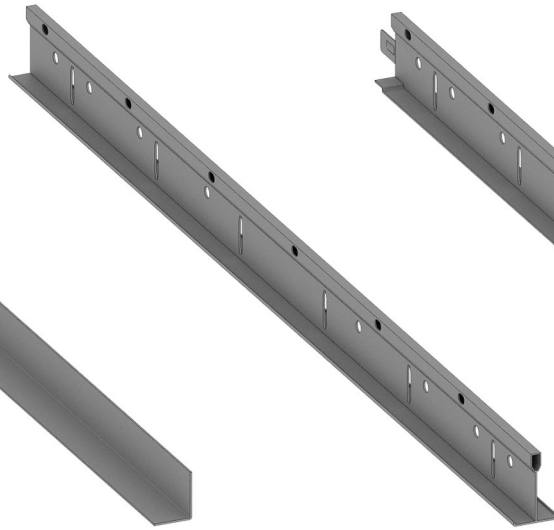


INSTRUCTIONS

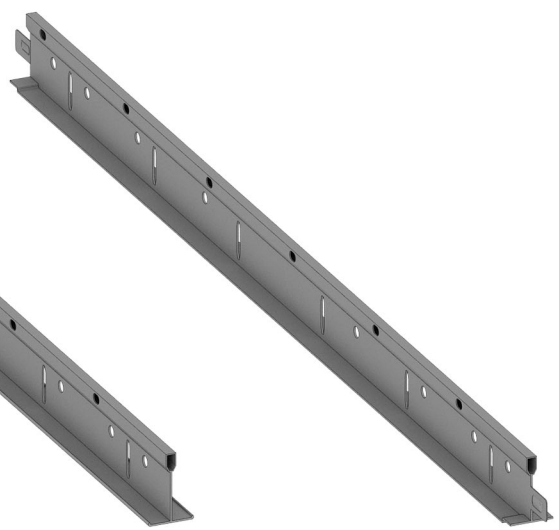
These are your parts.



L Profile



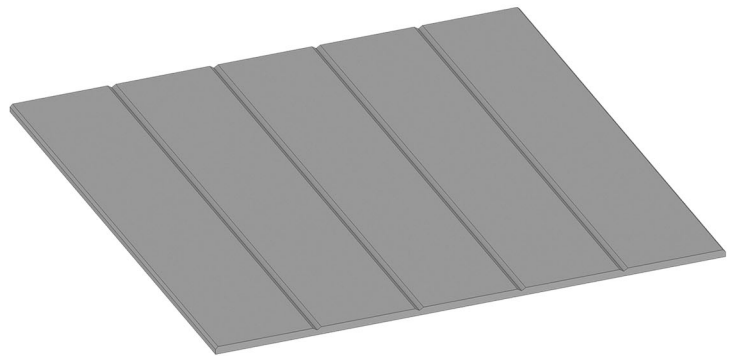
T24 Main Profile



T24 Side Profile

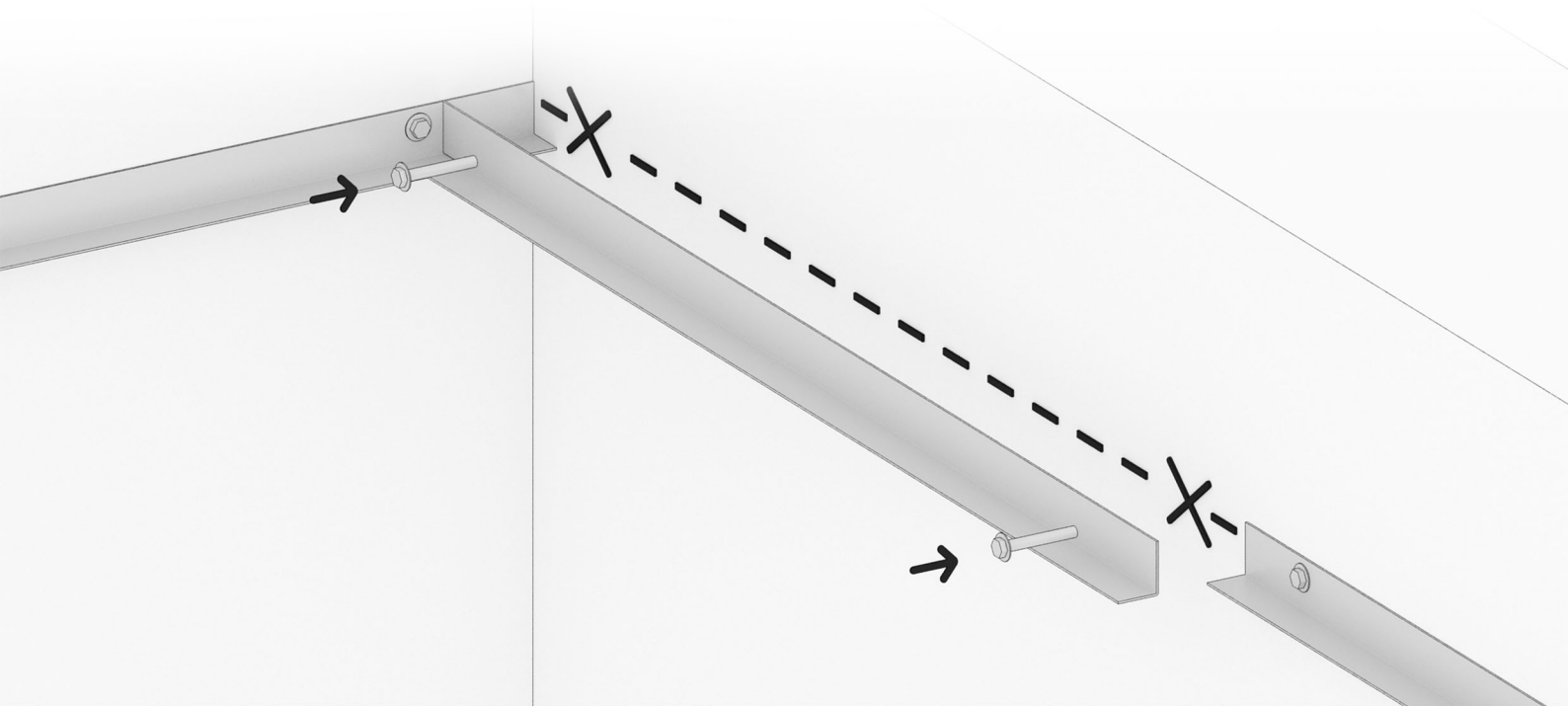


Adjustable Hanger

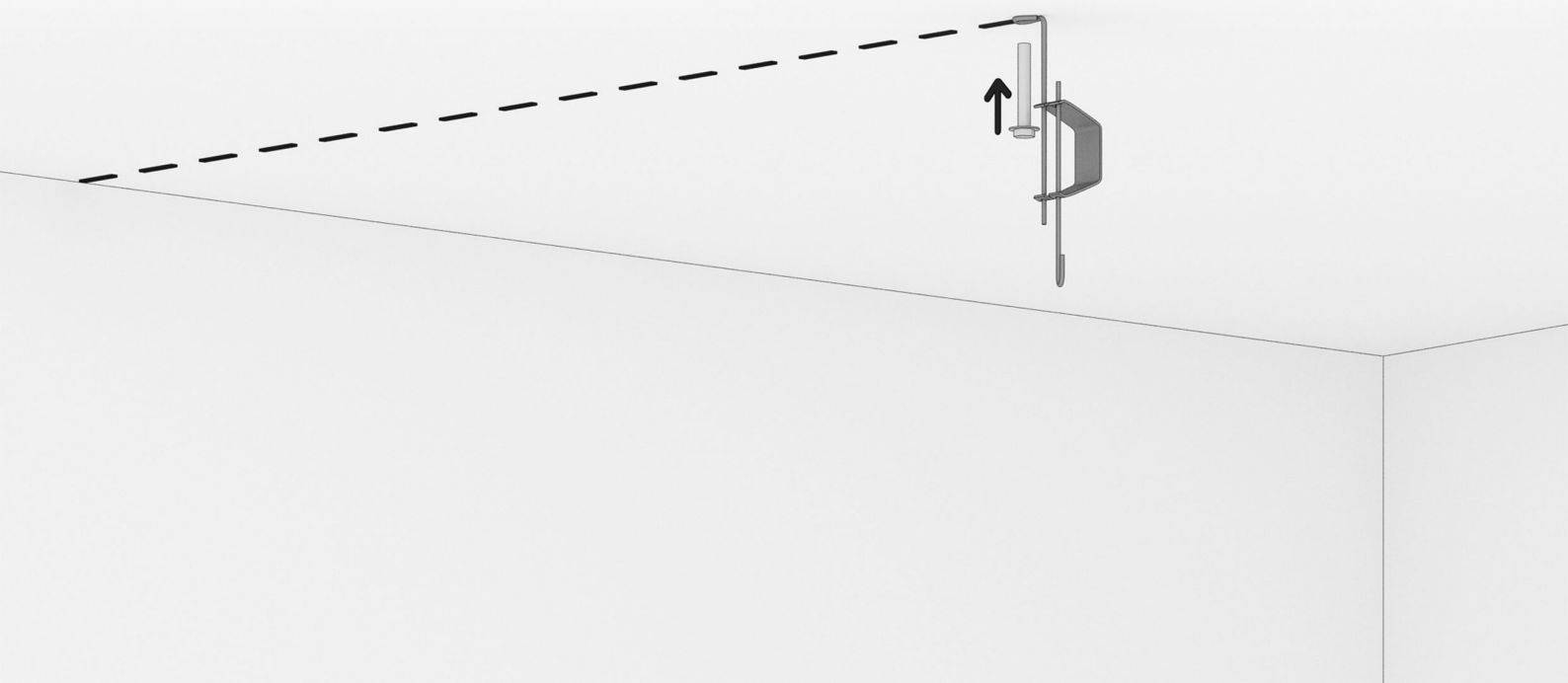


Tile

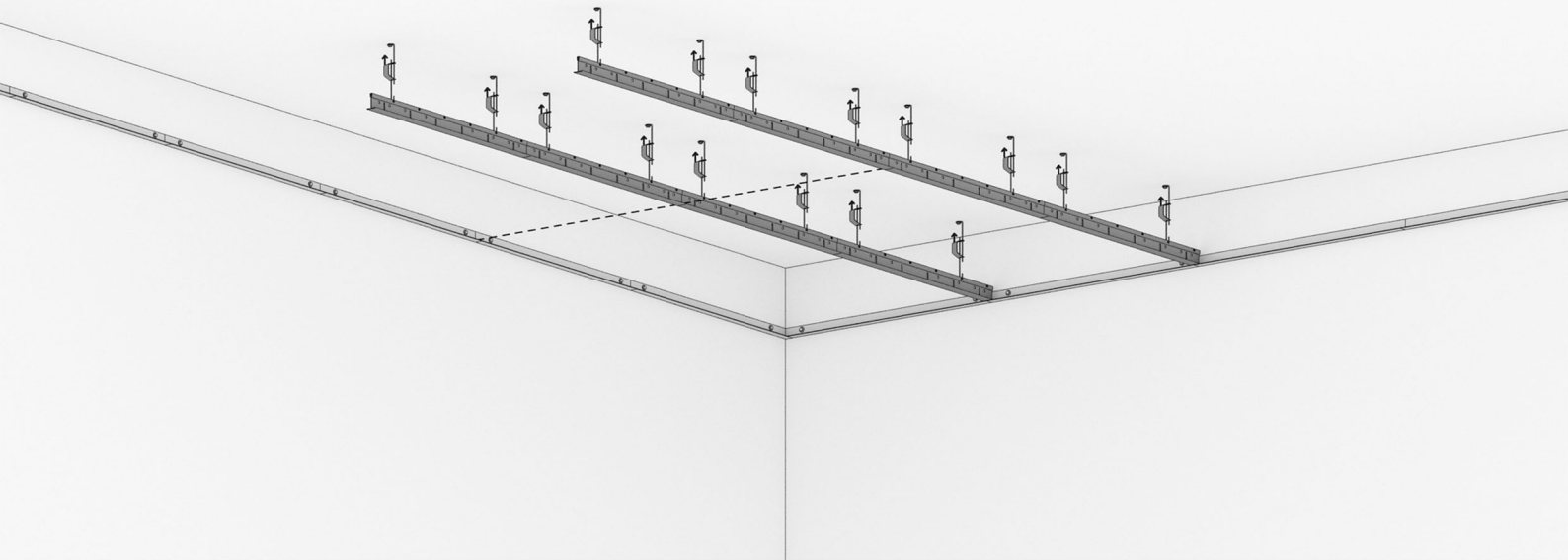
- ① **Mark the ceiling line on the wall and screw the L profiles accordingly.**



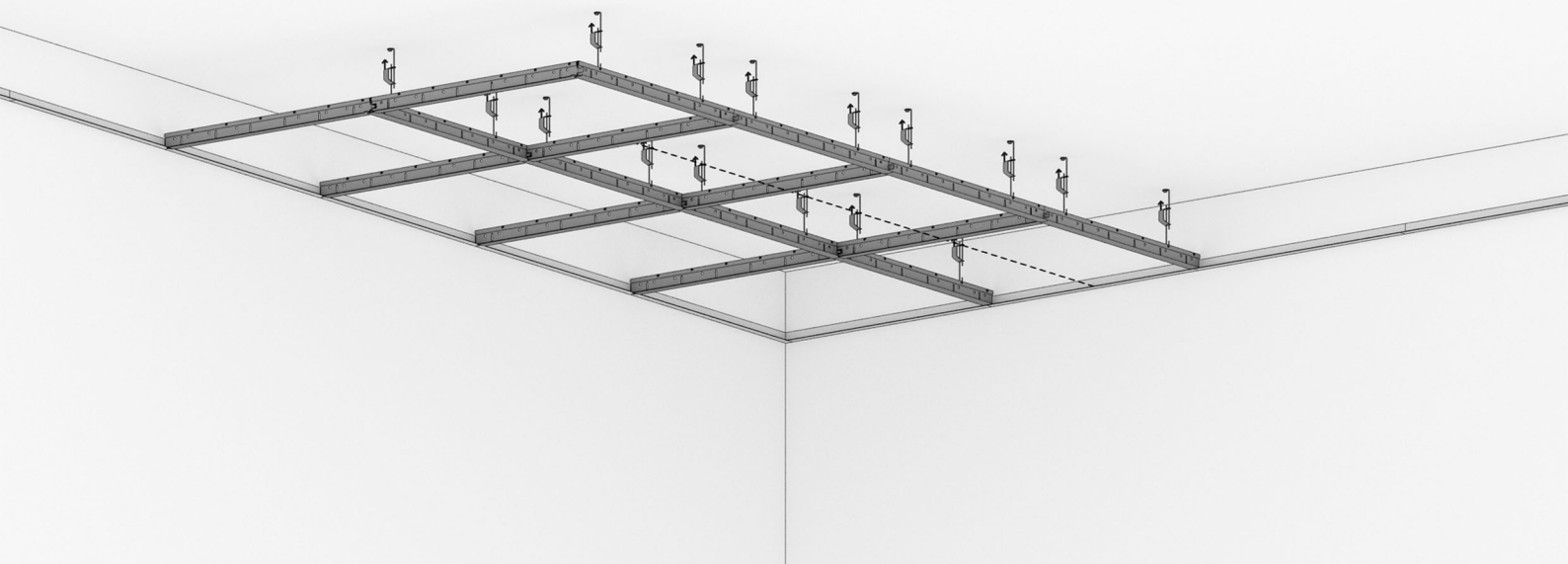
- ② **Screw the hangers of the first row of T24 main profiles while keeping 60 cm from the side wall.**



- 3 **Continue the following rows of the main profile keeping 60 cm in between.**



- 4 **Install the T24 side profiles between the mains, keeping 60 cm from the main wall and each other.**



⑤ **Insert the tiles into the T24 construction the following way.**

