

CEILINGS

## INSTALLATION GUIDE

# Baffle Beam

Baffle is vertically installed unframed units. It is available in different sizes and a wide range of colors. Two hanging methods: free hanging of each of the baffles or using a connector profile that maintains a uniform hanging.

THICKNESS

9 mm

HIEGHT

10 cm

26 cm

MAX LENGTH

278 cm

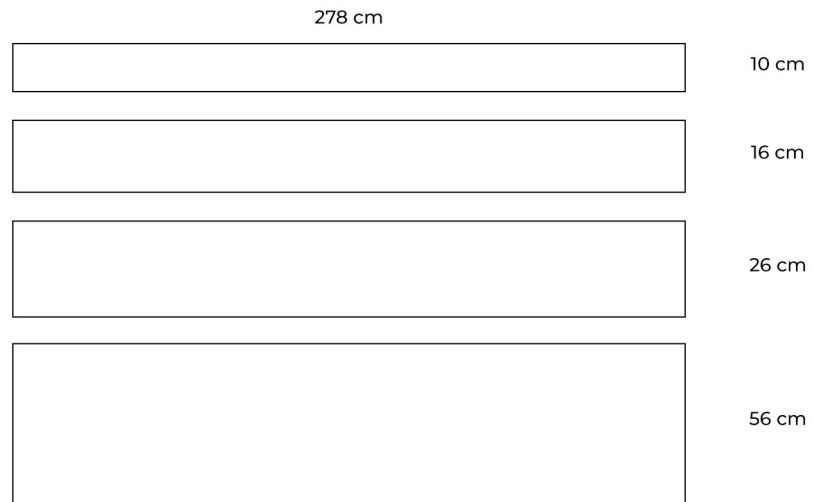
16 cm

56 cm

Customized sizes are available.

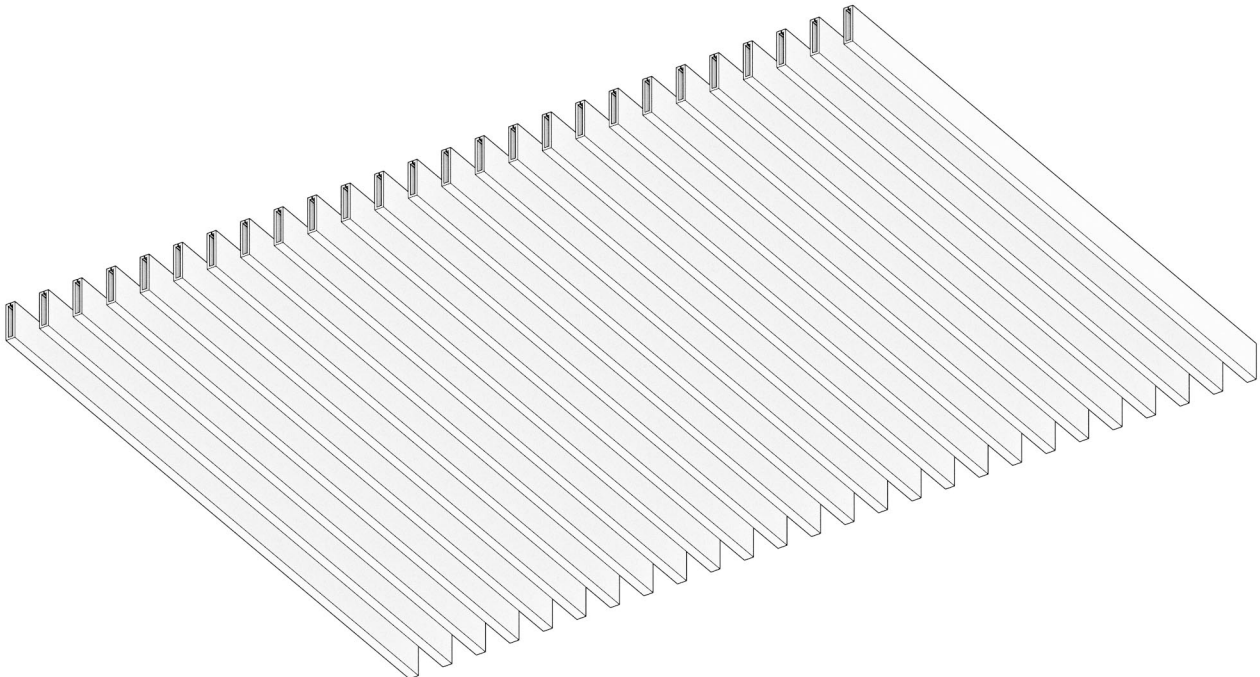
## DIMENSIONS

---



## ISOMETRY

---

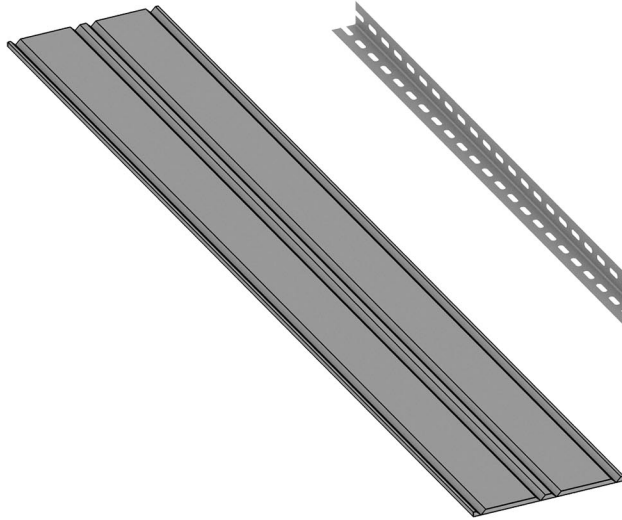


INSTRUCTIONS

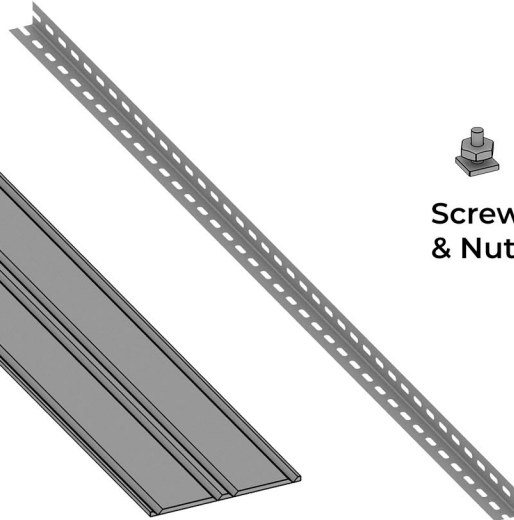
# These are your parts.

**TYPE B (Uniformed Hanging)**

---



**Baffle**



**Perforated L Profile**



**Screw & Nut**



**Adjustable Hanger**

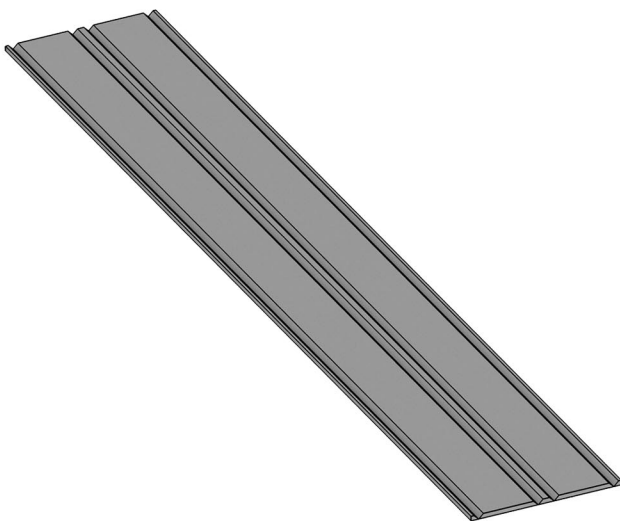


**Dedicated H Profile**

24mm and 12mm, according to Baffle

**TYPE A (Free Hanging)**

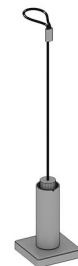
---



**Baffle**



**Screw & Nut**



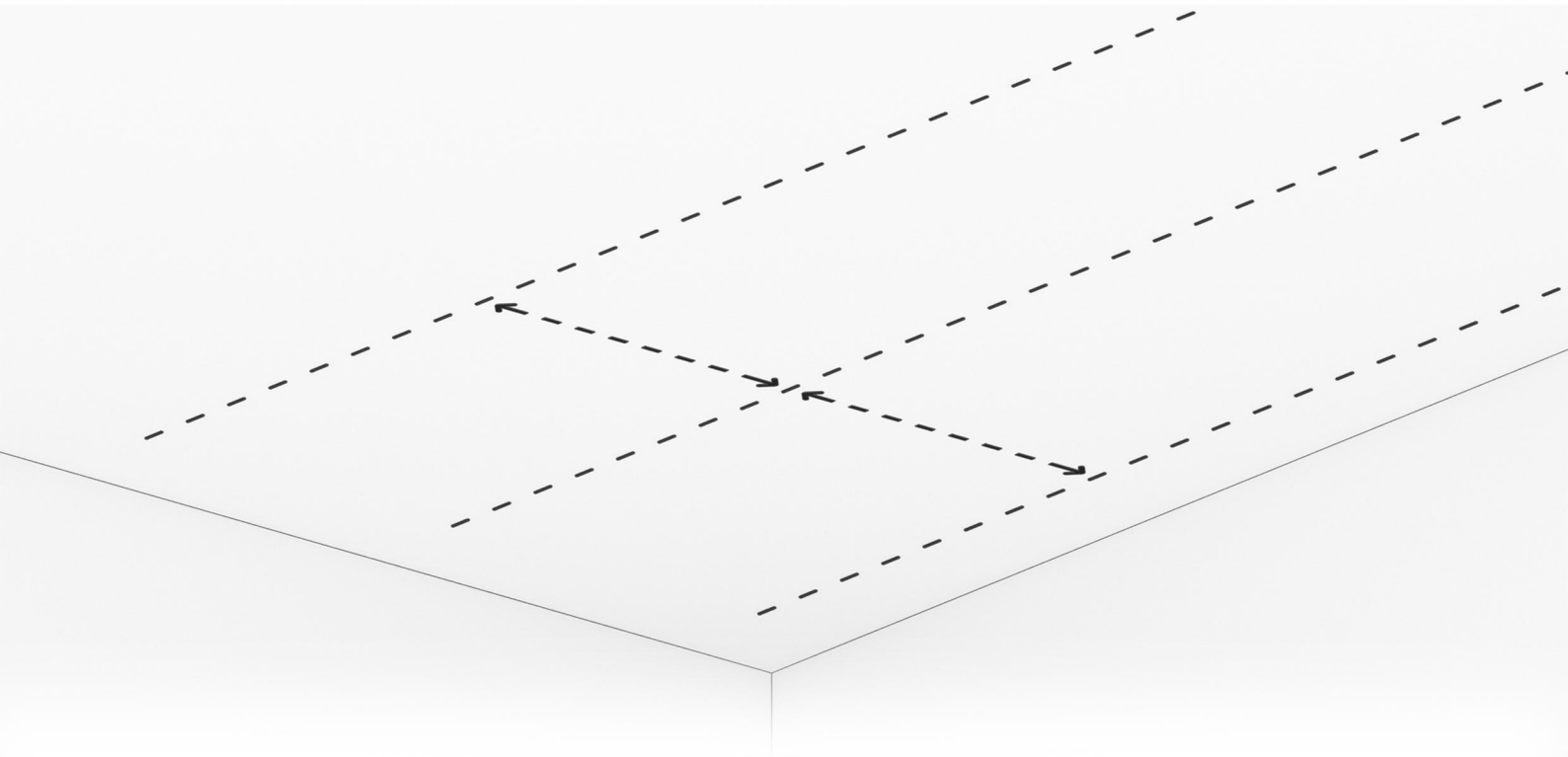
**Dedicated Cable Hanging Accessory**



**Dedicated H Profile**

24mm and 12mm, according to Baffle

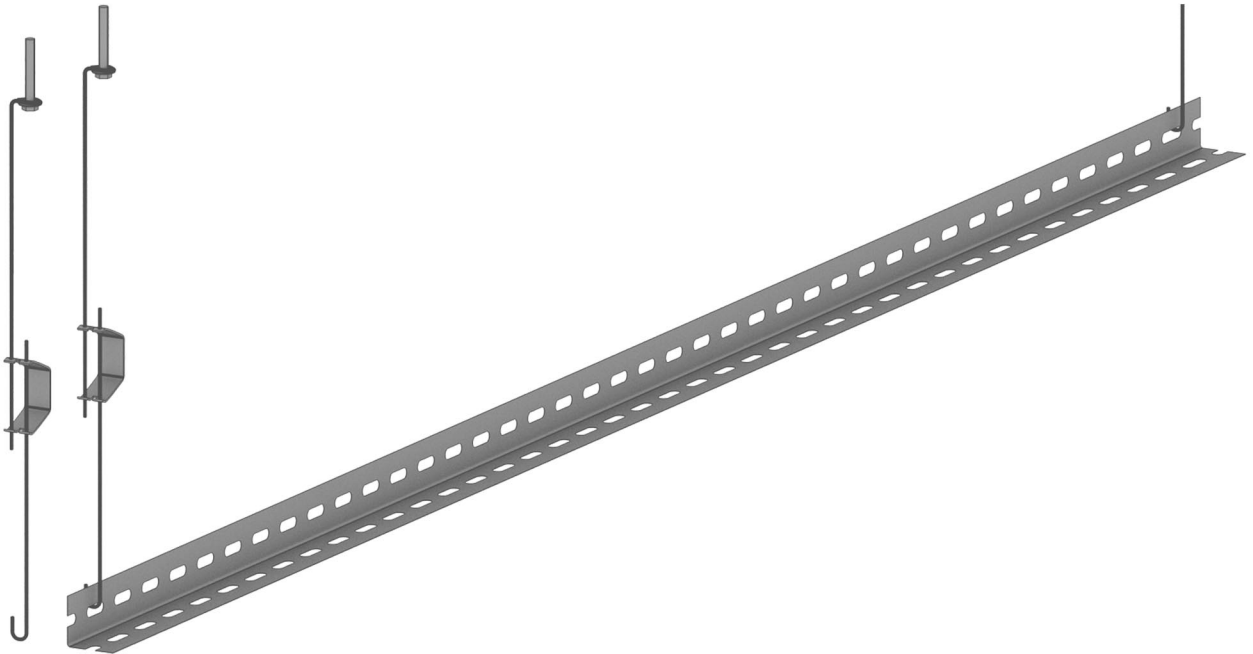
- ① **Mark the ceiling line on the above ceiling. Keep a gap of 80-120 cm between hanging rows.**



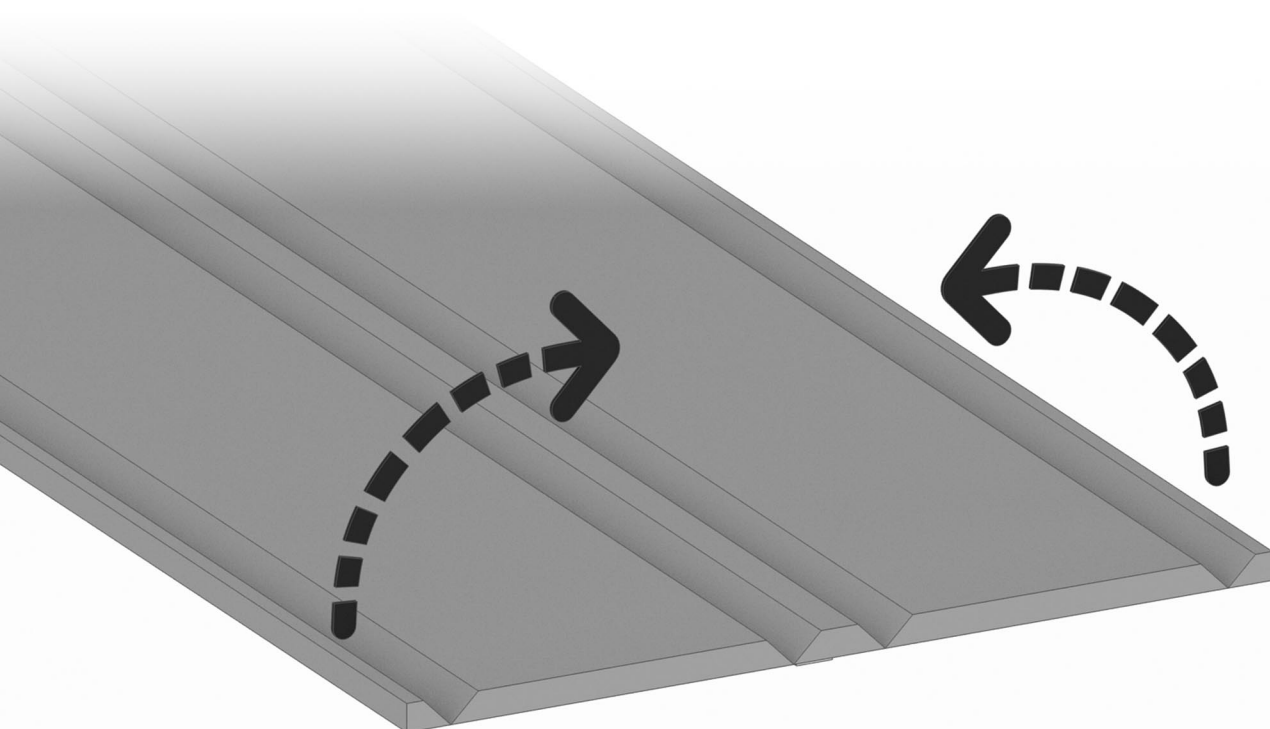
- ② **Install the adjustable hangers accordingly.**



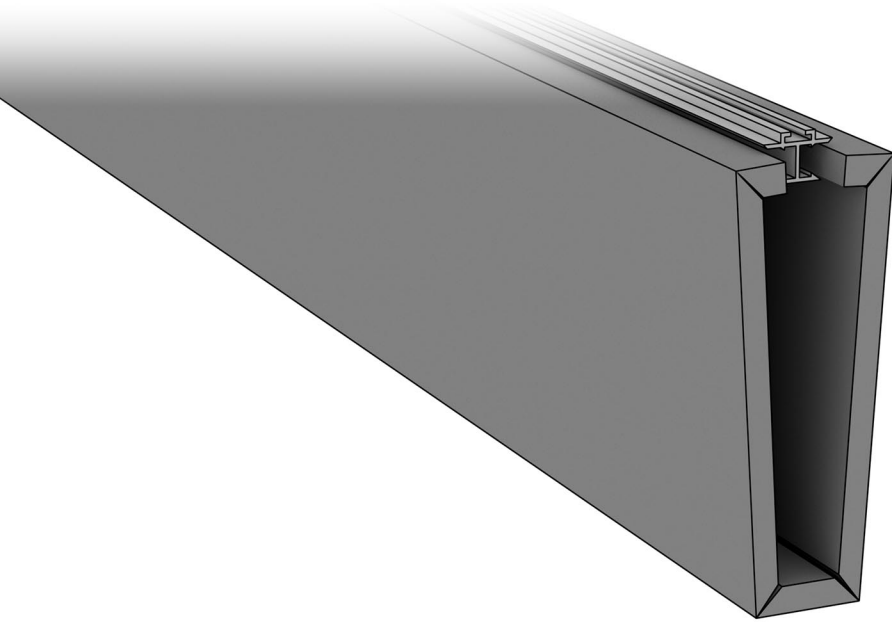
③ **Connect the Perforated L Profiles to the Adjustable Hangers.**



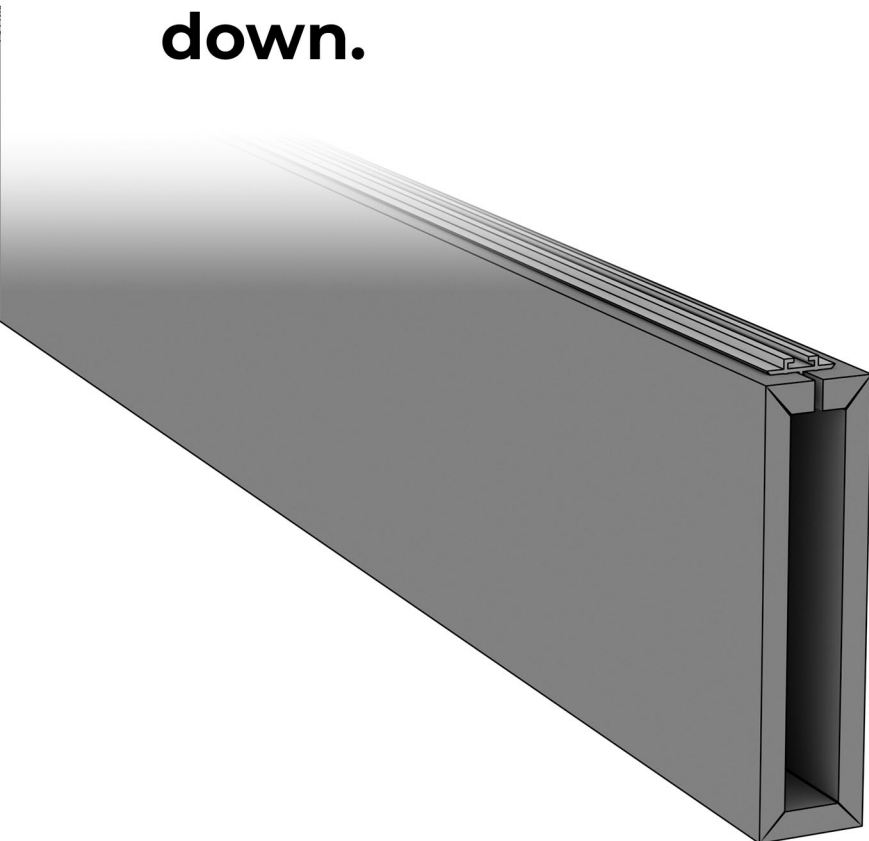
④ **Fold the Baffle Beam in according to the slots**



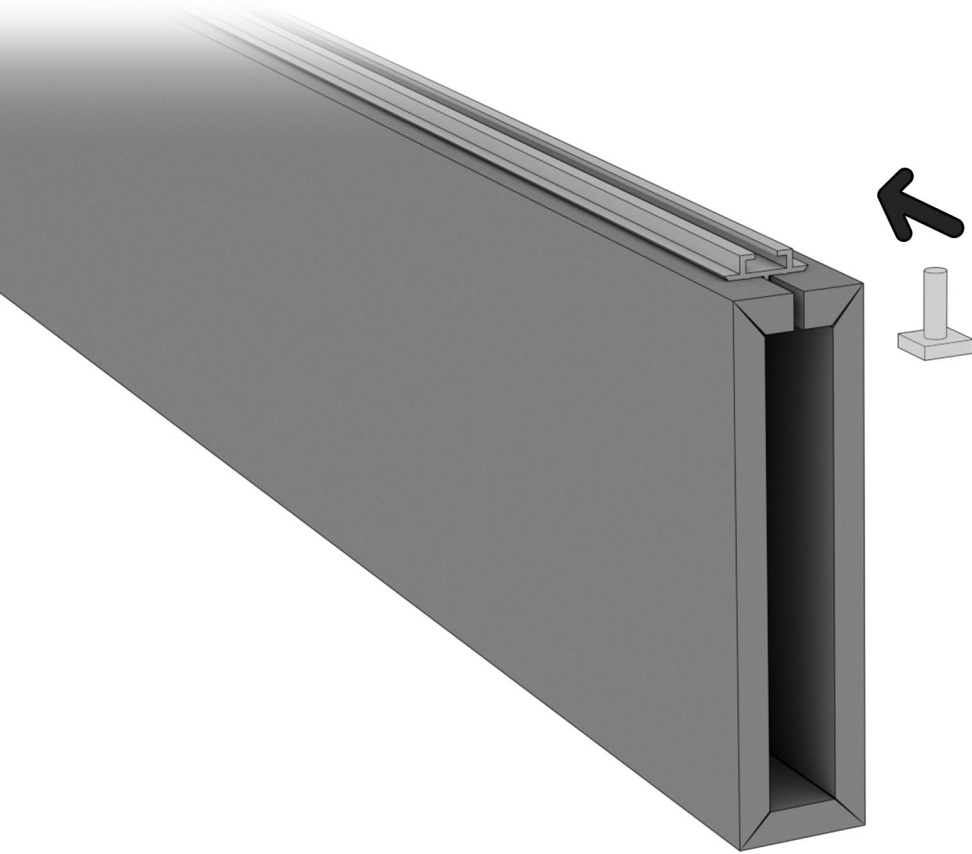
- ⑤ **Insert one edge of the baffle into one of the H profile slots.**



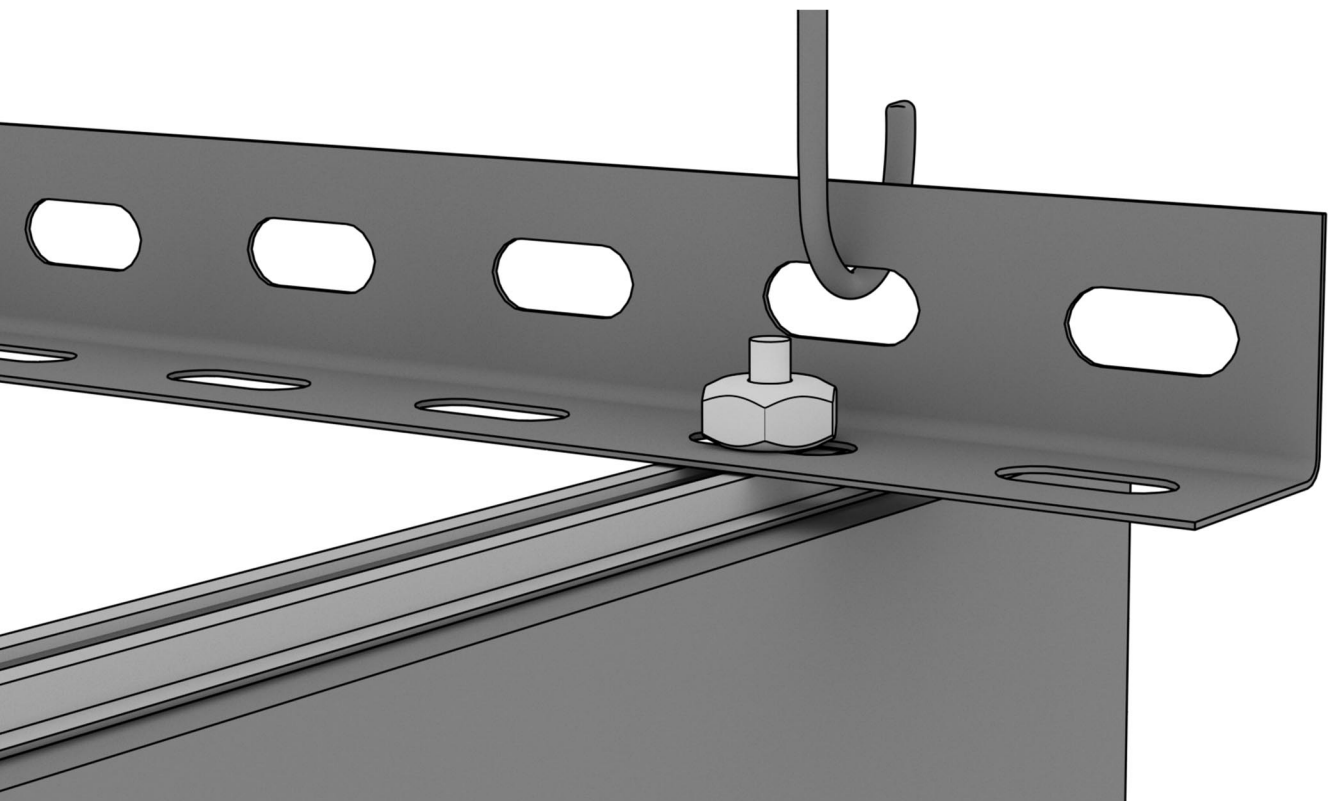
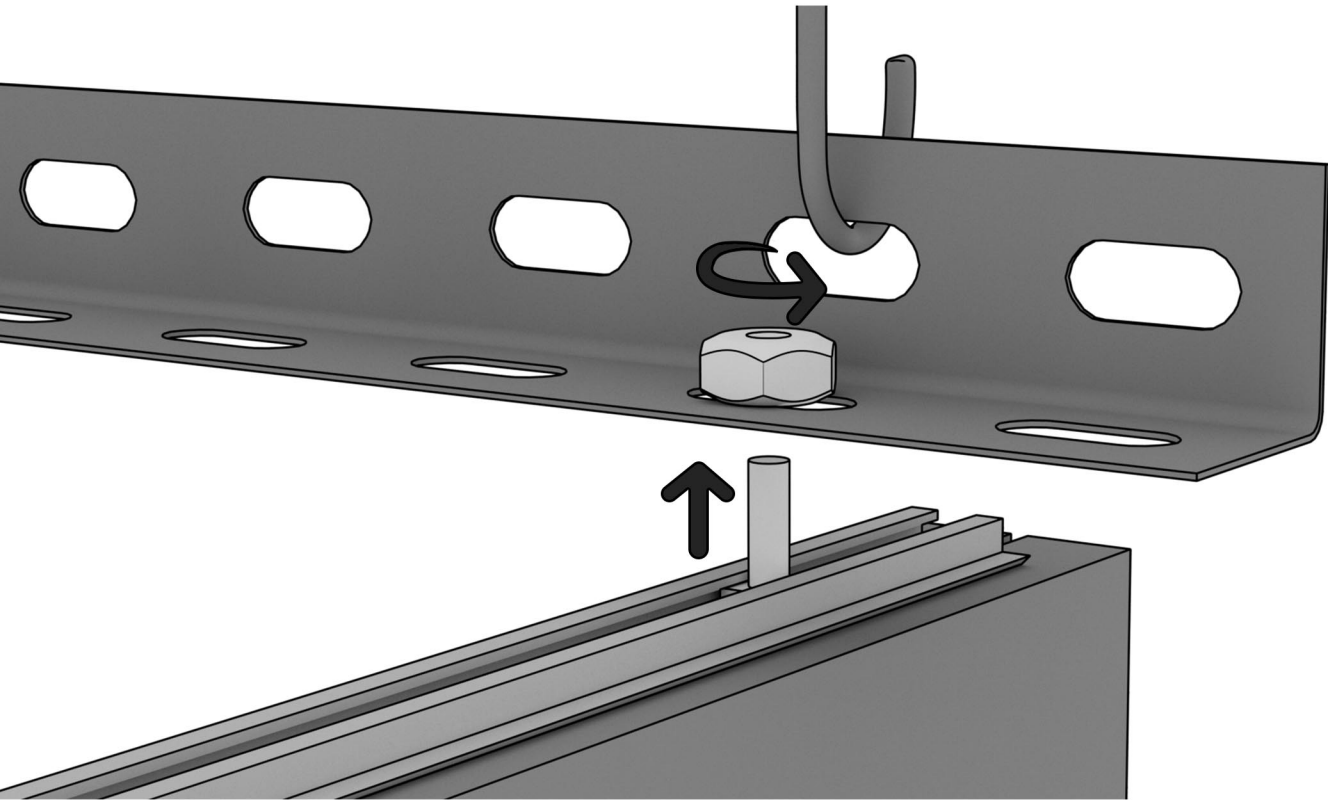
- ⑥ **Close the other edge into the second slot. Make sure to mail it all the way down.**



⑦ **slide the screw into the H profile facing up**

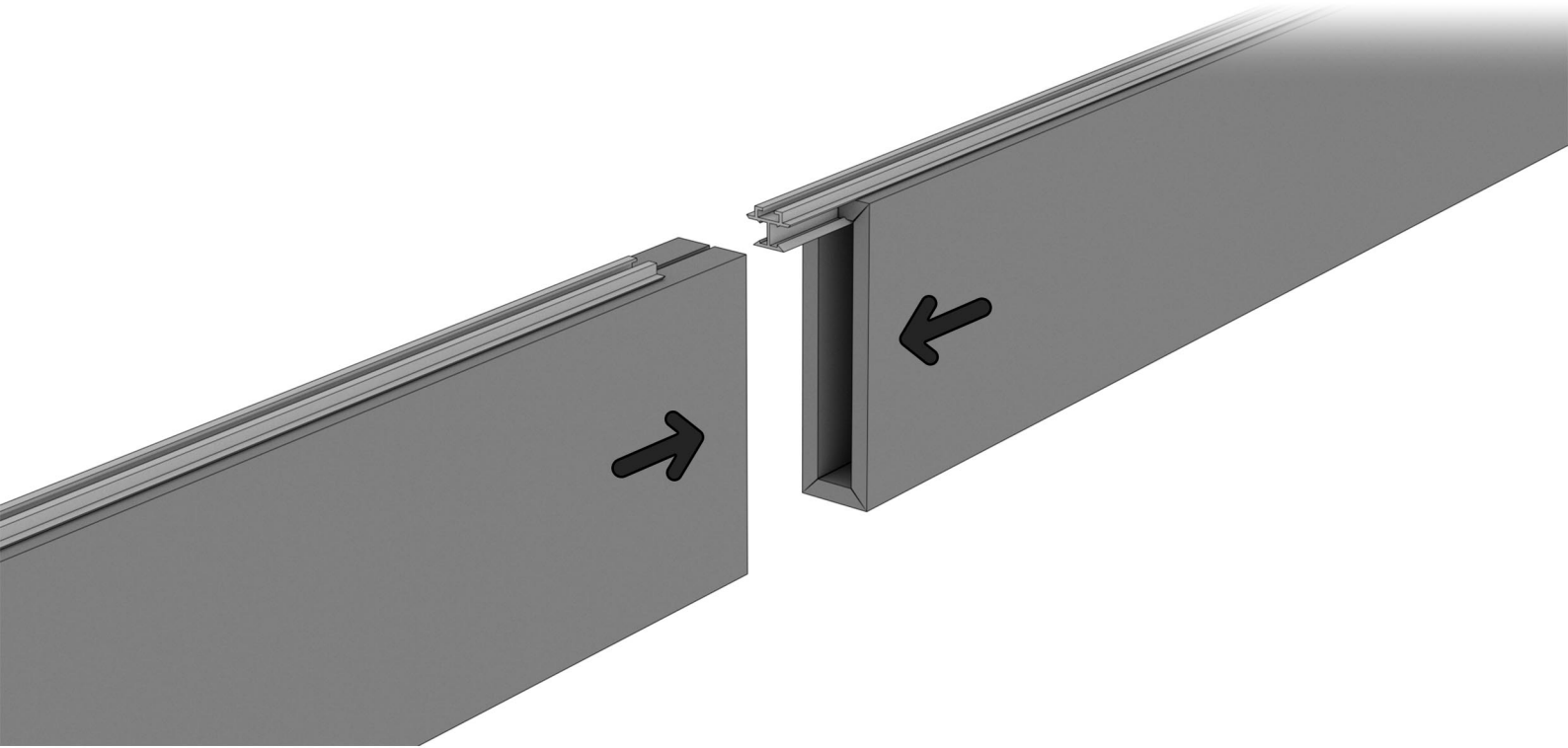


⑧ **Tighten the nut to the screw.**

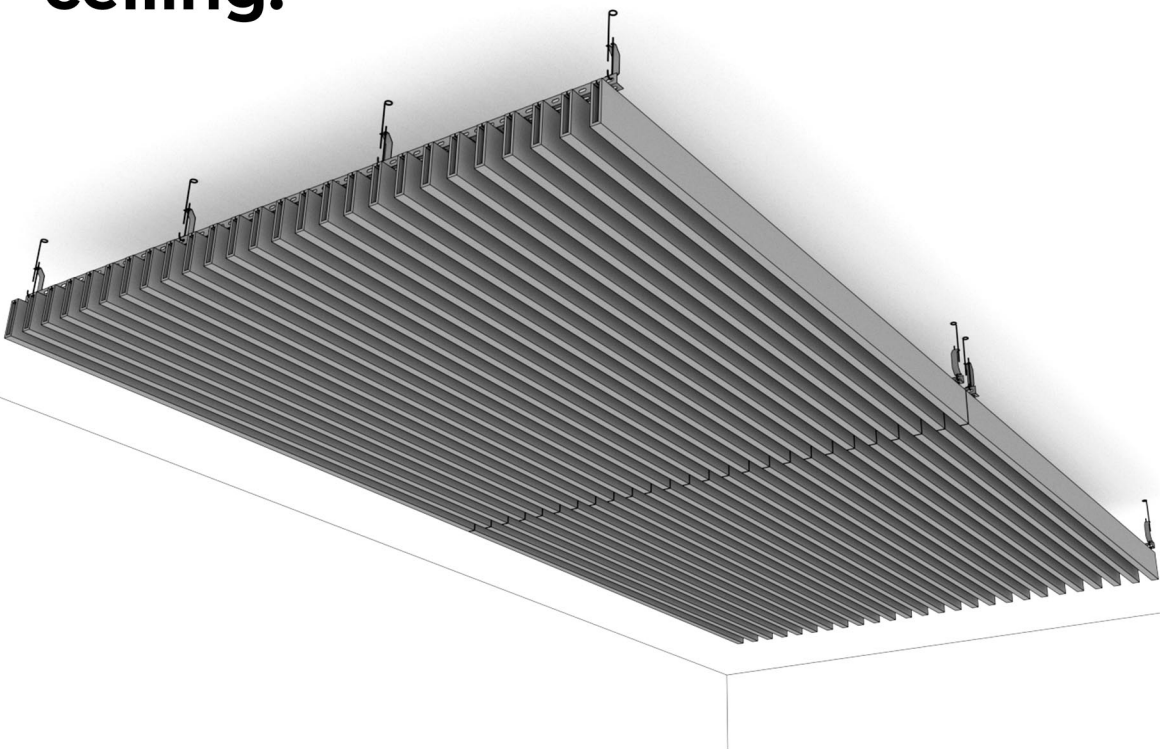




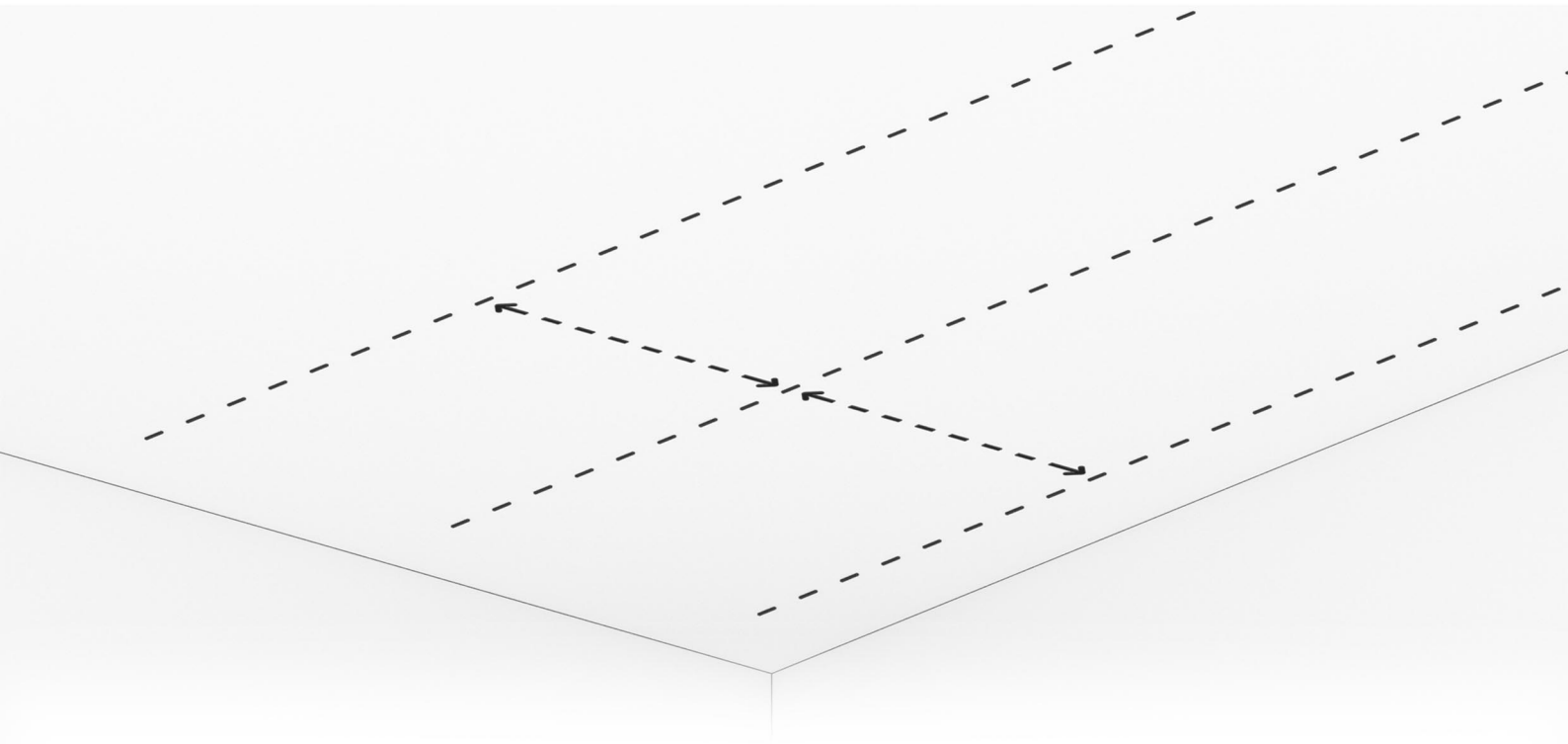
9 **When two Baffles aligned - make sure to connect them with a H Profile.**



10 **Repeat the process for the entire ceiling.**



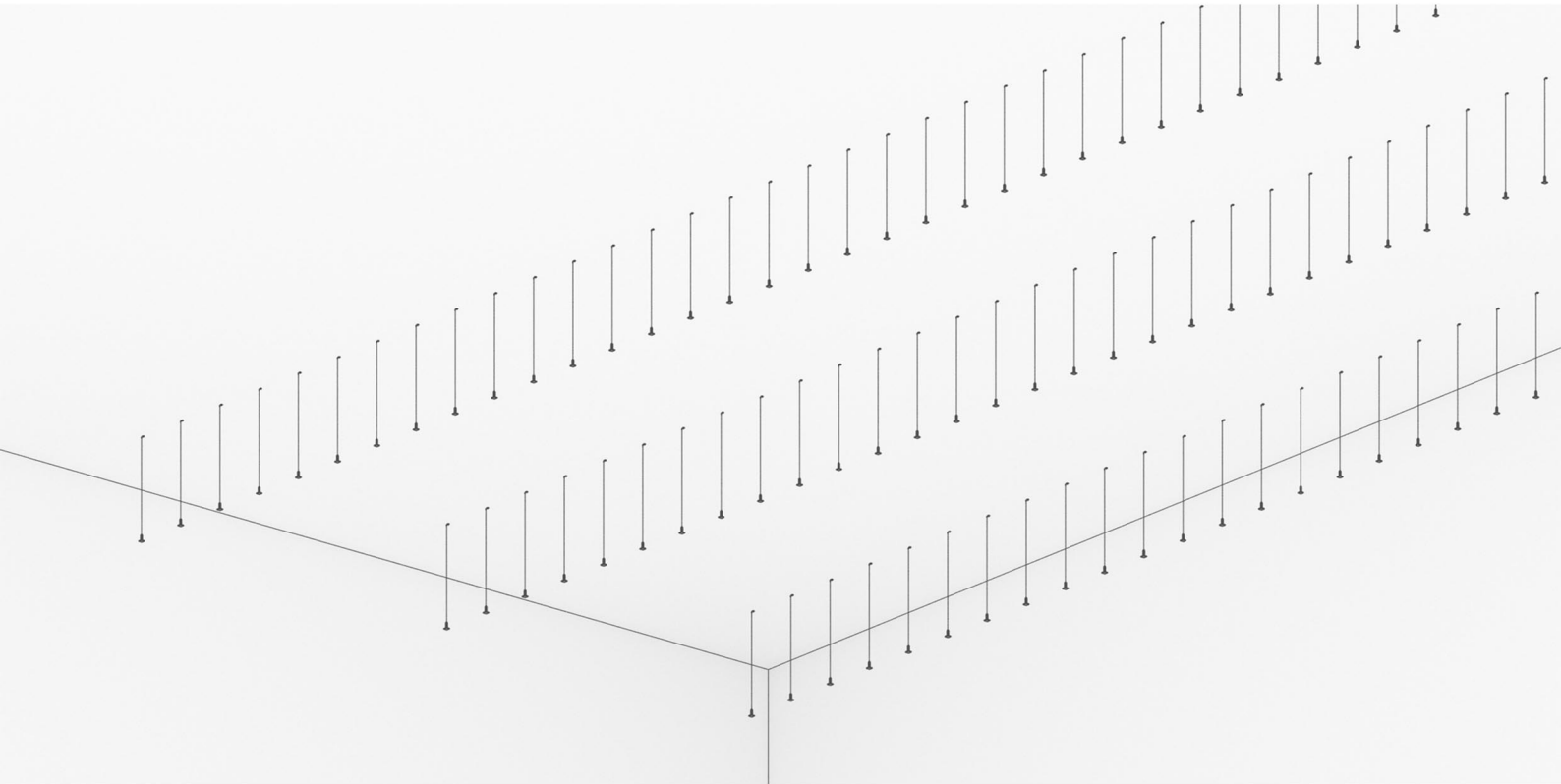
- ① **Mark the ceiling line on the above ceiling. Keep a gap of 80-120 cm between hanging rows.**



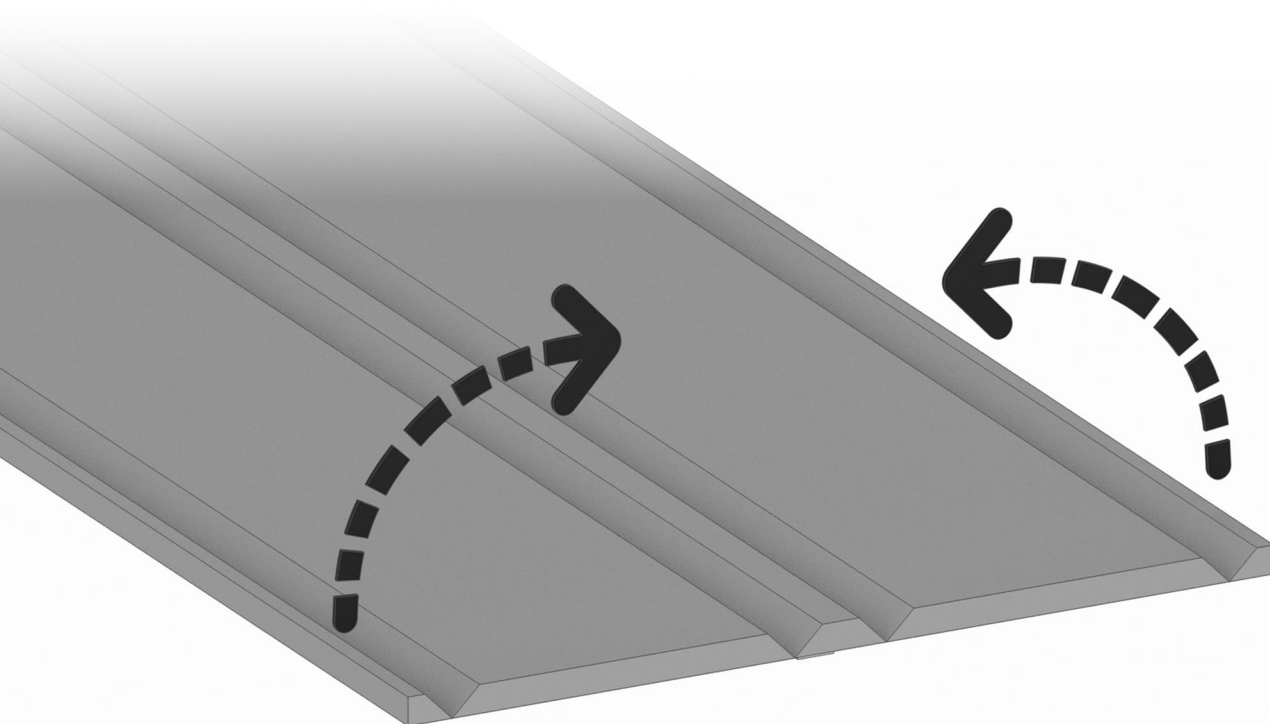
- ② **Install the adjustable hangers accordingly.**



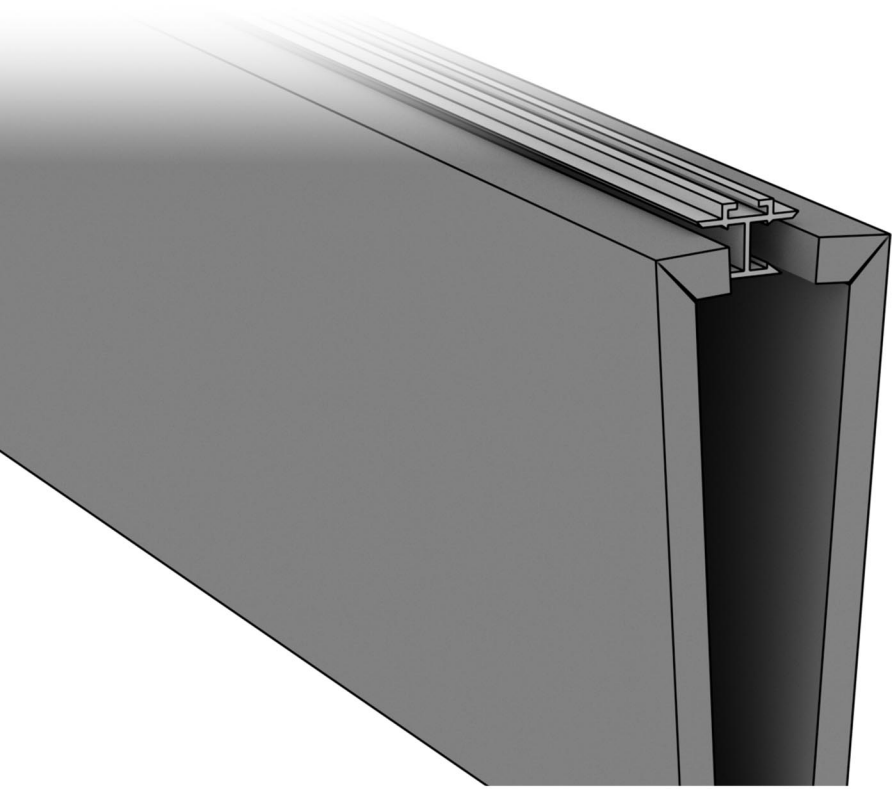
③ **Keep the gap at a consistent distance.**



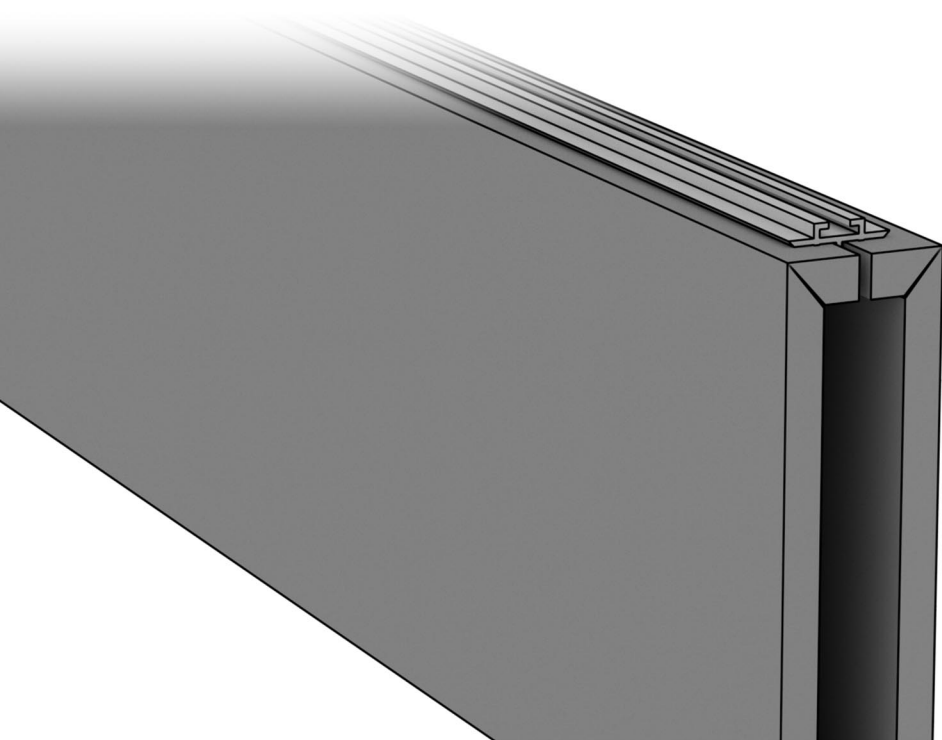
④ **Fold the Baffle Beam in according to the slots**



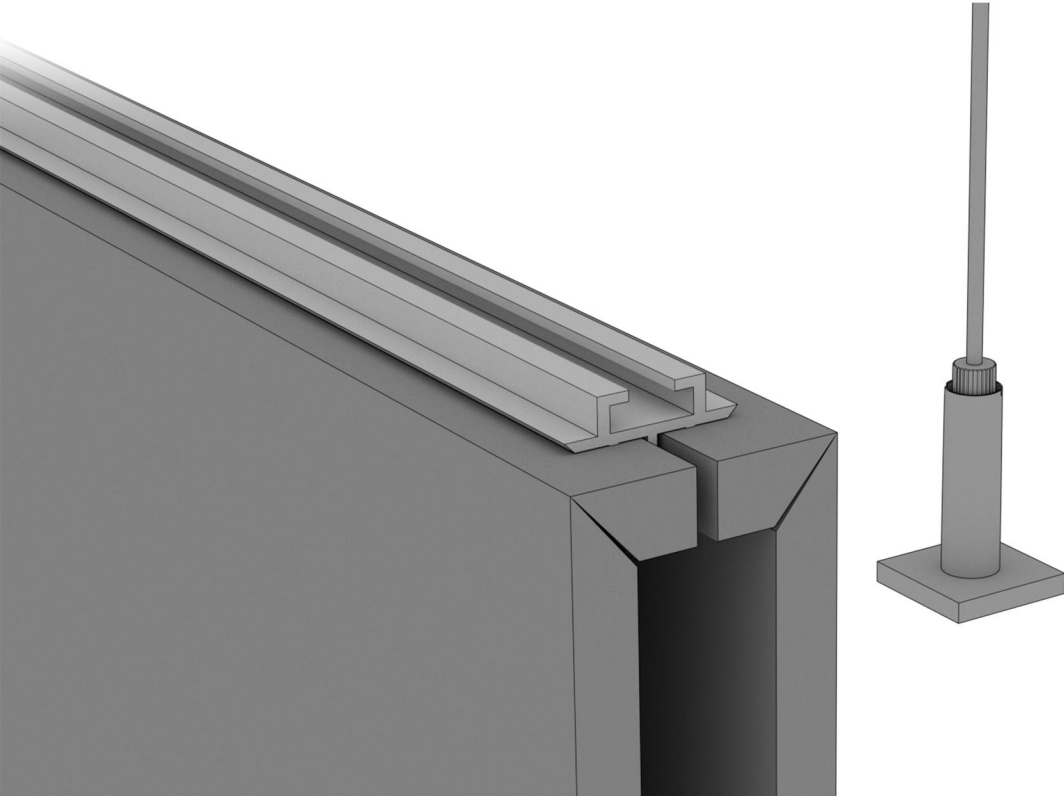
- ⑤ **Insert the H Profile into the Baffles.  
Make sure to do so all the way down.**



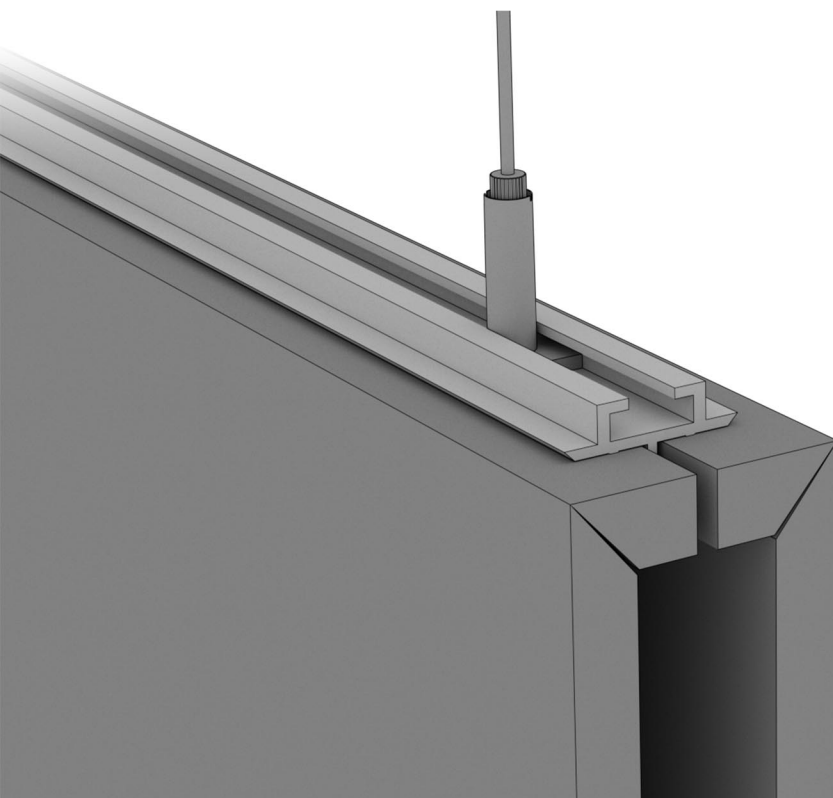
- ⑥ **Close the H Profile into the Baffles.  
Make sure to do so all the way down.**



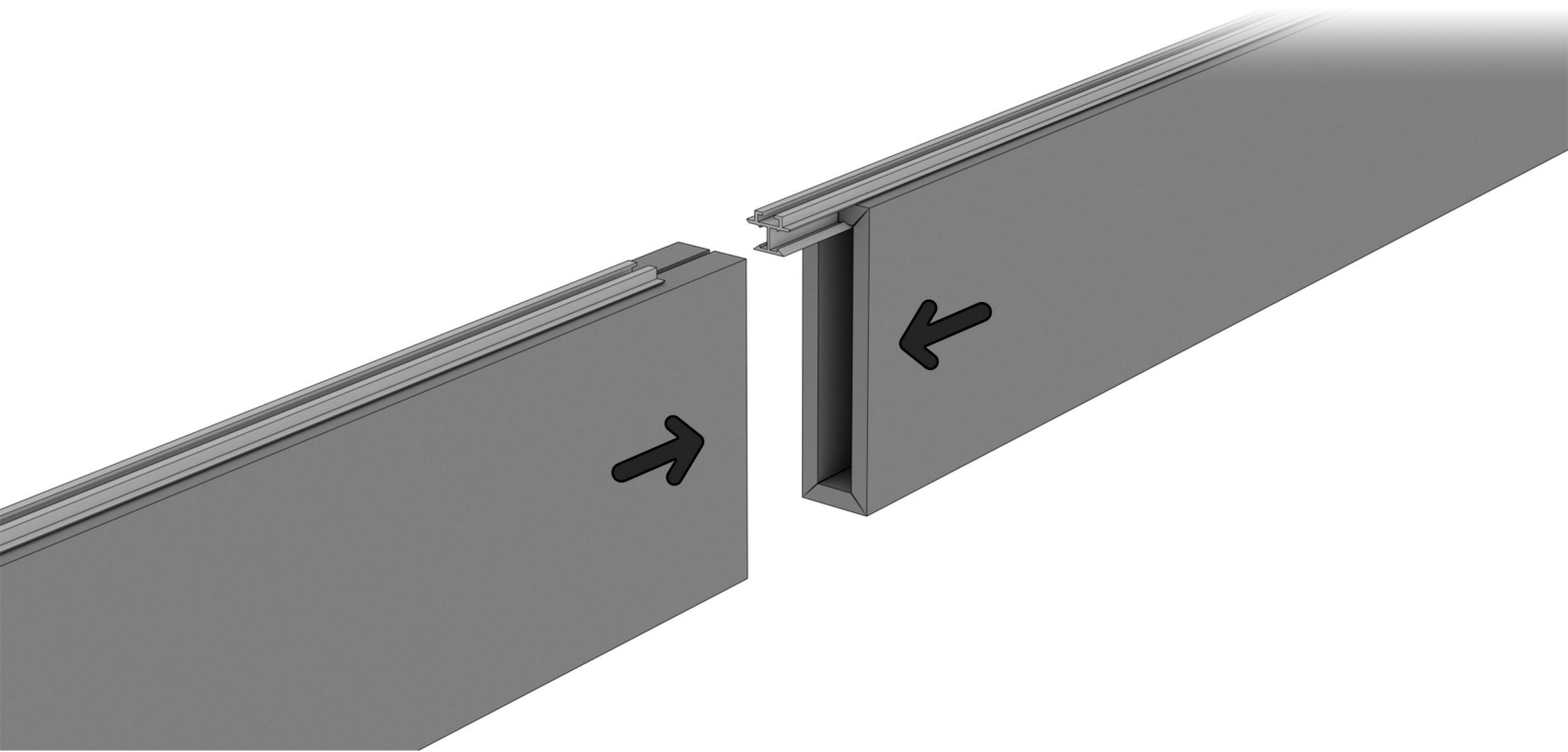
- 7 **Thread the dedicated cable hanging accessory into the U Profile.**



- 8 **Make sure it is properly tightened.**



9 **When two Baffles aligned - make sure to connect them with an H Profile.**



10 **Repeat the process for the entire ceiling.**

